



German Engineering

CATALOGUE 2025

SPRAY GUNS

CUP SYSTEMS

BREATHING PROTECTION

FILTER TECHNOLOGY

ADDITIONAL PRODUCTS

MERCHANDISING ITEMS



Table of Contents

| | | | |
|---|-----------|--|------------|
| Spray Guns | 3 | SATA agitator cup | 106 |
| jet X | 14 | SATA BVD | 108 |
| adam X pro / adam X | 18 | Breathing Protection | 110 |
| SATAjet X 5500 PHASER | 22 | SATA air vision 5000 | 114 |
| SATAjet X 5500 | 24 | SATA vision 2000 | 118 |
| SATAjet X 5500 Clear Coat Edition | 28 | SATA air star C | 120 |
| SATAminijet 4400 B | 30 | Accessories for SATA vision 2000/ SATA air star C | 122 |
| SATAjet 100 B | 34 | air star F 2.0 | 124 |
| SATAjet 1000 B | 36 | SATA air star F | 126 |
| Extensions for SATAjet 1000 B RP | 40 | Filter Technology | 128 |
| SATAjet 1000 B Lignum 3 | 42 | SATA filter 584/564/544/524 | 130 |
| SATA spray master RP | 44 | SATA filter 564/524 | 133 |
| SATAjet 3000 K | 46 | SATA filter 103 prep/101 prep/100 prep | 134 |
| SATAjet 1000 K | 48 | Accessories for SATA filter series | 136 |
| Extensions for SATAjet 1000 K RP | 51 | SATA filter 484/474/444 | 138 |
| SATAminijet 1000 K | 52 | SATA filter 464/434/ 424/414 | 139 |
| Material and air connection SATAjet 3000 K, 1000 K | 54 | Additional products | 140 |
| Material and air connection SATAminijet 1000 K ... | 55 | SATA mini Set 2 | 144 |
| SATAjet K 1800 spray mix | 56 | SATA material pressure tank 10 | 146 |
| SATAjet 1000 H | 58 | SATA material pressure tank 22 | 148 |
| SATAjet H | 60 | SATA material pressure tank 45 | 150 |
| SATAjet 20 B | 62 | SATA vario top spray | 152 |
| SATAglyph 4 | 64 | Material fine pressure regulator | 155 |
| SATA adam 2 | 66 | Rustproofing equipment | 156 |
| SATA QMR, Quick Material Regulator | 68 | SATA clean RCS | 160 |
| Spray gun cases | 70 | SATA clean RCS compact / micro | 162 |
| Accessories for spray guns | 72 | SATA multi clean 2 | 163 |
| Cleaning and Maintenance of Spray Guns | 74 | SATA trueSun | 164 |
| Spare parts for SATA spray guns with gravity flow cup | 76 | SATA dry jet 2 | 166 |
| Nozzle sets and spare parts of discontinued gun models | 80 | SATA hoses | 168 |
| SATAjet X 5500 FUTURE | 83 | Paint suits | 170 |
| SATAjet 5000 B PHASER | 84 | Merchandising items | 172 |
| SATAjet 5000 B | 85 | Merchandising items | 173 |
| SATAjet 4000 B | 87 | | |
| SATAminijet 3000 B HVLP | 88 | | |
| SATAjet B / SATAjet GR | 89 | | |
| Cup Systems | 90 | | |
| RPS - the Original | 92 | | |
| LCS - the Liner | 96 | | |
| Accessories for RPS | 100 | | |
| Gravity flow cup for spray guns | 102 | | |
| RPS / LCS adapter for spray guns | 104 | | |

General Information

Technical Information

As most end-users use quick couplings, SATA spray guns are generally supplied with air inlet 1/4" male thread.

Terms of Delivery

All indicated prices are ex works. They exclude packaging, freight, shipment and insurance cost. The general terms and conditions of delivery and payment apply exclusively. They can be viewed at www.sata.com/LZB. We object to any other purchasing conditions.

Prices

All prices in this list are recommended prices only and will be valid for the indicated period of time. All prices are quoted exclusive of VAT. We reserve the right to change prices at any time and without prior notification.

Small Order Policy

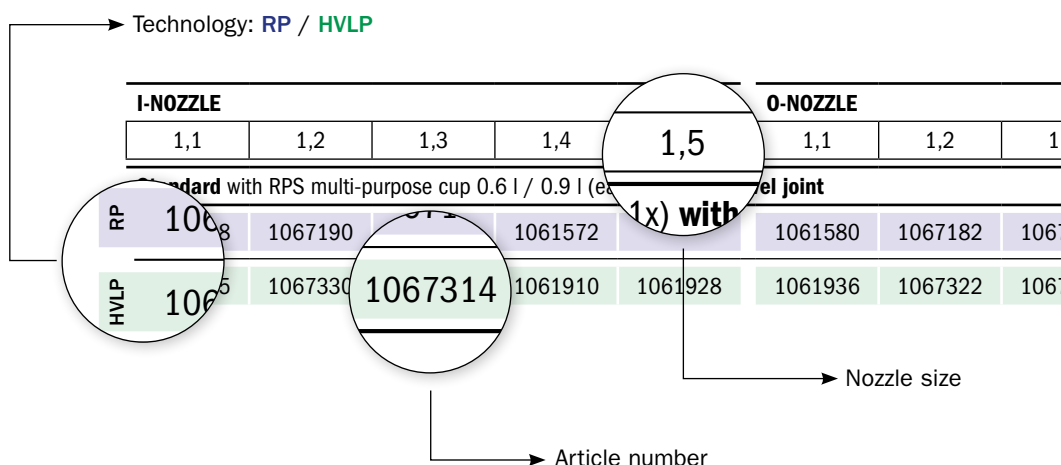
Small orders below a value agreed with the customer (list prices excl. VAT) will be invoiced at gross list prices without discount. In case that nothing has been stipulated with the customer, a minimum order value of 2.500.00 € applies.

Exchange/Return

We only accept return and exchange of products upon prior written authorisation by SATA. Goods for refund must be returned in unused, pristine condition and in their original packaging. Outdated, used or damaged parts will not be accepted for return. For the return of products which have been incorrectly ordered, or for other reasons which we cannot be held responsible for, a charge of 20 % of the net purchase price will be levied to cover inspection and administrative costs. A handling charge of minimum 60.00 € will apply in any case for each transaction.

Errors, technical modifications and printing errors reserved.

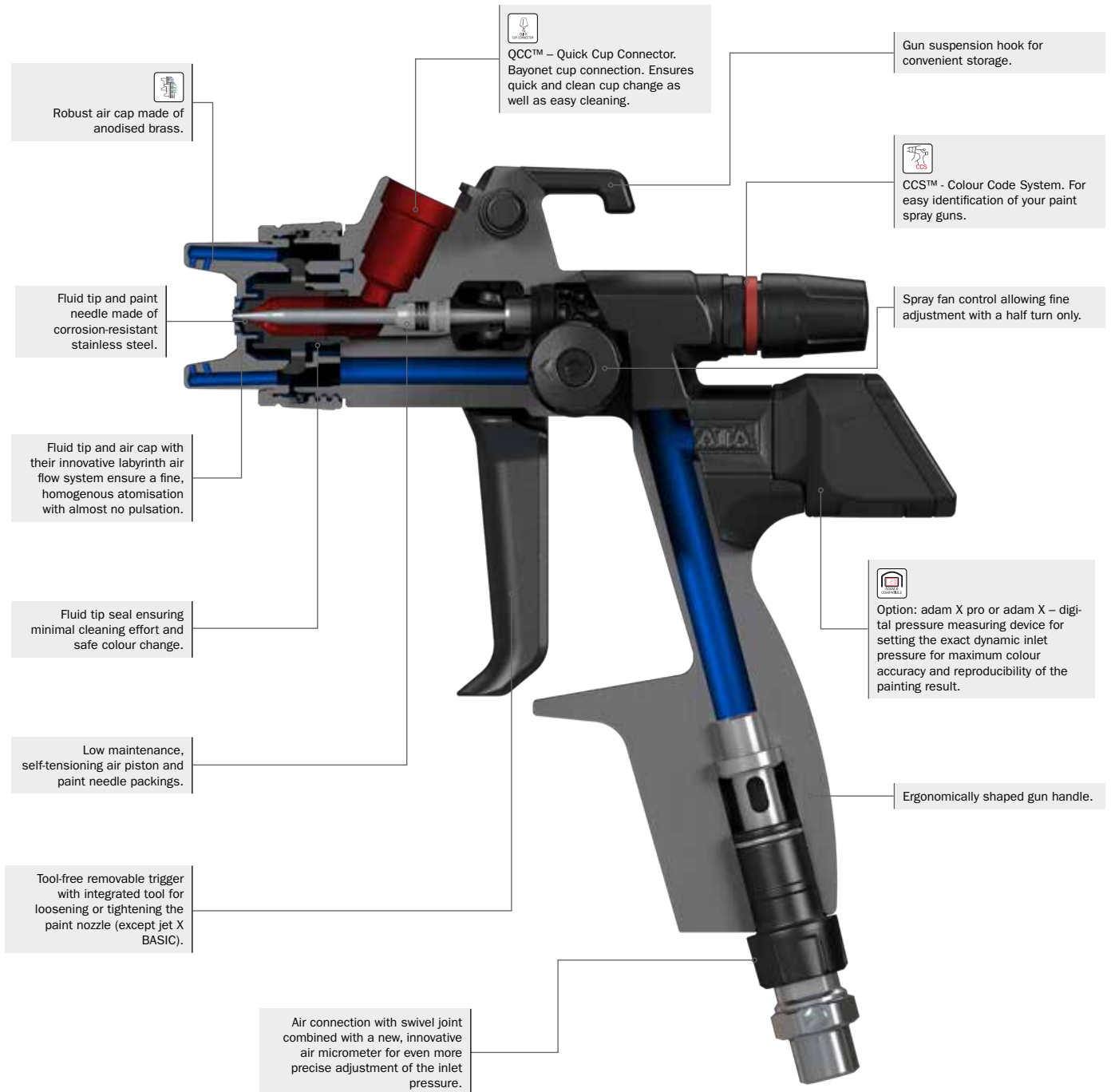
Structure of the Price Sheets



Product classification in condition groups (CG)






- (0) Special items
- (1) Spray guns, filtration technology, blow guns and underbody protection spray guns
- (2) Breathing Protection
- (3) Components, accessories and spare parts for articles belonging to group CG 1, e.g. nozzle sets, gravity flow cups, etc
- (4) Components, accessories and spare parts for articles belonging to groups CG 2 and CG 5
- (5) Pumps, pressure pots, rustproofing equipment, automatic spray guns, dry-blowing systems, cleaning devices and dispensing systems
- (6) Other devices, service
- (7) Industrial equipment
- (8) RPS / LCS cup systems

Spray Guns jet X



Warranty: Talking quality is not enough – we guarantee it: for three years with registration!

| Spray Guns | | Product description | Product advantages |
|---|--|---|--|
|  | jet X 14 | <p>The innovative labyrinth airflow system guides the air in the nozzle so that it exits free of turbulence and pulsation - the result is exceptionally fine and homogeneous atomisation. The optimised material distribution and the even spray pattern with clearly defined fade-out zones result in a controlled and immediate painting feel. The jet X is the new reference in the premium class.</p> | <ul style="list-style-type: none"> • Innovative labyrinth airflow system for outstanding atomisation • Uniform spray pattern with clearly defined fade-out zones • Two jet shapes: "O" (Speed) and "I" (Control) with constant fan dimensions for all nozzle sizes • Available in the following versions: DIGITAL ready, DIGITAL and DIGITAL pro • jet X DIGITAL pro: Display of inlet pressure, operating time and ambient temperature; adjustable target value for the inlet pressure with alarm function; digital dashboard; easy change from bar to psi and from °C to °F and much more |
|  | adam X pro / adam X 18 | <p>The digital unit with the widest range of functions. Together with the jet X DIGITAL ready, the adam X pro supports the painting professional in standardising and reproducing work results at the highest level. It helps avoid painting defects such as uneven material distribution and cloud formation. Operation is based on an innovative operating concept: the various functions are selected by double-tapping the side of the housing or by tilting the gun.</p> | <ul style="list-style-type: none"> • Display of actual and target pressure; can be switched from bar to psi • Display of any deviations in a graphical visualisation with alarm function • Ambient temperature indicator; can be switched from °C to °F • Display of operating hours, painting time and number of trigger pulls • Transfer of data to a digital dashboard |
|  | SATAjet X 5500 PHASER 22 | <p>The PHASER spray gun was developed with its outstanding design, materials and an unique concept for your very special projects. Technically the PHASER is identical to the SATAjet X 5500. It has the same nozzle concept and all the other convincing features that make the SATAjet X 5500 an outstanding spray gun.</p> | <ul style="list-style-type: none"> • Unique design – combined with high-quality materials and detailed solutions • Revolutionary, economical, quiet, consistent – technically identical to the SATAjet X 5500 |
|  | SATAjet X 5500 24 | <p>The SATAjet X 5500 is the SATA paint spray gun for highest demands. With the X nozzle system, painters are able to cope with all paint systems and application recommendations. In addition, the whispering nozzle significantly reduces noise and gives bodyshops a more pleasant painting experience.</p> | <ul style="list-style-type: none"> • Noticeably quieter: Whispering nozzle due to optimised flow geometry • Precise: Optimised material distribution for enhanced spraying uniformity and atomisation with both spray fan shapes • Low maintenance: No air distribution insert required • Consistent: Constant fan size across the entire nozzle spectrum with regular increases of the material flow rate • Efficient: Considerable material savings with the same application method |
|  | SATAjet X 5500 Clear Coat Edition 28 | <p>The SATAjet X 5500 RP 1.3cc is featured with a specifically developed nozzle set for clear coat application. The optimised material distribution in combination with a finer atomisation enables a closed wetting even at low layer thicknesses.</p> | <ul style="list-style-type: none"> • Special clear coat nozzle based on proven I-nozzle technology • Fine, homogeneous atomisation for perfect clearcoat application • Full surface wetting even with thin material layers • I-nozzle jet geometry allows controlled application |

| Spray Guns | Product description | Product advantages |
|---|---|--|
|  | <p>SATAminijet 4400 B 30</p> <p>The SATAminijet 4400 B is perfectly suited for areas that are small or difficult to access. The special SR nozzles are suitable for small repairs (spot repair) on vehicles. All modern paint systems can be applied with this spray gun.</p> | <ul style="list-style-type: none"> • Small and compact: Particularly suitable for smaller areas or hard to reach places • Special spot repair nozzle sets for minor damage repairs to vehicles • Low maintenance, self-adjusting air piston and paint needle packings |
|  | <p>SATAjet 100 B 34</p> <p>The SATAjet 100 B can be used for a wide range of applications in the car refinishing market due to its flexibility in setting the atomisation pressure. Due to the wide spray fan and fine atomisation, fillers and primers can be applied in a continuous flow even with the higher material viscosity. This saves valuable working time due to less sanding effort.</p> | <ul style="list-style-type: none"> • Fine atomisation even at low inlet pressure • Low overspray • Pressure adjustment from 0.5 – 2.0 bar is possible • Smoothly polished, ergonomically optimised gun body • QCC- cup connection • Self-adjusting sealings |
|  | <p>SATAjet 1000 B 36</p> <p>The SATAjet 1000 B gravity fed spray gun has been specifically developed for the LIC/Industrial/wood coatings markets. Thanks to the very wide range of nozzle set sizes, extensions and the possibility to equip with both a pressurized gravity cup or a gravity cup with a pneumatic stirrer almost all available coatings can be sprayed from low-viscosity wood stains and clearcoats to glues and other thixotropic materials.</p> | <ul style="list-style-type: none"> • Allrounder: Thanks to a wide range of nozzles and diverse accessories, a wide variety of materials can be processed excellently • Simplified cleaning: The smooth surface of the spray gun body makes cleaning easier for the user • QC-Quick Change thread: Simple and fast air nozzle change with only 1.5 turns • Also for hard-to-reach areas: Thanks to the available extensions, the SATAjet 1000 B can handle hard-to-reach or narrow and deeper areas without any problem. |
|  | <p>SATAjet 1000 B Lignum 3 42</p> <p>Wood finishing requires a profound understanding of the different types of wood for a perfect surface texture. On top of that, it requires experience as well as the perfect tool. With the SATAjet 1000 B Lignum 3, the carpenter has the best tool to give his workpiece the final touch and to achieve a perfect finish.</p> | <ul style="list-style-type: none"> • Suitable for the application of various materials – waterborne or solvent-based • Sturdy, easy clean surface • Special nozzle sets for the application of different materials, such as adhesives, textured paints, etc. • The use of extensions from 20 – 300 cm with different spray angles is possible for special applications |
|  | <p>SATA spray master RP 44</p> <p>The SATA spray master RP combines trend-setting, low overspray high pressure technology with the advantageous properties of a material pressure supported spray gun. With this unique combination, almost all paint systems of different viscosities up to thick-film glazes can be processed with excellent painting results.</p> | <ul style="list-style-type: none"> • Allround talent: With the pressurised cup and the wide horn nozzle set, practically any material can be perfectly processed in carpentry and painting. • Fine atomisation: the optimised internal nozzle pressure ensures perfect results • High efficiency: the transfer rates are significantly higher than the 65% required by the VOC legislation • Low air consumption - therefore also suitable for small compressors • With the nozzle size "SM" (approx. 1.3) this gun can be used for almost any spray material - only the pressure in the cup has to be adjusted according to the viscosity. |

SPRAY GUNS

CUP SYSTEMS

BREATHING PROTECTION





FILTER TECHNOLOGY

ADDITIONAL PRODUCTS

MERCHANDISING ITEMS

All prices are recommended list prices. Errors, technical modifications and printing errors reserved.

| Spray Guns | Product description | Product advantages |
|---|---|---|
|  | <p>SATAjet 3000 K 46</p> <p>With this high-performance paint spray gun designed for use with remote tanks or pump systems you can achieve high-quality paint jobs on large surfaces. The stretched spray fan with finest material atomization results in a perfect surface quality with homogeneous paint flow. The robustness, the low maintenance requirements and the ergonomic balance of the SATAjet 3000 K are ideal prerequisites for continuous use in industry and trade.</p> | <ul style="list-style-type: none"> • Processing of all paint systems with sprayable viscosity • All material passages are made of stainless steel and are therefore corrosion-resistant • Extremely robust spray gun model with axial round/flat spray control • Ergonomically balanced, easy handling of the control elements |
|  | <p>SATAjet 1000 K 48</p> <p>The compact and lightweight SATAjet 1000 K is the all-rounder among spray guns with material supply from pressure tanks or via double diaphragm pumps. Thanks to the wide range of nozzles, a wide variety of materials such as low-viscosity wood stains, clear coats, textured coats and glazes as well as adhesives and other high-viscosity materials can be excellently processed with this gun.</p> | <ul style="list-style-type: none"> • Can be used for processing a wide variety of materials – water or solvent-based • Comfortable, ergonomically well balanced control elements, such as material flow control, the thumb-adjustable round/flat spray control and integrated air micrometer • QC thread for easy and quick air nozzle change with only 1.5 turns • Special air guides on the horns of the air cap prevent deposits caused by overspray • With extensions in various designs, even hard-to-reach areas can be coated perfectly |
|  | <p>SATAminijet 1000 K 52</p> <p>The SATAminijet 1000 K series has been specifically developed for the industrial coating of small to medium sized lots of small parts under series conditions. This includes, for example, the industrial series coating of small panels and housings, the application of release agents and interior design.</p> | <ul style="list-style-type: none"> • Ergonomic and compact spray gun for small surfaces or areas of difficult access • QC thread for a quick air nozzle change with only 2 turns • Sturdy, easy clean surface |
|  | <p>SATAjet K 1800 spray mix 56</p> <p>SATA introduced the new SATAjet K 1800 spray mix, an innovative new product in the field of ultra-high pressure coating. The new lightweight gun in this spray gun class with its well-balanced gun body combines an optimised ergonomic design with a finely-tuned nozzle range and with the innovative clampLock paint needle system.</p> | <ul style="list-style-type: none"> • Ergonomic design with a well-balanced gun body • Low spray gun weight • Single-axis trigger system for low trigger forces and fatigue-free working • Innovative, two-part clampLock paint needle system • Material connection system for gap or inline filter • Material connection 1/4" - 18 NPSM (male thread) / air connection 1/4" (male thread) |
|  | <p>SATAjet 1000 H 58</p> <p>The SATAjet 1000 H RP is the all-round spray gun for craft and industry in the suction cup version.</p> | <ul style="list-style-type: none"> • With 1 litre aluminum suction cup • Suitable for processing solvent-based materials • QC thread for easy and quick air nozzle change with only 1.5 turns • Easy to clean and corrosion-resistant surface • Robust and very durable |
|  | <p>SATAjet H 60</p> <p>This robust and easy-to-clean spray gun is ideal for top coats and can be used in both industry and trade.</p> | <ul style="list-style-type: none"> • Fine atomization – on large surfaces • High working speed • Continuous round/oval fan control • Integrated air micrometer • Material flow control |

| Spray Guns | Product description | Product advantages |
|---|---|--|
|  <p>SATAjet 20 B 62</p> | <p>The SATAjet 20 B has been designed for use in all areas of creative painting: For all kinds of artbrush applications including graphic design, automotive custom painting, model making, artwork and calligraphy – the results are simply outstanding.</p> | <ul style="list-style-type: none"> • Design spray gun with round spray nozzle • Ideal for right- and left-handed painters • Familiar handling due to spray-gun-like design • Material and air flow control • No tools required to change air connection - works well on horizontal as well as on vertical surfaces • Wide range of nozzle sizes for versatile use • Suitable for water and solvent-based paints |
|  <p>SATAgraph 4 64</p> | <p>The SATA airbrush gun: The SATAgraph 4 is particularly suitable for drawing fine dots as well as filigree lines and contours. It is available in different versions, versatile and easy to use.</p> | <ul style="list-style-type: none"> • Coupled air and material adjustment for safe spray control • Removable needle cap to allow drawing finest lines • Highest precision in various fields of application • Easy handling for fatigue-free work |
|  <p>SATA adam 2 66</p> | <p>The accurate and correct setting of the gun inlet pressure is one of the key requirements to ensure perfect colour matching during the painting process. Whether the pressure is set too low or too high, colour deviations will be the undesired result. The consequences are unnecessary rework disrupting the efficient work flow in bodyshops and substantially higher repair costs. "Incorrect dynamic inlet pressure" can be prevented by using SATA digital spray guns or the accessories SATA adam 2 and SATA adam 2 U. The display can be removed from the spray gun in no time at all; for example to use it on another spray gun with premounted "dock". This makes the SATA adam 2 highly flexible. The display screen always remains in the horizontal centre position ensuring readability of the pressure at all times.</p> | <ul style="list-style-type: none"> • For retrofitting - turns any standard spray gun into a "digital" one • Precise setting and display of the inlet pressure - ensures perfect colour shade reproducibility • The display can be used on several SATA spray guns. SATA adam 2 U also fits on spray guns of other manufacturers - thus, your entire spray gun inventory can be "digitised" cost-efficiently • Extended battery lifetime, easy battery exchange • Display can be attached and removed in no time at all |
|  <p>SATA QMR, Quick Material Regulator 68</p> | <p>The SATA QUICK MATERIAL REGULATOR is mounted on the gun instead of the material quantity regulator. It enables a presetting of a reduced material discharge quantity which can be activated quickly, precisely and reproducibly at the push of a button. The SATA QMR can be retrofitted easily and cost-effectively.</p> | <ul style="list-style-type: none"> • The position of the material quantity regulation and consequently the material flow rate can be adjusted at the push of a button • Helps the user set the required material flow rate quickly and in reproducible fashion • Retrofitting, maintenance-free and easy to operate • Suitable for application processes which require specific, reduced material flow rates on a regular basis • Release function: Simply by pulling, the material flow regulation is being fully released again |



1:01
LOT NO.

1/4" X 1/8"
1/4" O.D. (20mm)

BATA

BATA



Works for you.

Creating a flawless paint finish is a demanding task. It requires skill, experience and a great deal of dedication. It is a job for professionals. With the jet X, we have designed the ideal tool for the job. A paint spray gun that helps you achieve the highest quality – and makes it easier than ever before. A piece of equipment into which all our experience as well as the feedback of the painters have been incorporated. The paint spray gun that works for you.

It has never been so easy to achieve such good results.

The nozzle concept of the jet X is based on the innovative labyrinth airflow system. It guides the air in the nozzle in such a way that it exits each orifice at exactly the same pressure and free of turbulence and pulsation. This enables us to achieve exceptionally fine and homogeneous atomisation - and a new level of surface quality, both for HVLP and RP technology.

The spray pattern remains absolutely uniform over its entire height. It has clearly defined fade-out zones and is easy to handle - for a controlled and immediate application feel.

The secret is in the nozzle.

The jet X nozzles are available in two fan shapes:

The “I”, or “Control”, nozzles produce a longer spray pattern with an even material distribution. They have a slower application speed but offer maximum control.

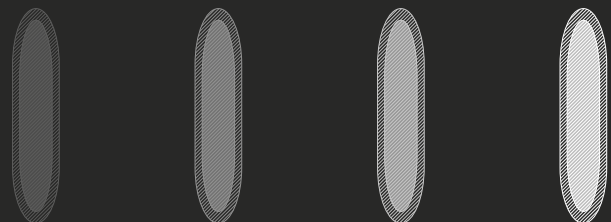
The “O”, or “Speed”, nozzles have an oval fan shape with a larger fade-out zone and a wetter core, which results in a higher application speed.

Balanced - in every respect

The jet X DIGITAL ready is approx. 50 grams lighter than its predecessor, the SATAjet X 5500. The ergonomic gun body sits comfortably in the hand and is balanced so that it does not become top-heavy even with a large filled cup.

Spray fan shapes

I-nozzle "Control" with HVLP/RP



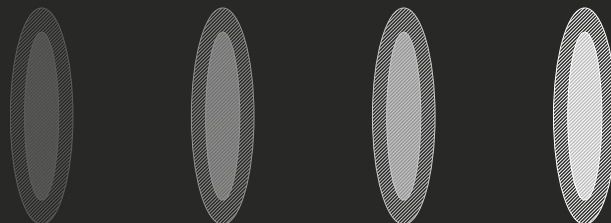
1.1 I

1.2 I

1.3 I

1.4 I

O-nozzle "Speed" with HVLP/RP



1.1 O

1.2 O

1.3 O

1.4 O



Easy to clean: the detachable trigger

The trigger made of technical polymer can be removed in one easy step - without tools and without snap rings. This makes maintenance easier and cleaning more thorough. Clever additional benefit: the integrated tool can be used to loosen or tighten the fluid tip.

3 in 1: the innovative air inlet

The air micrometer for setting the dynamic inlet pressure is located at the air inlet. It allows convenient and precise adjustment of the air pressure. The practical swivel joint is also integrated.

The different versions of the jet X in comparison

| | jet X BASIC* | jet X DIGITAL ready | jet X DIGITAL | jet X DIGITAL pro |
|--|--------------|-----------------------|---------------|-------------------|
| 01. Innovative labyrinth airflow system | X | X | X | X |
| 02. 2 fan shapes: I-nozzle: Control / O-nozzle: Speed | X | X | X | X |
| 03. Air connection with swivel joint and air micrometer | X | X | X | X |
| 04. Trigger with integrated tool for the fluid tip | | X | X | X |
| 05. QAC (Quick Adam Connector) | | X | X | X |
| 06. basic configuration | | adam X/X pro retrofit | adam X | adam X pro |
| 07. Display of inlet pressure | | (1) (2) | X | X |
| 08. Switching between bar/psi | | (1) (2) | X | X |
| 09. Setting of target pressure | | (2) | | X |
| 10. Alarm when ambient temperature falls below 20 degrees and exceeds 30 degrees | | (2) | | X |
| 11. Operating time indicator | | (1) (2) | X | X |
| 12. Ambient temperature indicator | | (1) (2) | X | X |
| 13. Switching between °C/°F | | (1) (2) | X | X |
| 14. Battery status indicator | | (1) (2) | X | X |
| 15. Operating by double-tapping | | (1) (2) | X | X |
| 16. Operating by tilting | | (2) | | X |
| 17. ePaper display | | (2) | | X |
| 18. Data on operating hours, painting time and number of trigger pulls | | (2) | | X |
| 19. Uploading important parameters to the digital dashboard | | (2) | | X |

* Not available in DE, AT, BE, NL, LU, CN
(2) adam X pro

(1) adam X





jet X

RP/HVLP



| Technical Data | RP | HVLP |
|---|---------------|---------------|
| Recommended air inlet pressure | 2,0 bar | 2,0 bar |
| Air inlet pressure field of application | 0,5 - 2,4 bar | 0,5 - 2,4 bar |
| Recommended spraying distance | 17 - 21 cm | 10 - 15 cm |
| Air consumption | 335 NI/min | 445 NI/min |

| I-nozzle | | | | |
|----------------------|---------|---------|---------|---------|
| | 1,1 | 1,2 | 1,3 | 1,4 |
| DIGITAL pro | | | | |
| RP | 1200310 | 1200394 | 1200477 | 1201988 |
| HVLP | 1200039 | 1200112 | 1200196 | 1201946 |
| DIGITAL | | | | |
| RP | 1200302 | 1200386 | 1200469 | 1201970 |
| HVLP | 1200021 | 1200104 | 1200188 | 1201938 |
| DIGITAL ready | | | | |
| RP | 1200328 | 1200401 | 1200485 | 1201962 |
| HVLP | 1200047 | 1200120 | 1200203 | 1200542 |
| BASIC | | | | |
| RP | 1200295 | 1200378 | 1200451 | 1201954 |
| HVLP | 1200013 | 1200097 | 1200170 | 1200534 |
| Nozzle set | | | | |
| RP | 1203992 | 1204015 | 1204031 | 1204073 |
| HVLP | 1204007 | 1204023 | 1204065 | 1204081 |

0-nozzle

| | | | |
|-----|-----|-----|-----|
| 1,1 | 1,2 | 1,3 | 1,4 |
|-----|-----|-----|-----|

DIGITAL pro

| | | | | |
|------|---------|---------|---------|---------|
| RP | 1200352 | 1200435 | 1200518 | 1200576 |
| HVLP | 1200071 | 1200154 | 1200237 | 1200279 |

DIGITAL

| | | | | |
|------|---------|---------|---------|---------|
| RP | 1200344 | 1200427 | 1200500 | 1200568 |
| HVLP | 1200063 | 1200146 | 1200229 | 1200261 |

DIGITAL ready

| | | | | |
|------|---------|---------|---------|---------|
| RP | 1200360 | 1200443 | 1200526 | 1200584 |
| HVLP | 1200089 | 1200162 | 1200245 | 1200287 |

BASIC

| | | | | |
|------|---------|---------|---------|---------|
| RP | 1200336 | 1200419 | 1200493 | 1200550 |
| HVLP | 1200055 | 1200138 | 1200211 | 1200253 |

Nozzle set

| | | | | |
|------|---------|---------|---------|---------|
| RP | 1203869 | 1203885 | 1203900 | 1203926 |
| HVLP | 1203877 | 1203893 | 1203918 | 1203984 |

10X40

| |
|-------|
| 10X40 |
|-------|

DIGITAL pro

| | |
|----|---------|
| RP | 1215583 |
|----|---------|

DIGITAL

| | |
|----|---------|
| RP | 1215608 |
|----|---------|

DIGITAL ready

| | |
|----|---------|
| RP | 1215591 |
|----|---------|

BASIC

| | |
|----|---------|
| RP | 1215616 |
|----|---------|

Nozzle set

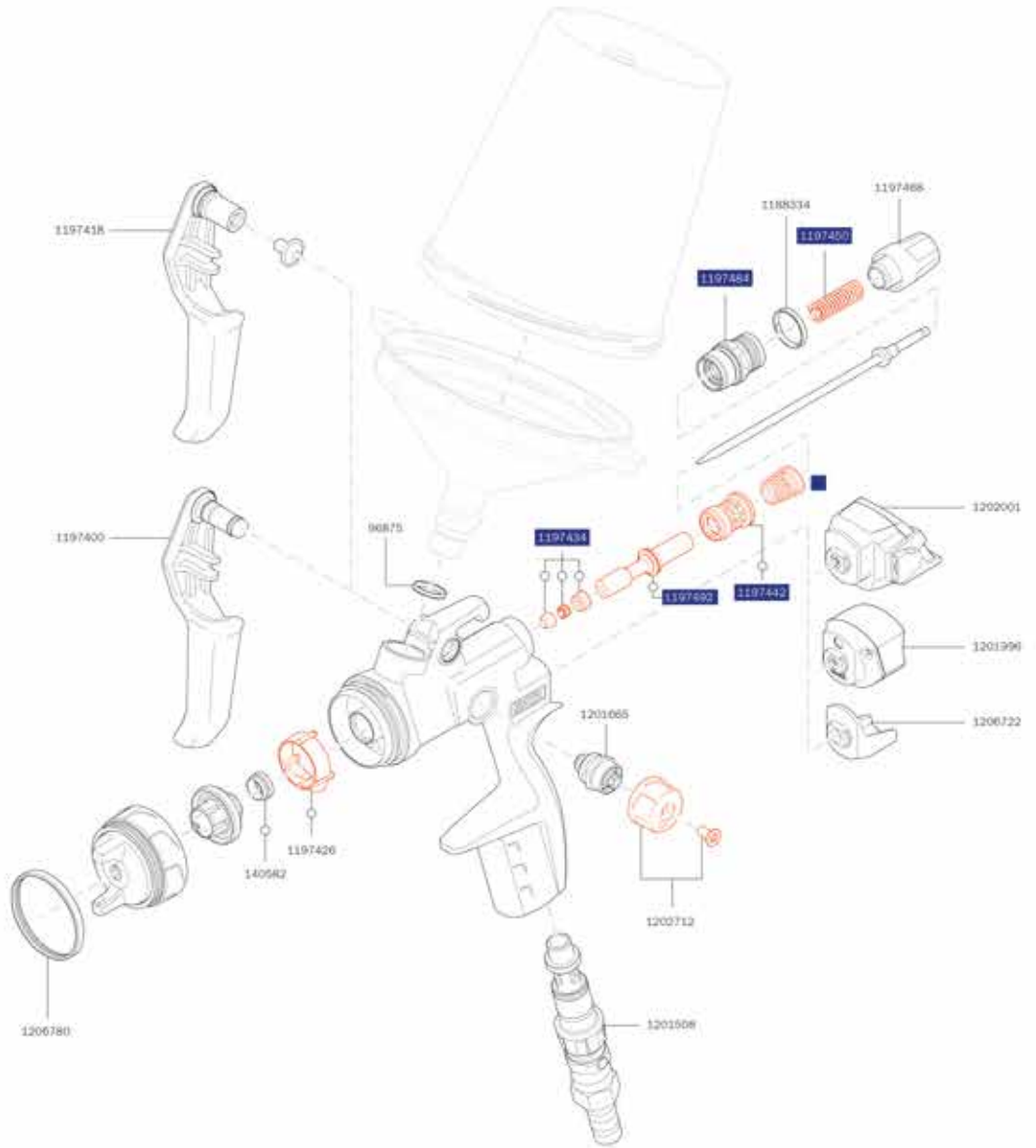
| | |
|----|---------|
| RP | 1215624 |
|----|---------|

SPRAY GUNS
CUP SYSTEMS
BREATHING PROTECTION
FILTER TECHNOLOGY
ADDITIONAL PRODUCTS
MERCHANDISING ITEMS

Spare parts

jet X

| |
|--|
| 1188334 |
| CCS rings, green, blue, red, black and purple (pack of 5 pieces) |
| 1197400 |
| Trigger kit, cpl. |
| 1197418 |
| Trigger kit, cpl. |
| 1197426 |
| Air separation ring |
| 1197434 |
| Paint needle packing |
| 1197442 |
| Cage |
| 1197450 |
| Pressure spring (pack of 3 pieces) for paint needle |
| 1197468 |
| Material flow control |
| 1197484 |
| Locking screw, cpl. |
| 1197492 |
| Air piston head |
| 1201508 |
| Air micrometer, cpl. incl. swivel joint |
| 1201665 |
| Spindle for round / flat spray control |
| 1201996 |
| adam X |
| 1202001 |
| adam X pro |
| 1202712 |
| Control knob with screw (1 piece) |
| 1206722 |
| QAC cover with hand rest |
| 1206780 |
| Kit consisting of coloured marking rings (blue, green) |
| 140582 |
| Sealing element (packing unit 5 pieces) for fluid tip |
| 96875 |
| PVC insert for paint spray guns with QCC cup connection |



Tool kit

1183631
Universal spanner, combi tool, cleaning brush



Repair kit

- 1203562
Repair kit
- 1204461
Service unit air axis
- 1203554
Sealing kit



jetX

SATA

adam X pro / adam X

adam X pro

1202001
adam X pro for jet X, except BASIC



adam X

1201996
adam X for jet X, except BASIC



Spare parts

1203463
Battery set for adam x



1203497
Battery set for adam x pro



1206722
QAC cover with hand rest for jet X



1206756
Transport and discharge protection for adam X pro



SPRAY GUNS

CUP SYSTEMS

BREATHING PROTECTION

FILTER TECHNOLOGY

ADDITIONAL PRODUCTS

MERCHANDISING ITEMS



A digital world for jet X

The jet X is the most advanced paint spray gun from SATA. With its innovative nozzle concept, it achieves a new outstanding surface quality for basecoats and clearcoats. It helps you achieve better finishes more easily.

The digital units of the adam X series allow you to standardise and reproduce these results at a high level. With their diverse functions, they support you in making processes transparent and avoiding errors. The adam X and adam X pro can be used on all digital versions of the jet X.

The adam X

The adam X is SATA's entry into the digital world of painting. It is particularly compact and clearly laid out - and is particularly suitable for those who primarily want to use the basic functions.

The adam X shows the inlet flow pressure, the ambient temperature, the operating time and the battery status. The menu items are selected with a tap on the housing - simple and practical, even with gloves.

The adam X pro

The adam X pro offers an unprecedented range of digital functions. This helps the professional in the paint booth analyse and control the painting process – with an unprecedented level of information and accuracy.

This is far more than just “luxury”: data analysis helps the painter to improve. It helps to optimise results and avoid painting errors such as uneven material distribution and cloud formation thanks to precisely reproducible parameters.

The operation of the device follows a concept that was developed with the conditions in the paint booth in mind. It is completely new - but you can familiarise yourself with it in just a few minutes: the various functions are selected by double-tapping the side of the housing or by tilting the gun.

| | adam X | adam X pro |
|---|--------|------------|
| 01. Mounting on the QAC without docking station | X | X |
| 02. Inlet pressure indicator | X | X |
| 03. Conversion bar/psi | X | X |
| 04. Target pressure input | X | X |
| 05. Alarm function for when system exceeds or falls below the target pressure | | X |
| 06. Operating time indicator | X | X |
| 07. Ambient temperature indicator | X | X |
| 08. Switching between °C/°F | X | X |
| 09. Battery status indicator | X | X |
| 10. Operating by double-tapping | X | X |
| 11. Operating by tilting | | X |
| 12. ePaper display | | X |
| 13. Data on operating hours, painting time and number of trigger pulls | | X |
| 14. Uploading important parameters to the digital dashboard | | X |





SATAjet X 5500 PHASER

RP/HVLP



| Technical Data | RP | HVLP |
|---|---------------|---------------|
| Recommended air inlet pressure | 2,0 bar | 2,0 bar |
| Air inlet pressure field of application | 0,5 - 2,4 bar | 0,5 - 2,4 bar |
| Recommended spraying distance | 17 - 21 cm | 10 - 15 cm |
| Air consumption | 290 NI/min | 430 NI/min |

I-nozzle

| 1,2 | 1,3 | 1,4 |
|-----|-----|-----|
|-----|-----|-----|

Spray gun with RPS multi-purpose cup 0.6 l / 0.9 l (each 1x)

| | | | |
|------|---------|---------|---------|
| RP | 1096066 | 1096074 | 1150002 |
| HVLP | 1096157 | 1096149 | 1096131 |

Nozzle set

| | | | |
|------|---------|---------|---------|
| RP | 1096181 | 1096199 | 1150028 |
| HVLP | 1096272 | 1096264 | 1096256 |

O-nozzle

| 1,2 | 1,3 | 1,4 |
|-----|-----|-----|
|-----|-----|-----|

Spray gun with RPS multi-purpose cup 0.6 l / 0.9 l (each 1x)

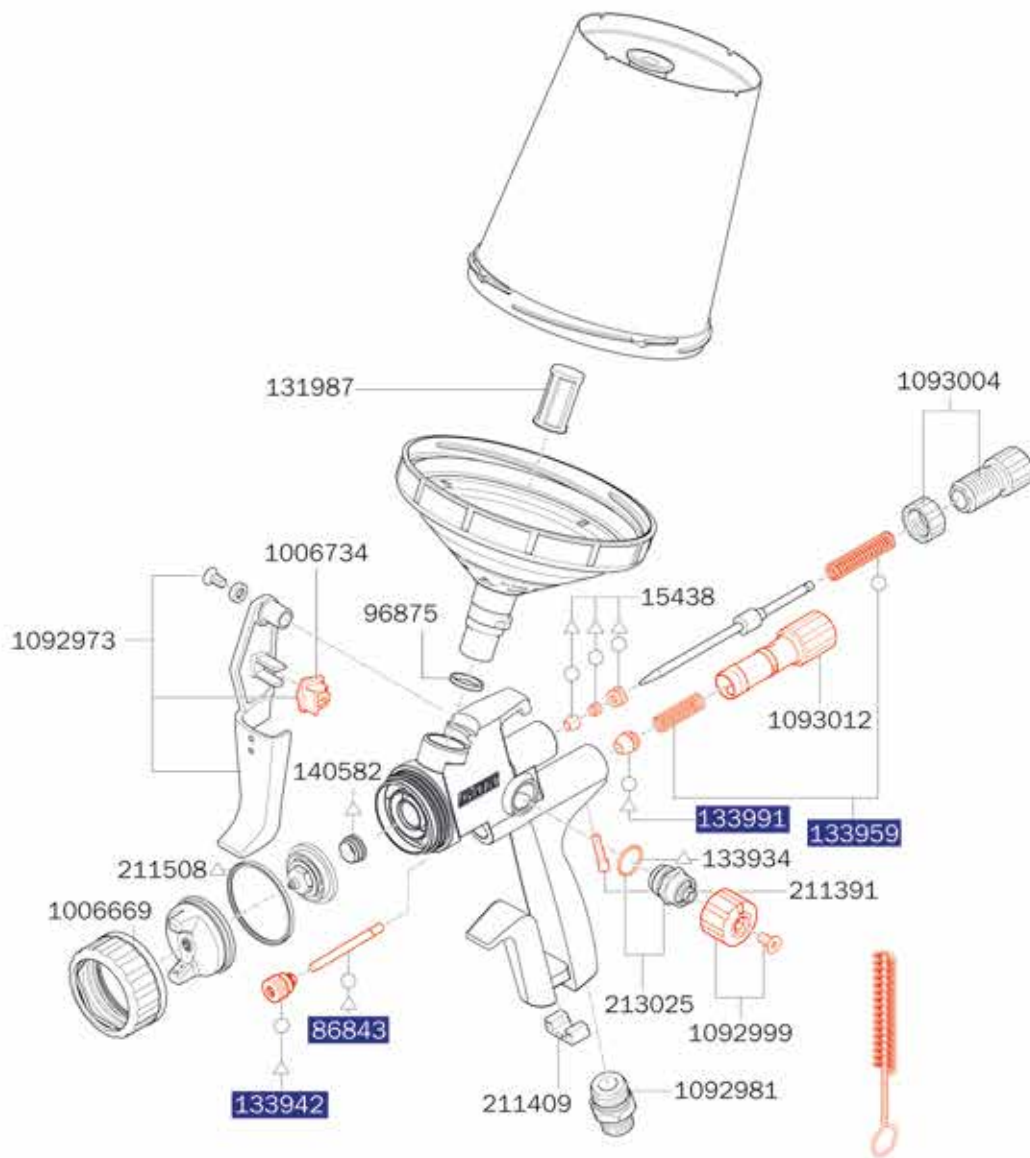
| | | | |
|------|---------|---------|---------|
| RP | 1096090 | 1096082 | 1150010 |
| HVLP | 1096107 | 1096115 | 1096123 |

Nozzle set

| | | | |
|------|---------|---------|---------|
| RP | 1096214 | 1096206 | 1150036 |
| HVLP | 1096222 | 1096230 | 1096248 |

Spare parts
SATAjet X 5500
PHASER

| | |
|---------|--|
| 1006669 | Kit consisting of coloured marking rings (blue, green, black, packing unit each 1 piece) |
| 1006734 | Trigger fixing clip |
| 1092973 | Trigger kit |
| 1092981 | Air connection piece 1/4" male thread |
| 1092999 | Control knob with screw (pack of 2 pieces) |
| 1093004 | Material flow control with counter nut |
| 1093012 | Air micrometer |
| 1097379 | Universal spanner (pack of 3 pieces) |
| 131987 | Spare plug-in sieve 200 µm, pastel green (packing unit 100 pieces) |
| 133934 | Sealing (packing unit 3 pieces) for spindle |
| 133942 | Seal retainer, cpl. |
| 133959 | Pressure spring (3 pieces) for paint needle and air piston |
| 133991 | Air piston head (packing unit 3 pieces) |
| 140582 | Sealing element (packing unit 5 pieces) for fluid tip |
| 15438 | Paint needle packing |
| 211391 | Locking screw (packing unit 3 pieces) for air micrometer |
| 211409 | CCS-Clips, green, blue, red, black (packing unit 4 pieces) |
| 211508 | Sealing ring (packing unit 5 pieces) |
| 213025 | Spindle, cpl., for round / flat spray control |
| 86843 | Air piston rod |
| 96875 | PVC insert for paint spray guns with QCC cup connection |



Tool kit

1057323
Universal spanner, combi tool, cleaning brush, CCS clips, paint strainer



Repair kit

- 1093020
Repair kit
- 82552
Air piston service unit
- o 136960
Sealing kit
- △ 1173286
Maintenance Set

SATAjet X 5500

RP/HVLP



| Technical Data | RP | HVLP |
|---|---------------|---------------|
| Recommended air inlet pressure | 2,0 bar | 2,0 bar |
| Air inlet pressure field of application | 0,5 - 2,4 bar | 0,5 - 2,4 bar |
| Recommended spraying distance | 17 - 21 cm | 10 - 15 cm |
| Air consumption | 290 NI/min | 430 NI/min |

I-nozzle

| | 1,1 | 1,2 | 1,3 | 1,4 | 1,5 | 1,6 | 1,8 |
|--|-----|-----|-----|-----|-----|-----|-----|
|--|-----|-----|-----|-----|-----|-----|-----|

Non DIGITAL with RPS multi-purpose cup 0.6 l / 0.9 l (each 1x) with swivel joint

| | | | | | | | |
|------|---------|---------|---------|---------|---------|---------|---------|
| RP | 1061548 | 1061556 | 1061564 | 1061572 | 1106534 | 1106542 | 1126889 |
| HVLP | 1061895 | 1061902 | 1061887 | 1061910 | 1061928 | - | - |

DIGITAL with RPS multi-purpose cup 0.6 l / 0.9 l (each 1x) with swivel joint

| | | | | | | | |
|------|---------|---------|---------|---------|---------|---|---|
| RP | 1061621 | 1061647 | 1061697 | 1061712 | - | - | - |
| HVLP | 1061994 | 1061879 | 1062025 | 1062033 | 1062067 | - | - |

Nozzle set

| | | | | | | | |
|------|---------|---------|---------|---------|---------|---------|---------|
| RP | 1063536 | 1063544 | 1063552 | 1063560 | 1106493 | 1106526 | 1125120 |
| HVLP | 1063619 | 1063627 | 1063635 | 1063651 | 1063669 | - | - |

0-nozzle

| | | | | | | |
|-----|-----|-----|-----|-----|-----|-----|
| 1,1 | 1,2 | 1,3 | 1,4 | 1,5 | 1,6 | 1,8 |
|-----|-----|-----|-----|-----|-----|-----|

Non DIGITAL with RPS multi-purpose cup 0.6 l / 0.9 l (each 1x) with swivel joint

| | | | | | | | |
|------|---------|---------|---------|---------|---------|---------|---------|
| RP | 1061580 | 1061598 | 1061605 | 1061613 | 1106550 | 1106568 | 1126897 |
| HVLP | 1061936 | 1061944 | 1061952 | 1061960 | 1061978 | - | - |

DIGITAL with RPS multi-purpose cup 0.6 l / 0.9 l (each 1x) with swivel joint

| | | | | | | | |
|------|---------|---------|---------|---------|---------|---|---|
| RP | 1061746 | 1061788 | 1061803 | 1061829 | - | - | - |
| HVLP | 1062075 | 1062108 | 1062124 | 1062158 | 1062166 | - | - |

Nozzle set

| | | | | | | | |
|------|---------|---------|---------|---------|---------|---------|---------|
| RP | 1063578 | 1063586 | 1063594 | 1063601 | 1106500 | 1106518 | 1125138 |
| HVLP | 1063677 | 1063685 | 1063643 | 1063693 | 1063700 | - | - |

10/40

| |
|-------|
| 10/40 |
|-------|

Non DIGITAL with RPS multi-purpose cup 0.6 l / 0.9 l (each 1x) with swivel joint

| | |
|----|---------|
| RP | 1202663 |
|----|---------|

DIGITAL with RPS multi-purpose cup 0.6 l / 0.9 l (each 1x) with swivel joint

| | |
|----|---------|
| RP | 1202803 |
|----|---------|

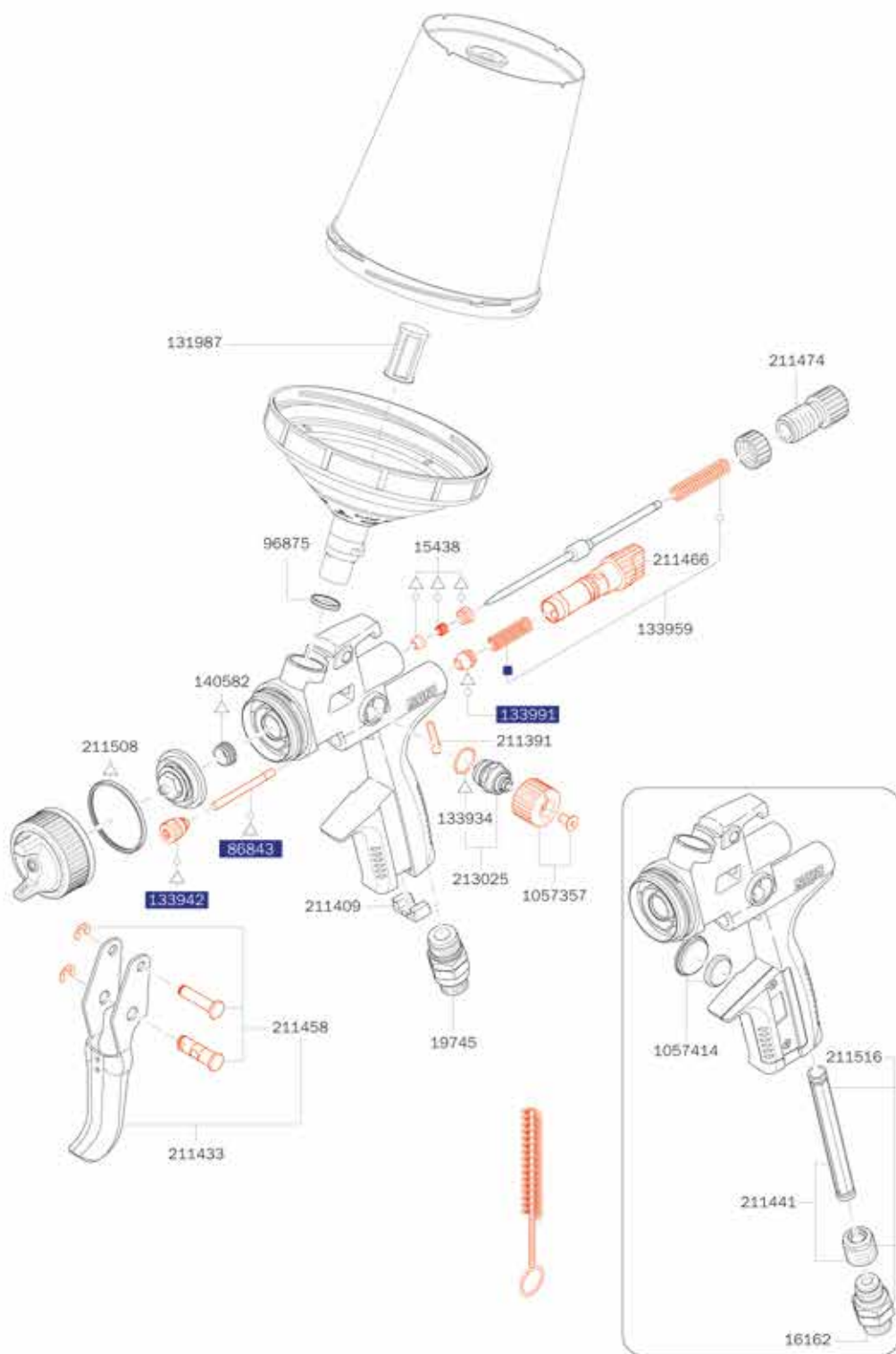
Nozzle set

| | |
|----|---------|
| RP | 1202233 |
|----|---------|

Spare parts

SATAjet X 5500

| |
|--|
| 1057357 |
| Control knob with screw (2 pieces each) |
| 1057414 |
| Battery kit |
| 1097379 |
| Universal spanner (pack of 3 pieces) |
| 131987 |
| Spare plug-in sieve 200 µm, pastel green (packing unit 100 pieces) |
| 133934 |
| Sealing (packing unit 3 pieces) for spindle |
| 133942 |
| Seal retainer, cpl. |
| 133959 |
| Pressure spring (3 pieces) for paint needle and air piston |
| 133991 |
| Air piston head (packing unit 3 pieces) |
| 140582 |
| Sealing element (packing unit 5 pieces) for fluid tip |
| 15438 |
| Paint needle packing |
| 16162 |
| Swivel joint |
| 19745 |
| Swivel joint |
| 211391 |
| Locking screw (packing unit 3 pieces) for air micrometer |
| 211409 |
| CCS-Clips, green, blue, red, black (packing unit 4 pieces) |
| 211433 |
| Trigger kit |
| 211441 |
| Seal retainer with sleeve |
| 211458 |
| Trigger sleeve kit |
| 211466 |
| Air micrometer |
| 211474 |
| Material flow control with counter nut |
| 211508 |
| Sealing ring (packing unit 5 pieces) |
| 211516 |
| Swivel joint with seal retainer and sleeve |
| 213025 |
| Spindle, cpl., for round / flat spray control |
| 86843 |
| Air piston rod |
| 96875 |
| PVC insert for paint spray guns with QCC cup connection |



Tool kit

1057323
Universal spanner, combi tool, cleaning brush, CCS clips, paint strainer



Repair kit

- 1047522
Repair kit
- 82552
Air piston service unit
- 136960
Sealing kit
- △ 1173286
Maintenance Set





SATAjet X 5500 Clear Coat Edition

| Technical Data | RP |
|---|---------------|
| Recommended air inlet pressure | 2,0 bar |
| Air inlet pressure field of application | 0,5 - 2,4 bar |
| Recommended spraying distance | 17 - 21 cm |
| Air consumption | 290 NI/min |

Spray gun

1185893

SATAjet X 5500 RP Clearcoat Edition DIGITAL bar, nozzle 1.3cc, RPS multi purpose cup 0.6 l / 0.9 l (each 1x), swivel joint

1174573

SATAjet X 5500 RP Clearcoat Edition nozzle 1.3cc RPS multi purpose cup 0.6 l / 0.9 l (each 1x), with swivel joint

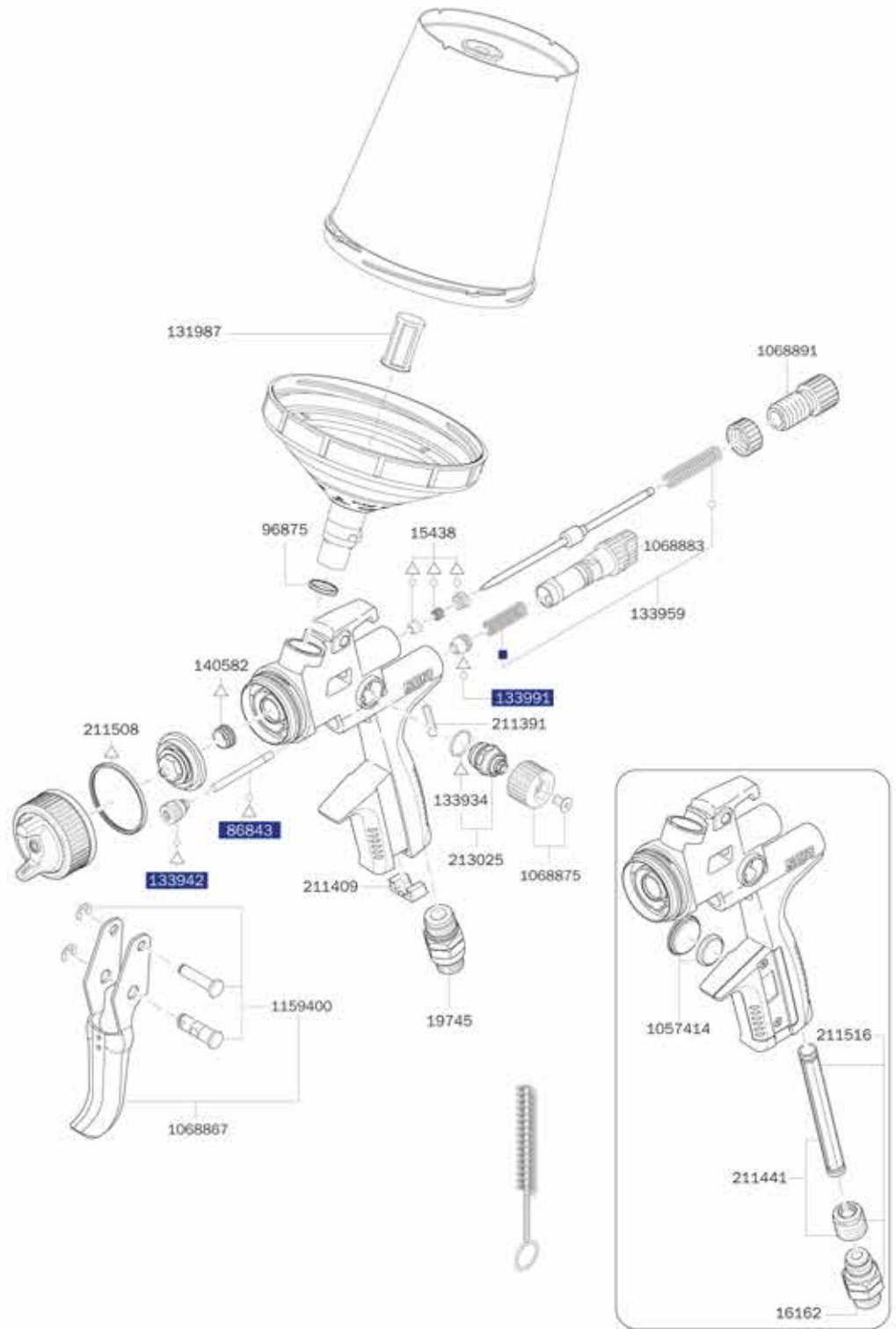
Nozzle set

1174606

Nozzle set SATAjet X 5500 RP 1,3cc

Spare parts
SATAjet X 5500
Clear Coat Edition

| |
|--|
| 1057414 |
| Battery kit |
| 1097379 |
| Universal spanner (pack of 3 pieces) |
| 1159400 |
| Trigger sleeve kit, black |
| 131987 |
| Spare plug-in sieve 200 µm, pastel green (packing unit 100 pieces) |
| 133934 |
| Sealing (packing unit 3 pieces) for spindle |
| 133942 |
| Seal retainer, cpl. |
| 133959 |
| Pressure spring (3 pieces) for paint needle and air piston |
| 133991 |
| Air piston head (packing unit 3 pieces) |
| 140582 |
| Sealing element (packing unit 5 pieces) for fluid tip |
| 15438 |
| Paint needle packing |
| 16162 |
| Swivel joint |
| 19745 |
| Swivel joint |
| 211391 |
| Locking screw (packing unit 3 pieces) for air micrometer |
| 211409 |
| CCS-Clips, green, blue, red, black (packing unit 4 pieces) |
| 211441 |
| Seal retainer with sleeve |
| 211508 |
| Sealing ring (packing unit 5 pieces) |
| 211516 |
| Swivel joint with seal retainer and sleeve |
| 213025 |
| Spindle, cpl., for round / flat spray control |
| 86843 |
| Air piston rod |
| 96875 |
| PVC insert for paint spray guns with QCC cup connection |



Tool kit

1057323
 Universal spanner, combi tool, cleaning brush, CCS clips, paint strainer

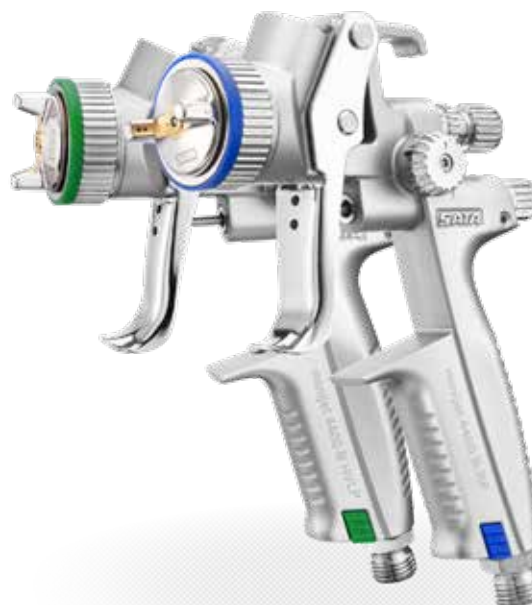


Repair kit

- 136960
Sealing kit
- 82552
Air piston service unit
- 1173286
Maintenance Set

SATAmijnjet 4400 B

RP/HVLP



| Technical Data | RP | HVLP |
|---|---------------|---------------|
| Recommended air inlet pressure | 2,5 bar | 2,0 bar |
| Air inlet pressure field of application | 0,5 - 2,5 bar | 0,5 - 2,0 bar |
| Recommended spraying distance | 12 - 19 cm | 12 - 15 cm |
| Air consumption | 200 NI/min | 120 NI/min |

| 0,3 SR | 0,8 SR | 1,0 SR | 1,2 SR | 1,3 SR | 1,4 SR | 0,3 | 0,5 |
|--------|--------|--------|--------|--------|--------|-----|-----|
|--------|--------|--------|--------|--------|--------|-----|-----|

Spot-Repair with RPS multi-purpose cup 0.3 l (2x)

| | | | | | | | | |
|------|---------|--------|--------|--------|---------|--------|---|---|
| RP | 1114149 | 202390 | 198358 | 198366 | 1065136 | - | - | - |
| HVLP | - | 198168 | 198176 | 198184 | - | 198192 | - | - |

Spot Repair with 125 ccm QQC reusable plastic gravity flow cup

| | | | | | | | | |
|------|---|--------|--------|--------|---|--------|---|---|
| RP | - | 198200 | 198218 | 198226 | - | - | - | - |
| HVLP | - | 198069 | 198077 | 198085 | - | 198093 | - | - |

Spray gun with 125 ccm QQC reusable plastic gravity flow cup

| | | | | | | | | |
|------|---|---|---|---|---|---|--------|--------|
| RP | - | - | - | - | - | - | - | 202416 |
| HVLP | - | - | - | - | - | - | 197970 | 197988 |

Nozzle set

| | | | | | | | | |
|------|---------|--------|--------|--------|---------|--------|--------|--------|
| RP | 1114131 | 201285 | 201293 | 201301 | 1065037 | - | - | 202408 |
| HVLP | - | 201244 | 201251 | 201269 | - | 201277 | 201194 | 201202 |

| 0,8 | 1,0 | 1,1 | 1,4 | 1,6 | | | |
|-----|-----|-----|-----|-----|--|--|--|
|-----|-----|-----|-----|-----|--|--|--|

Spray gun with 125 ccm QQC reusable plastic gravity flow cup

| | | | | | | | | |
|------|--------|--------|--------|--------|--------|---|---|---|
| RP | - | - | - | 198234 | 198242 | - | - | - |
| HVLP | 197996 | 198002 | 198010 | - | - | - | - | - |

Nozzle set

| | | | | | | | | |
|------|--------|--------|--------|--------|--------|---|---|---|
| RP | - | - | - | 201319 | 201327 | - | - | - |
| HVLP | 201210 | 201228 | 201236 | - | - | - | - | - |

design set

198382
SATA design set with SATAmijnjet 4400 B HVLP 1.0



SPRAY GUNS

CUP SYSTEMS

BREATHING PROTECTION

FILTER TECHNOLOGY

ADDITIONAL PRODUCTS

MERCHANDISING ITEMS

SR-nozzles specifically for spot repair applications

- Lower risk of creating bright edges ("halos")
- Allows application of very thin layers of paint

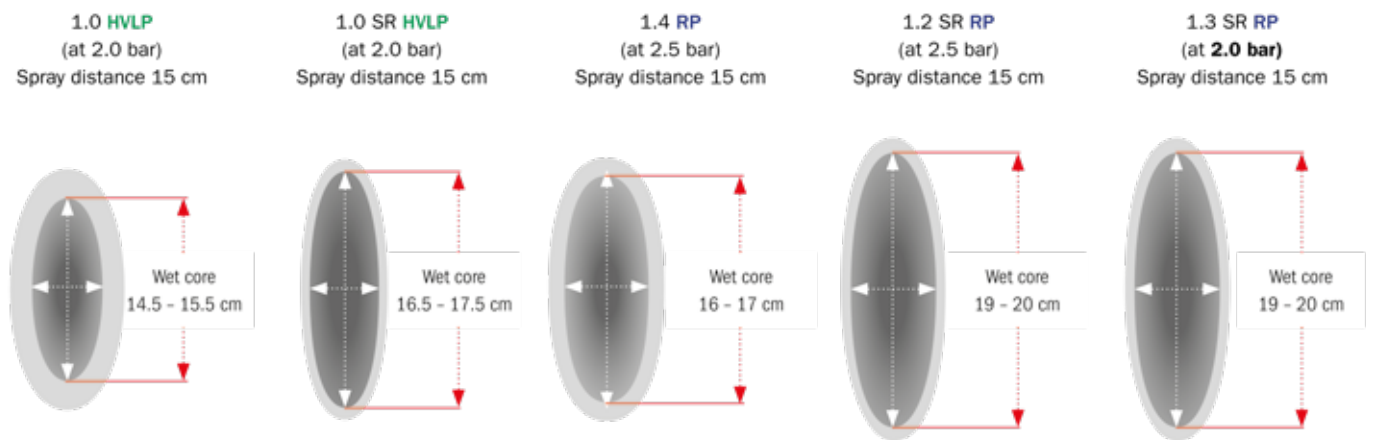
Spray fan comparison

SATaminijet 4400 B HVLV

Standard nozzle / SR nozzle

SATaminijet 4400 B RP

Standard nozzle / SR nozzle





SATAjet 100 B

RP/HVLP/P



| Technical Data | RP | HVLP | P |
|---|---------------|------------|---------------|
| Recommended air inlet pressure | 2,0 bar | 2,0 bar | 2,0 bar |
| Air inlet pressure field of application | 1,5 - 2,0 bar | 2,0 bar | 1,5 - 2,0 bar |
| Recommended spraying distance | 17 - 21 cm | 10 - 15 cm | 17 - 21 cm |
| Air consumption | 290 NI/min | 350 NI/min | 245 NI/min |

| | 1,4 | 1,6 | 1,7 | 1,8 | 1,9 | 2,0 | 2,1 |
|--|-----|-----|-----|-----|-----|-----|-----|
|--|-----|-----|-----|-----|-----|-----|-----|

Spray gun with RPS multi-purpose cup 0.3 l / 0.6 l / 0.9 l (each 1x) without swivel joint

| | | | | | | | |
|------|---------|---------|---------|---------|---------|---------|---------|
| RP | 1012632 | 1012640 | - | 1012658 | - | 1012666 | - |
| HVLP | 1012674 | - | 1012682 | - | 1012690 | - | 1012707 |

Spray gun with 0.6 l QCC reusable plastic gravity flow cup without swivel joint

| | | | | | | | |
|------|--------|--------|--------|--------|--------|--------|--------|
| RP | 146969 | 145193 | - | 145201 | - | 145219 | - |
| HVLP | 146373 | - | 145722 | - | 145730 | - | 145748 |

Spray gun with 0.75 l QCC reusable aluminium gravity flow cup without swivel joint

| | | | | | | | |
|------|--------|--------|--------|--------|--------|--------|--------|
| RP | 153023 | 146134 | - | 146142 | - | 147421 | - |
| HVLP | 147447 | - | 146175 | - | 146183 | - | 147454 |

Nozzle set

| | | | | | | | |
|------|--------|--------|--------|--------|--------|--------|--------|
| RP | 146977 | 145250 | - | 145268 | - | 145276 | - |
| HVLP | 146381 | - | 145417 | - | 145425 | - | 145433 |

SATAjet 100 B F RP 1,1 UV without swivel joint*

203125

SATAjet 100 B F RP nozzle 1.1 UV RPS multi-purpose cup 0.6 l UV (3x)

182592

SATAjet 100 B F RP nozzle 1.1 UV 0.75 l QCC reusable aluminium cup

182600

Nozzle set SATAjet 100 B F RP 1.1 UV

SATAjet 100 B P without swivel joint**

1012715

SATAjet 100 B P multi-purpose RPS cup 0.3 l / 0.6 l / 0.9 l (each 1x)

145185

SATAjet 100 B nozzle P 0.6 l QCC reusable plastic cup

146217

SATAjet 100 B nozzle P 0.75 l QCC reusable aluminium cup

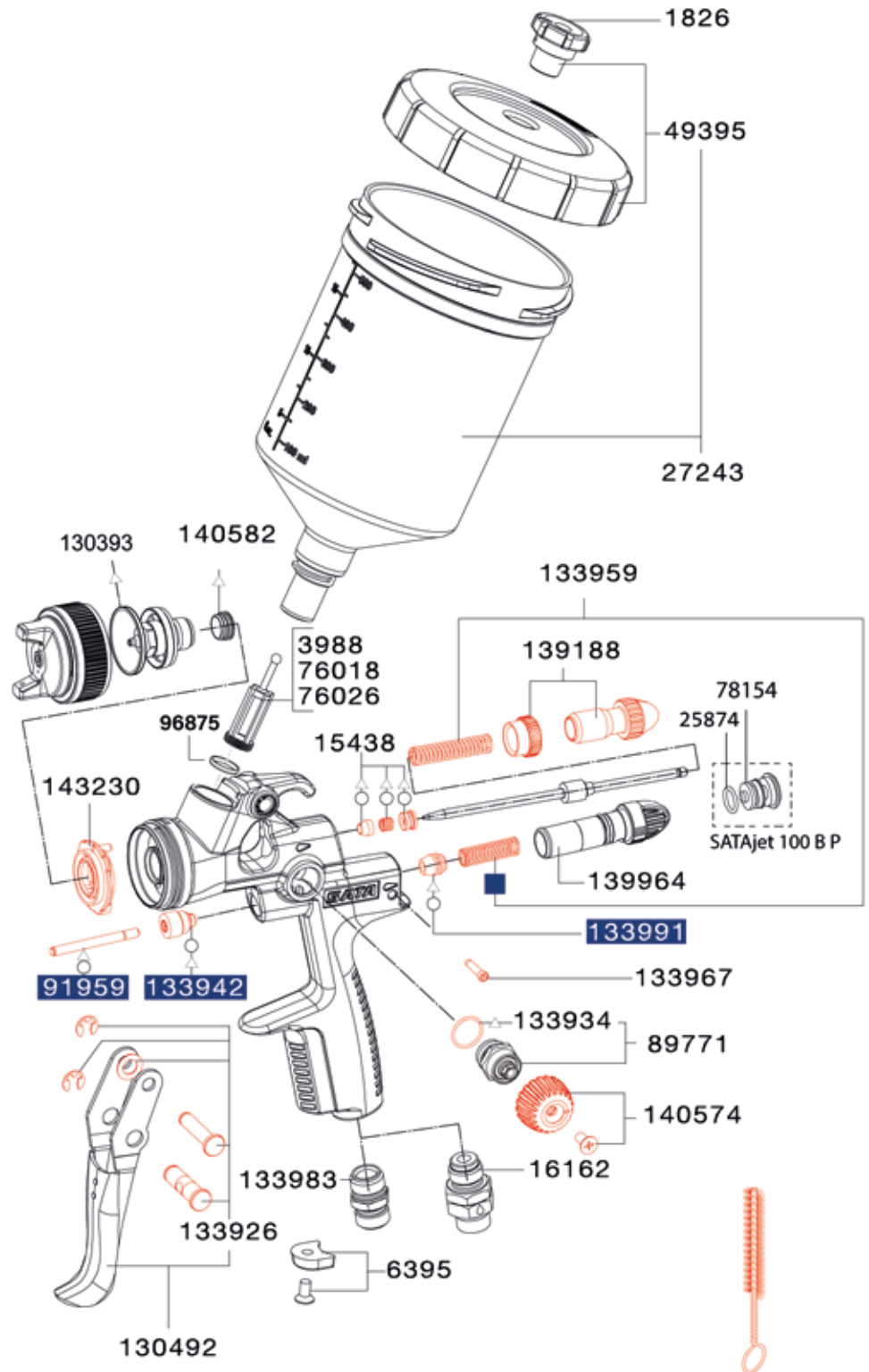
145284

Nozzle set SATAjet 100 B P

*Designed for use with UV Primer. **Designed for use with Polyester Spray Filler.

Spare parts
SATAjet 100 B

| |
|---|
| 1097379 |
| Universal spanner (pack of 3 pieces) |
| 130393 |
| Sealing ring for air cap ring SATAjet 100 and 1000 |
| 130492 |
| Trigger kit |
| 133926 |
| Trigger sleeve kit |
| 133934 |
| Sealing (packing unit 3 pieces) for spindle |
| 133942 |
| Seal retainer, cpl. |
| 133959 |
| Pressure spring (3 pieces) for paint needle and air piston |
| 133967 |
| Adjustment screw (packing unit 3 pieces) for air micrometer |
| 133983 |
| Air connection piece 1/4" male thread |
| 133991 |
| Air piston head (packing unit 3 pieces) |
| 139188 |
| Material flow control with counter nut |
| 139964 |
| Air micrometer |
| 140574 |
| Control knob with screw |
| 140582 |
| Sealing element (packing unit 5 pieces) for fluid tip |
| 143230 |
| Air distribution ring (packing unit 3 pieces) |
| 15438 |
| Paint needle packing |
| 16162 |
| Swivel joint |
| 1826 |
| Anti-drip device (packing unit 4 pieces) |
| 25874 |
| O-ring |
| 27243 |
| Reusable plastic cup, 0.6 l with QCC without fine thread for SATAjet 5000 series, jet 4000 B, jet 3000 B, jet 2000, jet 1000 B, jet 100 B, jet RP, minijet 4400 B |
| 3988 |
| Paint strainer, 300 µm (packing unit 10 pieces) |
| 49395 |
| Screw-on lid for 0.6 l PVC cup with drip-catching ring and non-drip device |
| 6395 |
| CCS Clips, green, blue, red, black (packing unit 4 pieces) |
| 76018 |
| Paint strainer, 300 µm (packing unit 100 pieces) |
| 76026 |
| Paint strainer, 300 µm (packing unit 500 pieces) |
| 78154 |
| Closing cap |
| 89771 |
| Spindle, cpl., f. round / flat spray control SATAjet 2000 HVLP |
| 91959 |
| Air piston rod |



Tool kit

9050
Universal spanner, Cleaning brush, Allen wrench 4 mm width, Allen wrench 2 mm width, Extraction tool, Paint strainer



Repair kit

- 130542
Repair kit
- 92759
Air piston service unit
- 183780
Sealing kit
- △ 1173260
Maintenance Set

SATAjet 1000 B

RP



| | |
|---|---------------|
| Technical Data | RP |
| Recommended air inlet pressure | 2,0 bar |
| Air inlet pressure field of application | 1,5 - 2,0 bar |
| Recommended spraying distance | 17 - 21 cm |
| Air consumption | 275 NI/min |

| | | | | | | | |
|-----|-----|-----|-----|-----|-----|-----|-----|
| 0,8 | 1,0 | 1,3 | 1,6 | 1,8 | 2,0 | 2,5 | 3,0 |
|-----|-----|-----|-----|-----|-----|-----|-----|

Spray gun with 0.6 l QCC reusable plastic gravity flow cup without swivel joint

| | | | | | | | | |
|----|--------|--------|--------|--------|--------|--------|--------|--------|
| RP | 151183 | 151191 | 149302 | 149310 | 150391 | 149328 | 151209 | 151217 |
|----|--------|--------|--------|--------|--------|--------|--------|--------|

Spray gun with 0.6 l QCC reusable plastic gravity flow cup with swivel joint

| | | | | | | | | |
|----|--------|--------|--------|--------|--------|--------|--------|--------|
| RP | 157875 | 157883 | 157891 | 157909 | 157917 | 157925 | 157933 | 157941 |
|----|--------|--------|--------|--------|--------|--------|--------|--------|

Spray gun with 0.75 l QCC reusable aluminium gravity flow cup without swivel joint

| | | | | | | | | |
|----|--------|--------|--------|--------|--------|--------|--------|--------|
| RP | 151225 | 151233 | 150342 | 149344 | 150409 | 149351 | 151241 | 151258 |
|----|--------|--------|--------|--------|--------|--------|--------|--------|

Nozzle set

| | | | | | | | | |
|----|--------|--------|--------|--------|--------|--------|--------|--------|
| RP | 151316 | 151324 | 149161 | 149179 | 150417 | 149187 | 151332 | 151340 |
|----|--------|--------|--------|--------|--------|--------|--------|--------|

| | | | | | | | |
|--------|--------|-----|-----|--|--|--|--|
| 2,5 HV | 3,0 HV | 4,0 | 5,0 | | | | |
|--------|--------|-----|-----|--|--|--|--|

Spray gun with 0.6 l QCC reusable plastic gravity flow cup without swivel joint - for high viscosity materials

| | | | | | | | | |
|----|---------|---------|---|---|---|---|---|---|
| RP | 1003194 | 1003201 | - | - | - | - | - | - |
|----|---------|---------|---|---|---|---|---|---|

Spray gun with 0.6 l QCC reusable plastic gravity flow cup without swivel joint - large nozzles

| | | | | | | | | |
|----|---|---|--------|---|---|---|---|---|
| RP | - | - | 154161 | - | - | - | - | - |
|----|---|---|--------|---|---|---|---|---|

Spray gun with 0.6 l QCC reusable plastic gravity flow cup with swivel joint - for high viscosity materials

| | | | | | | | | |
|----|---------|---------|---|---|---|---|---|---|
| RP | 1003235 | 1003243 | - | - | - | - | - | - |
|----|---------|---------|---|---|---|---|---|---|

Spray gun with 0.6 l QCC reusable plastic gravity flow cup with swivel joint - large nozzles

| | | | | | | | | |
|----|---|---|--------|---|---|---|---|---|
| RP | - | - | 157958 | - | - | - | - | - |
|----|---|---|--------|---|---|---|---|---|

Spray gun with 0.75 l QCC reusable aluminium gravity flow cup without swivel joint - for high viscosity materials

| | | | | | | | | |
|----|---------|---------|---|---|---|---|---|---|
| RP | 1003219 | 1003227 | - | - | - | - | - | - |
|----|---------|---------|---|---|---|---|---|---|

Spray gun with 0.75 l QCC reusable aluminium gravity flow cup without swivel joint - large nozzles

| | | | | | | | | |
|----|---|---|--------|---|---|---|---|---|
| RP | - | - | 154179 | - | - | - | - | - |
|----|---|---|--------|---|---|---|---|---|

Nozzle set - for high viscosity materials

| | | | | | | | | |
|----|--------|--------|---|---|---|---|---|---|
| RP | 222372 | 222380 | - | - | - | - | - | - |
|----|--------|--------|---|---|---|---|---|---|

Nozzle set - large nozzle sizes

| | | | | | | | | |
|----|---|---|--------|--------|---|---|---|---|
| RP | - | - | 154187 | 154195 | - | - | - | - |
|----|---|---|--------|--------|---|---|---|---|

SPRAY GUNS

CUP SYSTEMS

BREATHING PROTECTION

FILTER TECHNOLOGY

ADDITIONAL PRODUCTS

MERCHANDISING ITEMS

SATAjet 1000 B RP for glue applications

164962

SATAjet 1000 B RP nozzle 1.6 D twisted round spray 0.6 l QCC reusable plastic cup

164970

Nozzle set SATAjet 1000 B RP 1.6 twisted round spray

214320

SATAjet 1000 B RP nozzle 1.3 DA pressurised cup spray gun for dispersion glues, incl. SATA BVD add-on kit

214338

Nozzle set SATAjet 1000 B RP 1.3 DA for dispersion glues

SPRAY GUNS

CUP SYSTEMS

BREATHING PROTECTION

FILTER TECHNOLOGY

ADDITIONAL PRODUCTS

MERCHANDISING ITEMS

SATAjet 1000 B

HVLP



Technical Data

HVLP

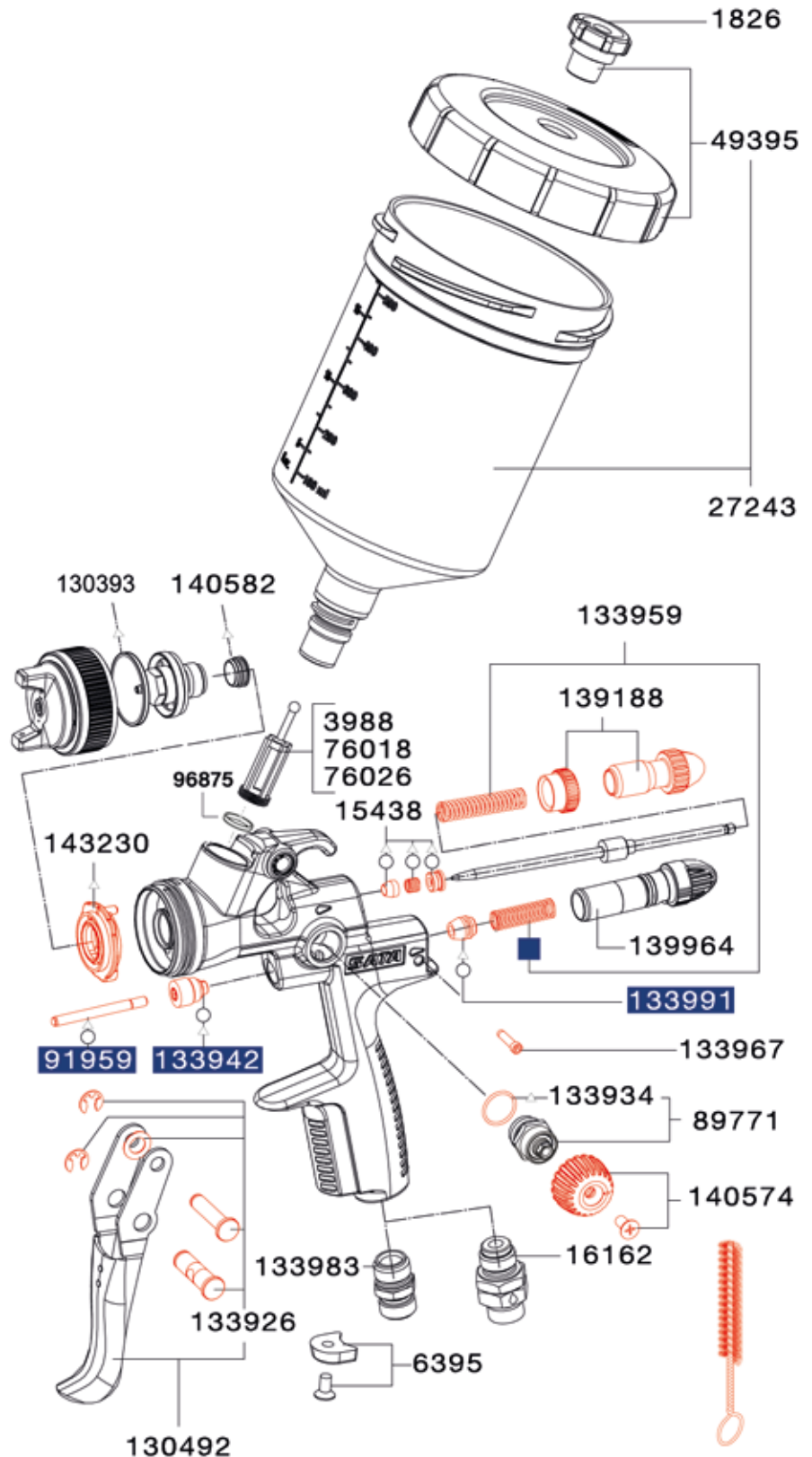
Recommended air inlet pressure 2,0 bar
 Air inlet pressure field of application 2,0 bar
 Recommended spraying distance 13 - 17 cm
 Air consumption 350 NI/min

| | 1,4 | 1,7 | 1,9 | 2,1 |
|---|--------|--------|--------|--------|
| Spray gun with 0.6 l QCC reusable plastic gravity flow cup without swivel joint | | | | |
| HVLP | 149377 | 149385 | 149393 | 149401 |
| Spray gun with 0.6 l QCC reusable plastic gravity flow cup with swivel joint | | | | |
| HVLP | 157966 | 157974 | 157982 | 157990 |
| Spray gun with 0.75 l QCC reusable aluminium gravity flow cup without swivel joint | | | | |
| HVLP | 149419 | 149427 | 149435 | 149443 |
| Nozzle set | | | | |
| HVLP | 149195 | 149203 | 149211 | 149229 |

Spare parts

SATAjet 1000 B

| |
|---|
| 1097379 |
| Universal spanner (pack of 3 pieces) |
| 130393 |
| Sealing ring for air cap ring SATAjet 100 and 1000 |
| 130492 |
| Trigger kit |
| 133926 |
| Trigger sleeve kit |
| 133934 |
| Sealing (packing unit 3 pieces) for spindle |
| 133942 |
| Seal retainer, cpl. |
| 133959 |
| Pressure spring (3 pieces) for paint needle and air piston |
| 133967 |
| Adjustment screw (packing unit 3 pieces) for air micrometer |
| 133983 |
| Air connection piece 1/4" male thread |
| 133991 |
| Air piston head (packing unit 3 pieces) |
| 139188 |
| Material flow control with counter nut |
| 139964 |
| Air micrometer |
| 140574 |
| Control knob with screw |
| 140582 |
| Sealing element (packing unit 5 pieces) for fluid tip |
| 143230 |
| Air distribution ring (packing unit 3 pieces) |
| 15438 |
| Paint needle packing |
| 16162 |
| Swivel joint |
| 1826 |
| Anti-drip device (packing unit 4 pieces) |
| 27243 |
| Reusable plastic cup, 0.6 l with QCC without fine thread for SATAjet 5000 series, jet 4000 B, jet 3000 B, jet 2000, jet 1000 B, jet 100 B, jet RP, minijet 4400 B |
| 3988 |
| Paint strainer, 300 µm (packing unit 10 pieces) |
| 49395 |
| Screw-on lid for 0.6 l PVC cup with drip-catching ring and non-drip device |
| 6395 |
| CCS Clips, green, blue, red, black (packing unit 4 pieces) |
| 76018 |
| Paint strainer, 300 µm (packing unit 100 pieces) |
| 76026 |
| Paint strainer, 300 µm (packing unit 500 pieces) |
| 89771 |
| Spindle, cpl., f. round / flat spray control SATAjet 2000 HVLP |
| 91959 |
| Air piston rod |
| 96875 |
| PVC insert for paint spray guns with QCC cup connection |



Tool kit

9050
Universal spanner, Cleaning brush, Allen wrench 4 mm width, Allen wrench 2 mm width, Extraction tool, Paint strainer



Repair kit

- 130542
Repair kit
- 92759
Air piston service unit
- 183780
Sealing kit
- △ 1173260
Maintenance Set

Extensions for SATAjet 1000 B RP

Standard nozzle

154211

Extension with standard nozzle (0°), 20 cm with nozzle set 1.6 RP for SATAjet 1000 B RP



154229

Extension with standard nozzle (0°), 30 cm with nozzle set 1.6 RP for SATAjet 1000 B RP

154237

Extension with standard nozzle (0°), 40 cm with nozzle set 1.6 RP for SATAjet 1000 B RP

Diagonal spray nozzle

154252

Extension with diagonal spray nozzle (45°), 20 cm with nozzle set 1.6 RP for SATAjet 1000 B RP



154260

Extension with diagonal spray nozzle (45°), 30 cm with nozzle set 1.6 RP for SATAjet 1000 B RP

154278

Extension with diagonal spray nozzle (45°), 40 cm with nozzle set 1.6 RP for SATAjet 1000 B RP

178533

Extension with diagonal spray nozzle (75°), swiveling, 40 cm with nozzle set 1.6 RP for SATAjet 1000 B RP, preferably with BVD pressurized cup

185520

Extension with diagonal spray nozzle (75°), swivelling, 20 cm with nozzle set 1.6 RP for SATAjet 1000 B RP, preferably with BVD pressurized cup

Angular head nozzle

154294

Extension with angular head nozzle (90°), 20 cm with nozzle set 1.6 RP for SATAjet 1000 B RP



154302

Extension with diagonal spray nozzle (90°), 30 cm with nozzle set 1.6 RP for SATAjet 1000 B RP

154310

Extension with angular head nozzle (90°), 40 cm with nozzle set 1.6 RP for SATAjet 1000 B RP

Rotary nozzle

196162

Extension with rotary nozzle (360°), 20 cm with nozzle set 1.6 RP for SATAjet 1000 B RP, function exclusively with SATA BVD pressurized cup

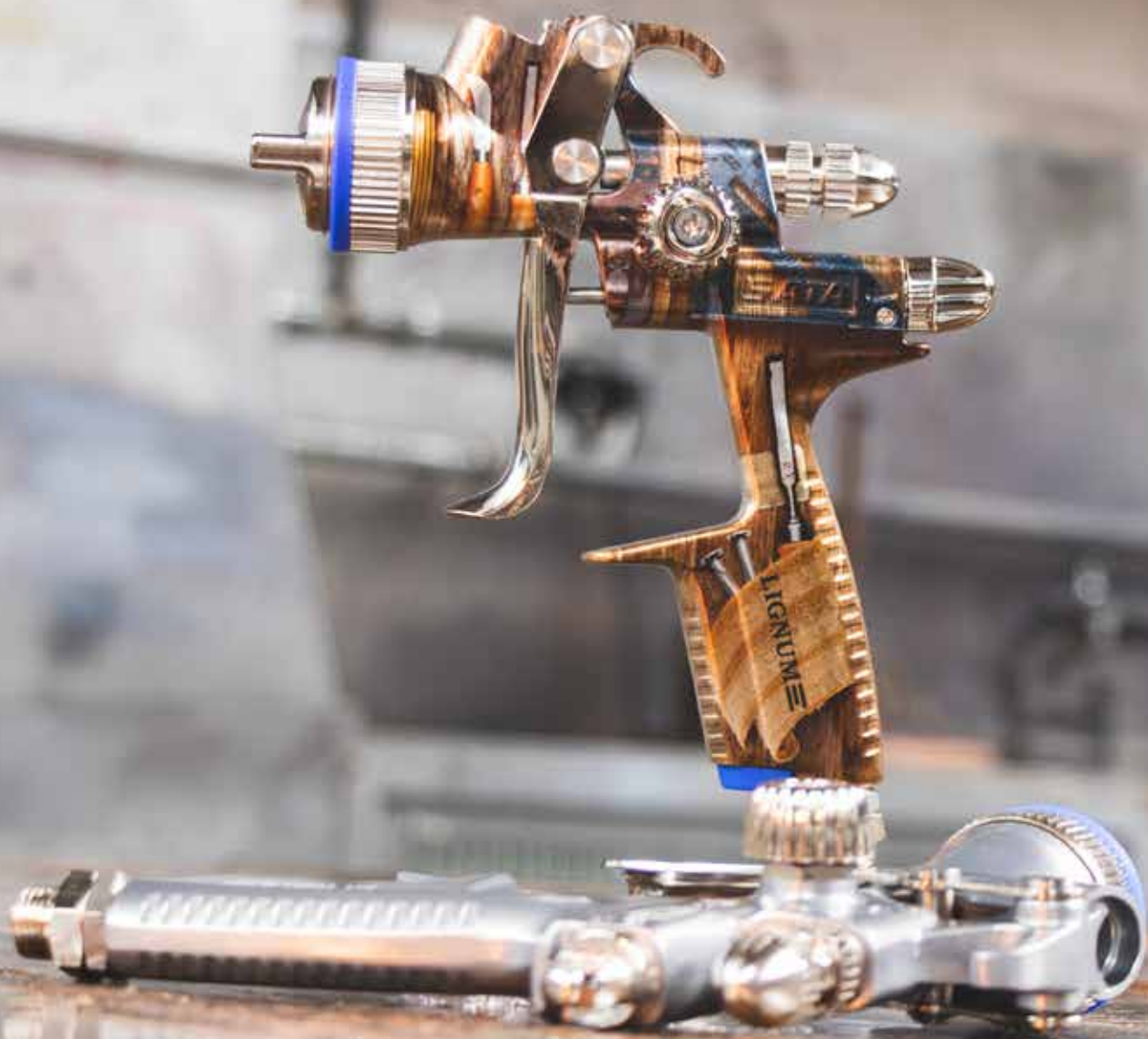


196170

Extension with rotary nozzle (360°), 30 cm with nozzle set 1.6 RP for SATAjet 1000 B RP, function exclusively with SATA BVD pressurized cup

196188

Extension with rotary nozzle (360°), 40 cm with nozzle set 1.6 RP for SATAjet 1000 B RP, function exclusively with SATA BVD pressurized cup



SATAjet 1000 B Lignum 3 RP/HVLP



| Technical Data | RP | HVLP |
|---|---------------|------------|
| Recommended air inlet pressure | 2,0 bar | 2,0 bar |
| Air inlet pressure field of application | 1,5 - 2,0 bar | 2,0 bar |
| Recommended spraying distance | 17 - 21 cm | 13 - 17 cm |
| Air consumption | 275 NI/min | 350 NI/min |

| | | | | | | | |
|-----|-----|-----|-----|-----|-----|-----|-----|
| 1,3 | 1,4 | 1,6 | 1,7 | 1,8 | 1,9 | 2,0 | 2,5 |
|-----|-----|-----|-----|-----|-----|-----|-----|

Spray gun with 0.6 l QCC reusable plastic gravity flow cup with swivel joint

| | | | | | | | | |
|------|---------|---------|---------|---------|---------|---------|---------|---------|
| RP | 1107805 | - | 1107813 | - | 1107821 | - | 1107839 | 1107847 |
| HVLP | - | 1107772 | - | 1107780 | - | 1107798 | - | - |

Nozzle set

| | | | | | | | | |
|------|--------|--------|--------|--------|--------|--------|--------|--------|
| RP | 149161 | - | 149179 | - | 150417 | - | 149187 | 151332 |
| HVLP | - | 149195 | - | 149203 | - | 149211 | - | - |

| | | | | | | | |
|-----|-----|-----|-----|--------|--------|-----|-----|
| 0,8 | 1,0 | 2,1 | 3,0 | 2,5 HV | 3,0 HV | 4,0 | 5,0 |
|-----|-----|-----|-----|--------|--------|-----|-----|

Nozzle set

| | | | | | | | | |
|------|--------|--------|--------|--------|---|---|---|---|
| RP | 151316 | 151324 | - | 151340 | - | - | - | - |
| HVLP | - | - | 149229 | - | - | - | - | - |

Nozzle set - for high viscosity materials

| | | | | | | | | |
|----|---|---|---|---|--------|--------|---|---|
| RP | - | - | - | - | 222372 | 222380 | - | - |
|----|---|---|---|---|--------|--------|---|---|

Nozzle set - large nozzle sizes

| | | | | | | | | |
|----|---|---|---|---|---|---|--------|--------|
| RP | - | - | - | - | - | - | 154187 | 154195 |
|----|---|---|---|---|---|---|--------|--------|

SPRAY GUNS

CUP SYSTEMS

BREATHING PROTECTION

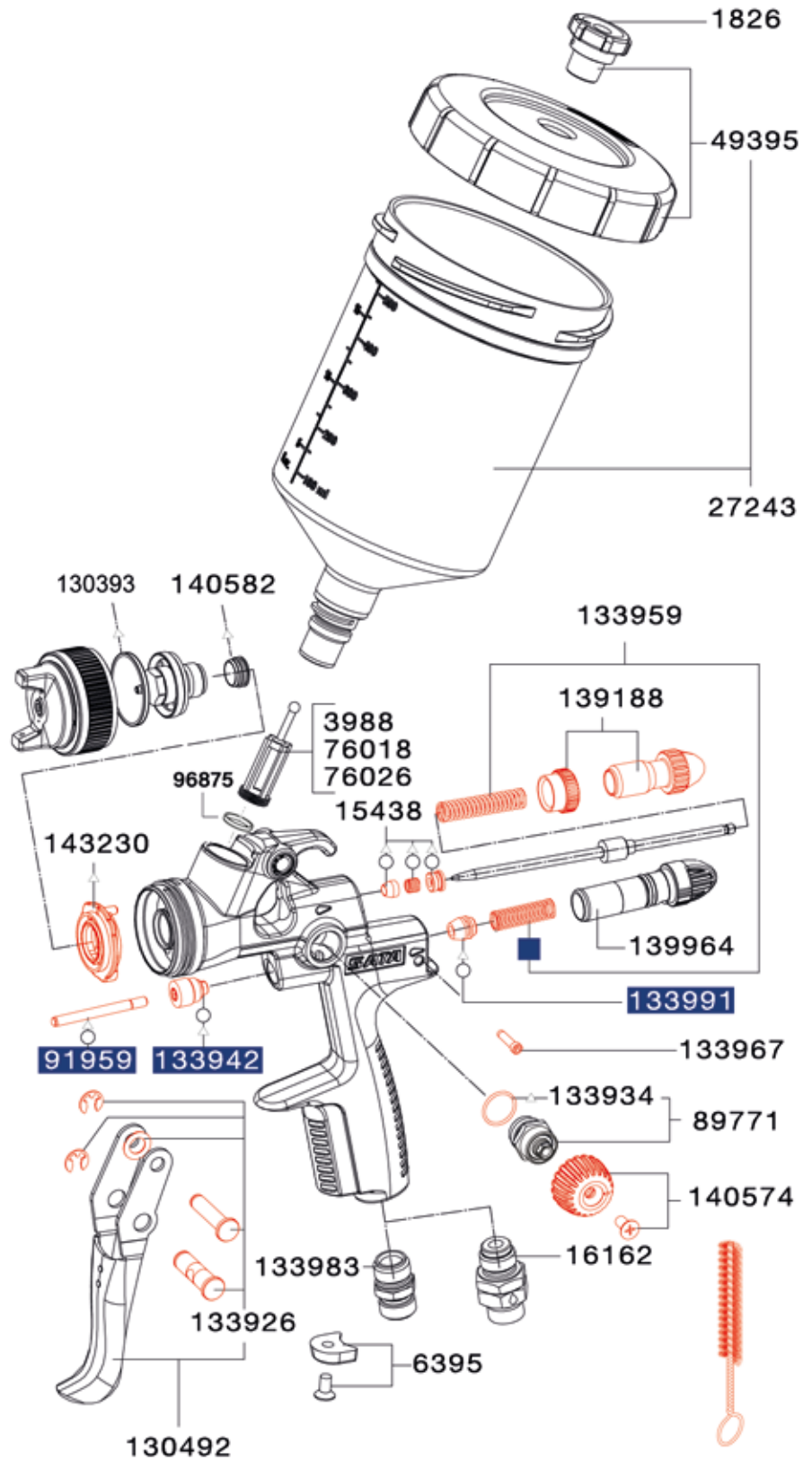
FILTER TECHNOLOGY

ADDITIONAL PRODUCTS

MERCHANDISING ITEMS

Spare parts
SATAjet 1000 B
Lignum 3

| |
|---|
| 1097379 |
| Universal spanner (pack of 3 pieces) |
| 130393 |
| Sealing ring for air cap ring SATAjet 100 and 1000 |
| 130492 |
| Trigger kit |
| 133926 |
| Trigger sleeve kit |
| 133934 |
| Sealing (packing unit 3 pieces) for spindle |
| 133942 |
| Seal retainer, cpl. |
| 133959 |
| Pressure spring (3 pieces) for paint needle and air piston |
| 133967 |
| Adjustment screw (packing unit 3 pieces) for air micrometer |
| 133991 |
| Air piston head (packing unit 3 pieces) |
| 139188 |
| Material flow control with counter nut |
| 139964 |
| Air micrometer |
| 140574 |
| Control knob with screw |
| 140582 |
| Sealing element (packing unit 5 pieces) for fluid tip |
| 143230 |
| Air distribution ring (packing unit 3 pieces) |
| 15438 |
| Paint needle packing |
| 16162 |
| Swivel joint |
| 1826 |
| Anti-drip device (packing unit 4 pieces) |
| 27243 |
| Reusable plastic cup, 0.6 l with QCC without fine thread for SATAjet 5000 series, jet 4000 B, jet 3000 B, jet 2000, jet 1000 B, jet 100 B, jet RP, minijet 4400 B |
| 3988 |
| Paint strainer, 300 µm (packing unit 10 pieces) |
| 49395 |
| Screw-on lid for 0.6 l PVC cup with drip-catching ring and non-drip device |
| 6395 |
| CCS Clips, green, blue, red, black (packing unit 4 pieces) |
| 76018 |
| Paint strainer, 300 µm (packing unit 100 pieces) |
| 76026 |
| Paint strainer, 300 µm (packing unit 500 pieces) |
| 89771 |
| Spindle, cpl., f. round / flat spray control SATAjet 2000 HVLP |
| 91959 |
| Air piston rod |
| 96875 |
| PVC insert for paint spray guns with QCC cup connection |



Tool kit

9050
Universal spanner, Cleaning brush, Allen wrench 4 mm width, Allen wrench 2 mm width, Extraction tool, Paint strainer



Repair kit

- 130542
Repair kit
- 92759
Air piston service unit
- 183780
Sealing kit
- △ 1173260
Maintenance Set

SATA spray master RP

RP



| | |
|---|---------------|
| Technical Data | RP |
| Recommended air inlet pressure | 2,0 bar |
| Air inlet pressure field of application | 1,0 - 2,0 bar |
| Recommended spraying distance | 17 - 21 cm |
| Air consumption | 230 NI/min |



| | SM W | 1,7 W | 2,0 W |
|-------------------|-------|-------|-------|
| Spray gun | | | |
| RP | 72900 | 73734 | 74120 |
| Nozzle set | | | |
| RP | 77982 | 73791 | 78279 |

SPRAY GUNS

CUP SYSTEMS

BREATHING PROTECTION

FILTER TECHNOLOGY

ADDITIONAL PRODUCTS

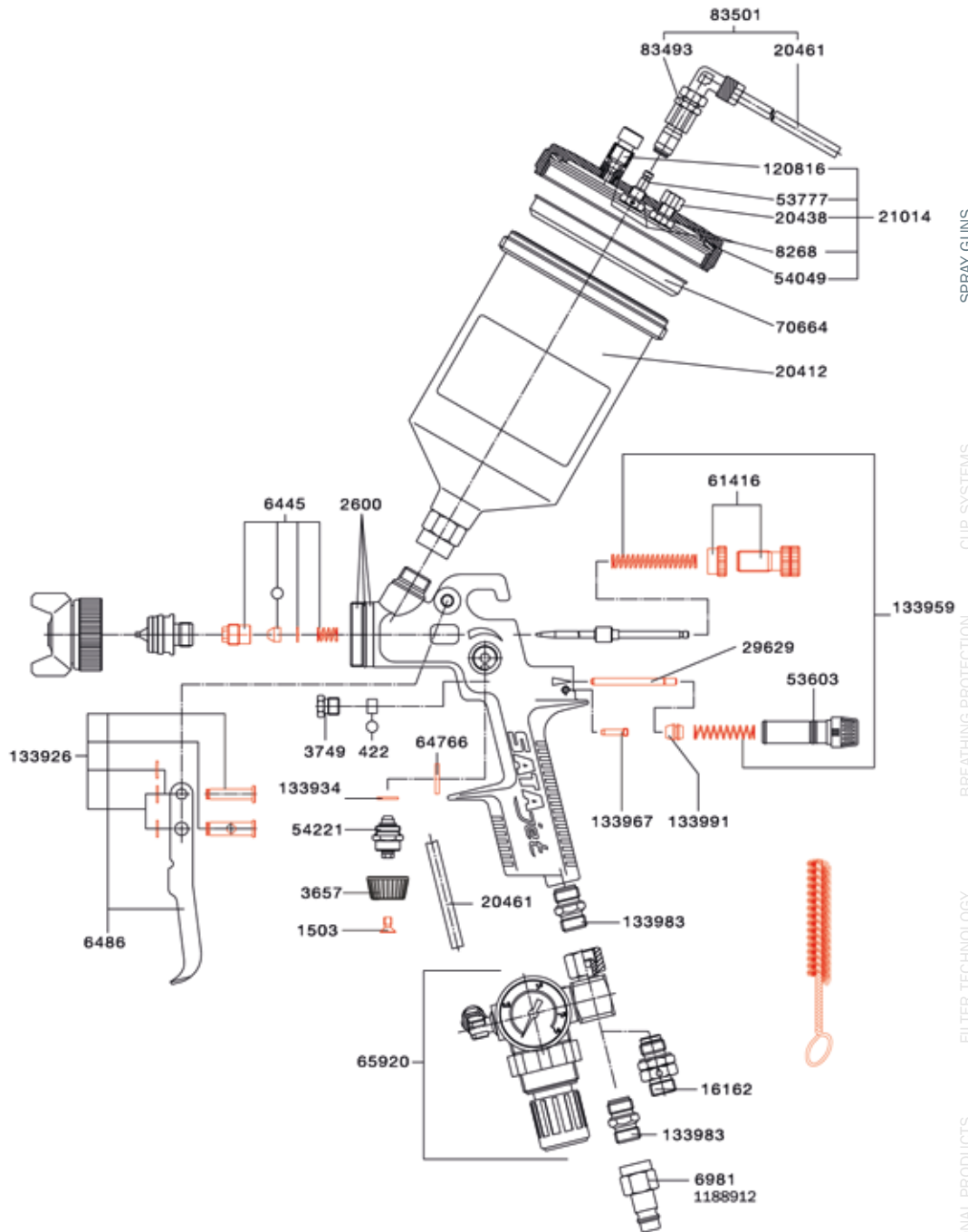
MERCHANDISING ITEMS

Spare parts

SATA spray master

RP

| |
|--|
| 1188912 |
| SATA quick coupling nipple G 1/4" (female thread) |
| 120816 |
| Pressure release screw (packing unit 2 pieces) |
| 133926 |
| Trigger sleeve kit |
| 133934 |
| Sealing (packing unit 3 pieces) for spindle |
| 133959 |
| Pressure spring (3 pieces) for paint needle and air piston |
| 133967 |
| Adjustment screw (packing unit 3 pieces) for air micrometer |
| 133983 |
| Air connection piece 1/4" male thread |
| 133991 |
| Air piston head (packing unit 3 pieces) |
| 1503 |
| Countersunk screw M4 x 8 DIN 965, stainless steel, for micrometer und round/flat spray control |
| 16162 |
| Swivel joint |
| 20412 |
| 0.7 l pressure pot, aluminium without lid |
| 20438 |
| Safety pressure relief valve BVD |
| 20461 |
| Plastic air hose for BVD and agitator cup |
| 21014 |
| Aluminium lid, cpl. |
| 2600 |
| Service unit for nozzle insert for SATAjet/B, H, K and NR 92, consisting of nozzle insert, distribution plate and sealing ring |
| 29629 |
| Air piston rod |
| 3657 |
| Control knob |
| 3749 |
| Stuffing box for air piston SATAjet, KL, HKD and MC-B |
| 422 |
| Gasket for air piston |
| 53603 |
| Air micrometer |
| 53777 |
| Air connection for aluminium lid |
| 54049 |
| Sealing ring (packing unit 4 pieces) |
| 54221 |
| Spindle complete, for SATAjet/90, SATAjet, regulation valve and MC-B |
| 61416 |
| Material flow control with counter nut |
| 6445 |
| Paint needle packing |
| 64766 |
| Washer |
| 6486 |
| Trigger kit |
| 65920 |
| Control fittings, complete, for BVD pressurized cup connection kit (GR and LM) |
| 6981 |
| SATA quick coupling nipple G 1/4" (female thread) (packing unit 5 pieces) |
| 70664 |
| Anti-drip device (packing unit 10 pieces) |
| 8268 |
| Sealing ring |
| 83493 |
| Connection for pressurised cup, cpl. |
| 83501 |
| Air hose cpl. w. pressurized cup connection, for SATA Spray-Master |



Tool kit

9654
 Universal spanner, Cleaning brush, Allen wrench 4 mm width, Allen wrench 2 mm width, Paint strainer, Socket wrench 7 mm width



Repair kit

- 70623
Repair kit
- 9829
Sealing kit
- 73254
Repair kit for control fitting

All prices are recommended list prices. Errors, technical modifications and printing errors reserved.

SPRAY GUNS

CUP SYSTEMS

BREATHING PROTECTION

FILTER TECHNOLOGY

ADDITIONAL PRODUCTS

MERCHANDISING ITEMS



SATAjet 3000 K

RP/HVLP



| Technical Data | RP | HVLP |
|---|---------------|------------|
| Recommended air inlet pressure | 2,5 bar | 2,5 bar |
| Air inlet pressure field of application | 2,5 - 3,0 bar | 2,5 bar |
| Recommended spraying distance | 17 - 21 cm | 10 - 15 cm |
| Air consumption | 430 NI/min | 560 NI/min |
| Max. material inlet pressure | 10,0 bar | 10,0 bar |

| 0,8 | 1,0 | 1,1 | 1,2 | 1,3 | 1,4 | 1,5 | 1,6 |
|-----|-----|-----|-----|-----|-----|-----|-----|
|-----|-----|-----|-----|-----|-----|-----|-----|

Spray gun

| | | | | | | | | |
|------|-------|-------|-------|-------|-------|--------|-------|-------|
| RP | 92932 | - | 93336 | - | 93344 | - | 93351 | - |
| HVLP | 93385 | 92924 | - | 93393 | - | 193656 | - | 96164 |

Nozzle set

| | | | | | | | | |
|------|-------|-------|-------|-------|-------|--------|-------|-------|
| RP | 92494 | - | 92502 | - | 92510 | - | 92528 | - |
| HVLP | 92783 | 92791 | - | 92809 | - | 191379 | - | 92817 |

| 1,7 | 2,0 | | | | | | |
|-----|-----|--|--|--|--|--|--|
|-----|-----|--|--|--|--|--|--|

Spray gun

| | | | | | | | |
|------|-------|-------|---|---|---|---|---|
| RP | 93369 | 93377 | - | - | - | - | - |
| HVLP | - | 96172 | - | - | - | - | - |

Nozzle set

| | | | | | | | |
|------|-------|-------|---|---|---|---|---|
| RP | 95422 | 95356 | - | - | - | - | - |
| HVLP | - | 92825 | - | - | - | - | - |

Required accessories for SATA pressure fed spray guns

92031

SATA paint tube G 3/8" (female thread) - 3/8" (male thread) for SATA pressure fed spray guns



38265

SATA paint strainer 60 msh, G 3/8" (female thread) and 3/8" (male thread) for SATA pressure fed spray gun except for SATAminijet



12260

Sieve 60 msh (packing unit 4 pieces) for SATA paint strainer

12278

Sieve, 100 msh (packing unit 4 pieces) for SATA paint strainer

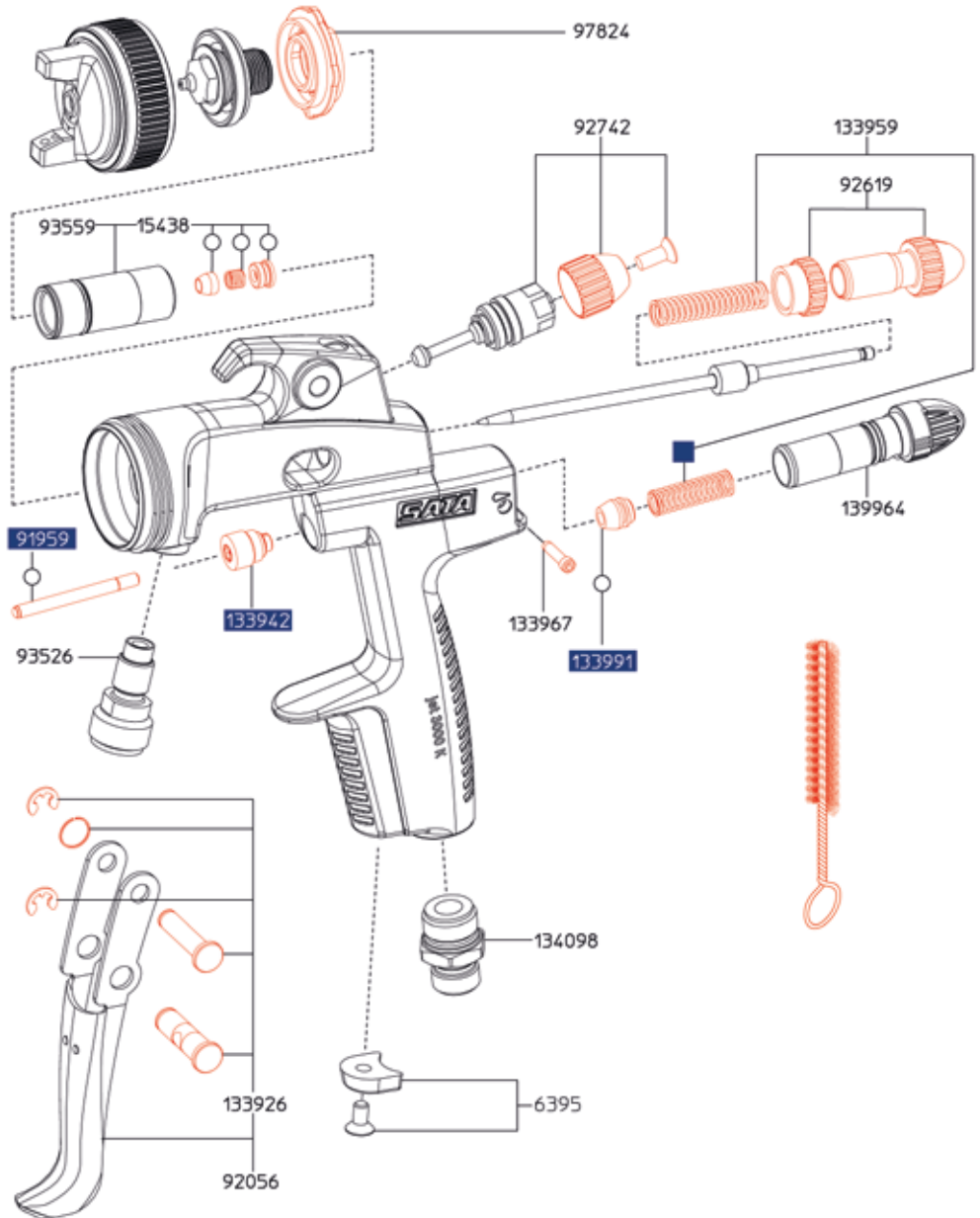
74856

Strainer kit: Sieve 200 msh (4 pcs.) strainer holder (2 pcs.), screw (1 pcs.) for SATA strainer

Upon request: spray guns and nozzle sets with surface treatment for increased lifetime of the fluid tip and paint needle.

Spare parts
SATAjet 3000 K

| |
|---|
| 1097379 |
| Universal spanner (pack of 3 pieces) |
| 133926 |
| Trigger sleeve kit |
| 133942 |
| Seal retainer, cpl. |
| 133959 |
| Pressure spring (3 pieces) for paint needle and air piston |
| 133967 |
| Adjustment screw (packing unit 3 pieces) for air micrometer |
| 133991 |
| Air piston head (packing unit 3 pieces) |
| 134098 |
| Air connection piece 1/4" (male thread) |
| 139964 |
| Air micrometer |
| 15438 |
| Paint needle packing |
| 6395 |
| CCS Clips, green, blue, red, black (packing unit 4 pieces) |
| 91959 |
| Air piston rod |
| 92056 |
| Trigger kit |
| 92619 |
| Material flow control with counter nut |
| 92742 |
| Round/flat spray control |
| 93526 |
| Material connection, stainless steel |
| 93559 |
| Insert, stainless steel |
| 97824 |
| Air distribution ring (3 pieces) |



Tool kit

9050
Universal spanner, Cleaning brush, Allen wrench 4 mm width, Allen wrench 2 mm width, Extraction tool, Paint strainer



Repair kit

- 92767
Repair kit
- 92759
Air piston service unit
- o 183780
Sealing kit

SATAjet 1000 K

RP



| Technical Data | RP |
|---|------------|
| Recommended air inlet pressure | 2,5 bar |
| Air inlet pressure field of application | 2,5 bar |
| Recommended spraying distance | 17 - 21 cm |
| Air consumption | 410 NI/min |
| Max. material inlet pressure | 10,0 bar |

| | 0,8 | 1,1 | 1,3 | 1,5 | 1,7 | 2,0 | 2,5 | 3,0 |
|--|--------|--------|--------|--------|--------|--------|--------|--------|
| Spray gun | | | | | | | | |
| RP | 132092 | 132100 | 132118 | 132126 | 132134 | 132142 | 153486 | 153494 |
| Spray gun with lifetime prolonging surface on fluid tip and paint needle | | | | | | | | |
| RP | 141903 | 141911 | 141929 | 141937 | 141945 | 141952 | - | - |
| Nozzle set | | | | | | | | |
| RP | 132159 | 132167 | 132175 | 132183 | 132191 | 132209 | 153528 | 153536 |
| Nozzle set with lifetime prolonging surface on fluid tip and paint needle | | | | | | | | |
| RP | 141648 | 141655 | 141663 | 141689 | 141697 | 141705 | 159442 | - |
| Spray gun - large nozzle sizes | | | | | | | | |
| RP | 154336 | - | - | - | - | - | - | - |
| Spray gun with slit nozzle | | | | | | | | |
| RP | - | 154344 | 154351 | 154369 | - | - | - | - |
| Nozzle set - large nozzle sizes | | | | | | | | |
| RP | 154377 | - | - | - | 154385 | - | - | - |
| Slit nozzle set | | | | | | | | |
| RP | - | 154393 | 154401 | 154419 | - | - | - | - |

SATAjet 1000 K RP for adhesive applications

161232

SATAjet 1000 K RP nozzle 1.6 D twisted round spray, material connection 3/8" (male thread)

159707

Nozzle set SATAjet 1000 K RP 1.6 twisted round spray

211979

SATAjet 1000 K RP nozzle 1.3 DA for dispersion adhesives, material connection 3/8" (male thread)

211961

Nozzle set SATAjet 1000 K RP 1.3 DA, for dispersion adhesives

3,0 - 55 SK: 55 = Angle / SK = Sintered ceramic

SATAjet 1000 K

HVLP



Technical Data

HVLP

| | |
|---|------------|
| Recommended air inlet pressure | 2,5 bar |
| Air inlet pressure field of application | 2,5 bar |
| Recommended spraying distance | 10 - 15 cm |
| Air consumption | 530 NI/min |
| Max. material inlet pressure | 10,0 bar |

| | | | | | |
|-----|-----|-----|-----|-----|-----|
| 0,8 | 1,0 | 1,2 | 1,4 | 1,6 | 2,0 |
|-----|-----|-----|-----|-----|-----|

Spray gun

| | | | | | | |
|------|--------|--------|--------|--------|--------|--------|
| HVLP | 139196 | 139204 | 139212 | 193664 | 139220 | 139238 |
|------|--------|--------|--------|--------|--------|--------|

Spray gun with lifetime prolonging surface on fluid tip and paint needle

| | | | | | | |
|------|--------|--------|--------|---|--------|--------|
| HVLP | 141960 | 141978 | 141986 | - | 142000 | 142018 |
|------|--------|--------|--------|---|--------|--------|

Nozzle set

| | | | | | | |
|------|--------|--------|--------|--------|--------|--------|
| HVLP | 139253 | 139261 | 139279 | 191387 | 139287 | 139295 |
|------|--------|--------|--------|--------|--------|--------|

Nozzle set with lifetime prolonging surface on fluid tip and paint needle

| | | | | | | |
|------|--------|--------|--------|---|--------|--------|
| HVLP | 141762 | 141770 | 141804 | - | 141812 | 141838 |
|------|--------|--------|--------|---|--------|--------|

Required accessories for SATA pressure fed spray guns

38265

SATA paint strainer 60 msh, G 3/8" (female thread) and 3/8" (male thread) for SATA pressure fed spray gun except for SATAminijet

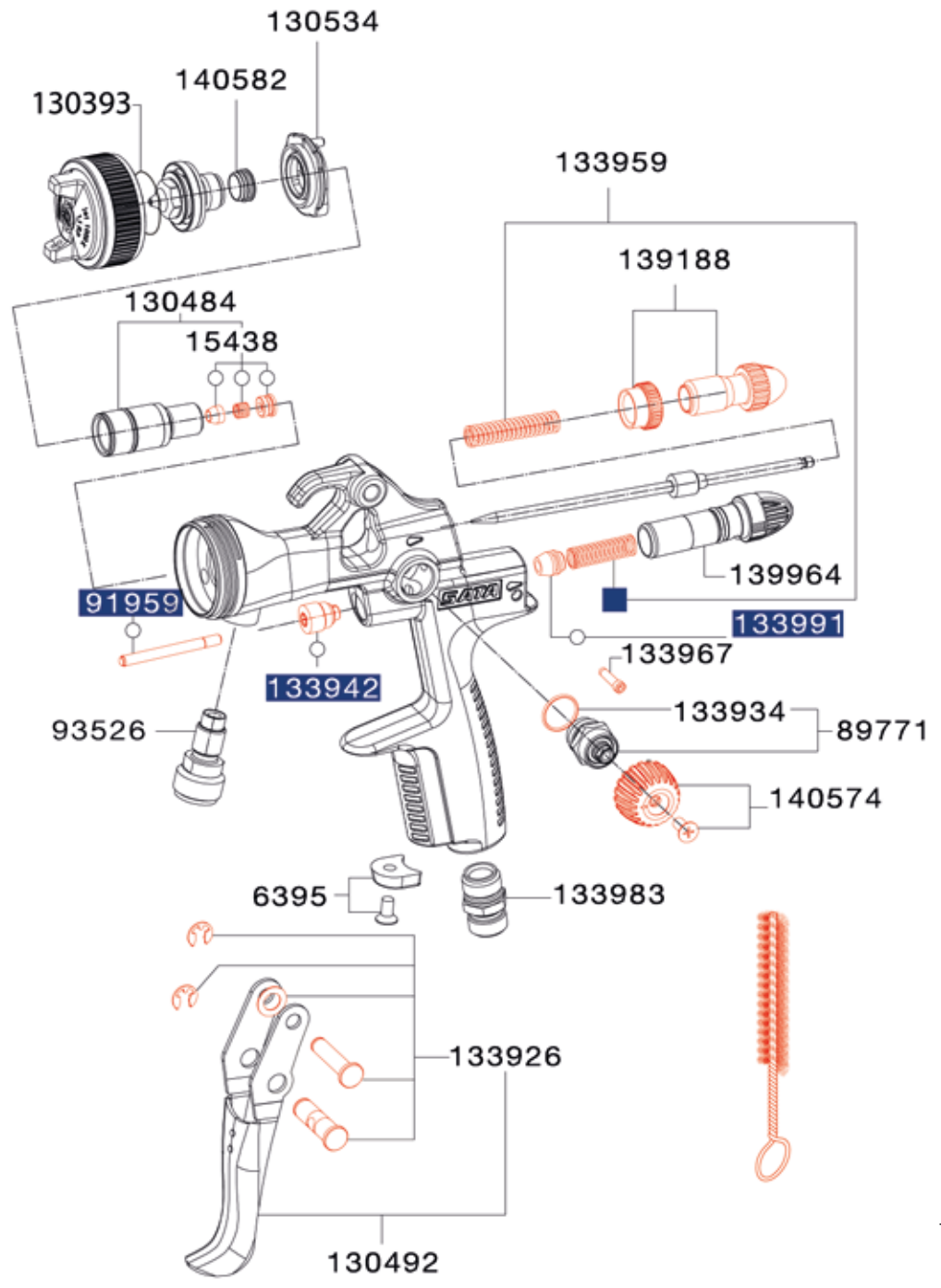


92031

SATA paint tube G 3/8" (female thread) - 3/8" (male thread) for SATA pressure fed spray guns



| Spare parts | |
|-----------------------|--|
| SATAjet 1000 K | |
| 1097379 | Universal spanner (pack of 3 pieces) |
| 130393 | Sealing ring for air cap ring SATAjet 100 and 1000 |
| 130484 | Insert, cpl. |
| 130492 | Trigger kit |
| 130534 | Air distribution ring (packing unit 3 pieces) |
| 133926 | Trigger sleeve kit |
| 133934 | Sealing (packing unit 3 pieces) for spindle |
| 133942 | Seal retainer, cpl. |
| 133959 | Pressure spring (3 pieces) for paint needle and air piston |
| 133967 | Adjustment screw (packing unit 3 pieces) for air micrometer |
| 133983 | Air connection piece 1/4" male thread |
| 133991 | Air piston head (packing unit 3 pieces) |
| 139188 | Material flow control with counter nut |
| 139964 | Air micrometer |
| 140574 | Control knob with screw |
| 140582 | Sealing element (packing unit 5 pieces) for fluid tip |
| 15438 | Paint needle packing |
| 6395 | CCS Clips, green, blue, red, black (packing unit 4 pieces) |
| 89771 | Spindle, cpl., f. round / flat spray control SATAjet 2000 HVLP |
| 91959 | Air piston rod |
| 93526 | Material connection, stainless steel |



| Tool kit |
|--|
| 9050 Universal spanner, Cleaning brush, Allen wrench 4 mm width, Allen wrench 2 mm width, Extraction tool, Paint strainer |

| Repair kit |
|----------------------------------|
| 130542 Repair kit |
| 92759 Air piston service unit |
| 183780 Sealing kit |

Extensions for SATAjet 1000 K RP

Standard nozzle

154435

Extension with standard nozzle (0°), 20 cm with nozzle set 1.5 RP for SATAjet 1000 K RP



154443

Extension with standard nozzle (0°), 30 cm with nozzle set 1.5 RP for SATAjet 1000 K RP

154450

Extension with standard nozzle (0°), 40 cm with nozzle set 1.5 RP for SATAjet 1000 K RP

Diagonal spray nozzle

154476

Extension with diagonal spray nozzle (45°), 20 cm with nozzle set 1.6 RP for SATAjet 1000 K RP



154484

Extension with diagonal spray nozzle (45°), 30 cm with nozzle set 1.6 RP for SATAjet 1000 K RP

154492

Extension with diagonal spray nozzle (45°), 40 cm with nozzle set 1.6 RP for SATAjet 1000 K RP

Angular head nozzle

154559

Extension with angular head nozzle (90°), 20 cm with nozzle set 1.5 RP for SATAjet 1000 K RP



154567

Extension with angular head nozzle (90°), 30 cm with nozzle set 1.6 RP for SATAjet 1000 K RP

154575

Extension with angular head nozzle (90°), 40 cm with nozzle set 1.5 RP for SATAjet 1000 K RP

Rotary nozzle

154518

Extension with rotary nozzle (360°), 20 cm with nozzle set 1.6 RP for SATAjet 1000 K RP



154526

Extension with rotary nozzle (360°), 30 cm with nozzle set 1.6 RP for SATAjet 1000 K RP

154534

Extension with rotary nozzle (360°), 40 cm with nozzle set 1.6 RP for SATAjet 1000 K RP

SATAMinijet 1000 K

RP/HVLP



| Technical Data | RP | HVLP |
|---|------------|---------------|
| Recommended air inlet pressure | 2,5 bar | 2,0 bar |
| Air inlet pressure field of application | 2,5 bar | 2,0 - 2,5 bar |
| Recommended spraying distance | 17 - 21 cm | 10 - 15 cm |
| Air consumption | 200 NI/min | 120 NI/min |
| Max. material inlet pressure | 10,0 bar | 10,0 bar |

| | 0,3 | 0,5 | 0,8 | 1,0 | 1,2 | 1,4 |
|--|-----|-----|-----|-----|-----|-----|
|--|-----|-----|-----|-----|-----|-----|

Spray gun

| | 0,3 | 0,5 | 0,8 | 1,0 | 1,2 | 1,4 |
|------|--------|--------|--------|--------|--------|--------|
| RP | 187450 | 187468 | 187476 | 187484 | 187492 | 197152 |
| HVLP | 190280 | 190298 | 190306 | 190314 | 190322 | - |

Nozzle set

| | 0,3 | 0,5 | 0,8 | 1,0 | 1,2 | 1,4 |
|------|--------|--------|--------|--------|--------|--------|
| RP | 187625 | 187633 | 187641 | 187658 | 187666 | 197160 |
| HVLP | 190348 | 190355 | 190363 | 190371 | 190389 | - |

Required Accessories

187419

SATA paint tube G 1/4 female thread - 1/4" male thread for SATAMinijet 1000 K



187690

SATA paint strainer 60 msh, 1/4" (male thread) for SATAMinijet 1000 K



199018

SATA paint tube G 1/4" (female thread) - 3/8" (male thread) for SATAMinijet 1000 K

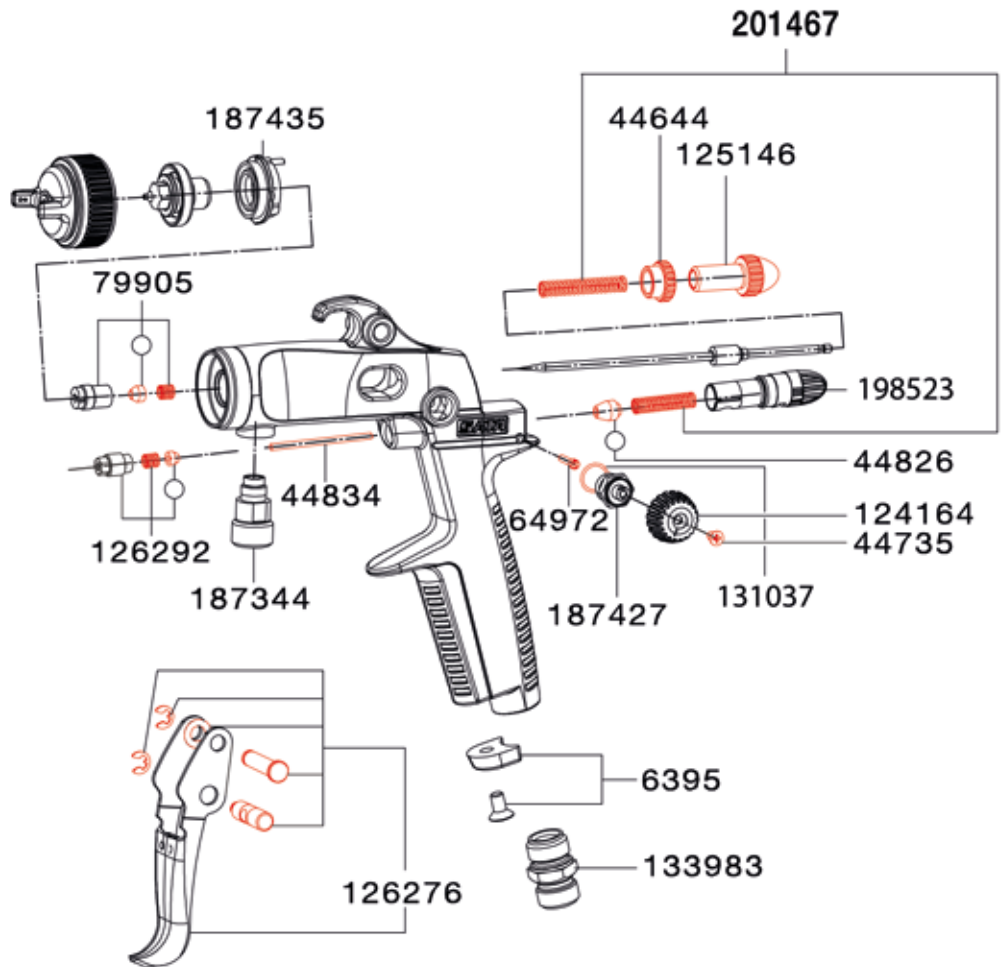


You will find further accessories at the end of this section.

Spare parts

SATAmijet 1000 K

| |
|--|
| 124164 |
| Control knob |
| 125146 |
| Material flow control screw |
| 126276 |
| Trigger kit |
| 126292 |
| Packing kit air piston rod SATAmijet 3000 B HVLP, minijet 4 HVLP |
| 131037 |
| O-Ring 7 x 1 mm SATAmijet 3000 B HVLP, minijet 4 HVLP |
| 133983 |
| Air connection piece 1/4" male thread |
| 187344 |
| Material connection, stainless steel |
| 187427 |
| Spindle for round/flat control |
| 187435 |
| Air distribution ring (packing unit 3 pieces) |
| 198523 |
| Air micrometer, complete |
| 201467 |
| Pressure spring (each 3 pieces) for paint needle and air piston |
| 44644 |
| Counter nut |
| 44735 |
| Countersunk screw M 2.5 x 5, VA |
| 44826 |
| Air piston head |
| 44834 |
| Air piston rod |
| 6395 |
| CCS Clips, green, blue, red, black (packing unit 4 pieces) |
| 64972 |
| Adjustment screw for air micrometer |
| 79905 |
| Paint needle packing |



Tool kit

125856
Universal spanner, Cleaning brush, Extraction tool,
Wrench



Repair kit

- 126284
Repair kit
- 50658
Sealing kit

SPRAY GUNS
CUP SYSTEMS
BREATHING PROTECTION
FILTER TECHNOLOGY
ADDITIONAL PRODUCTS
MERCHANDISING ITEMS

Article

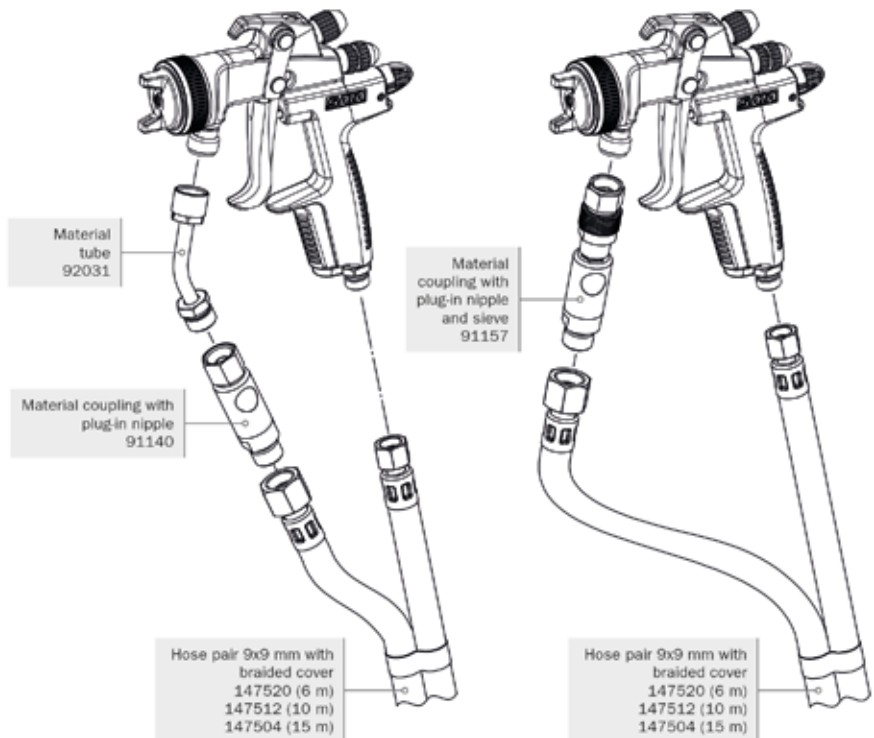
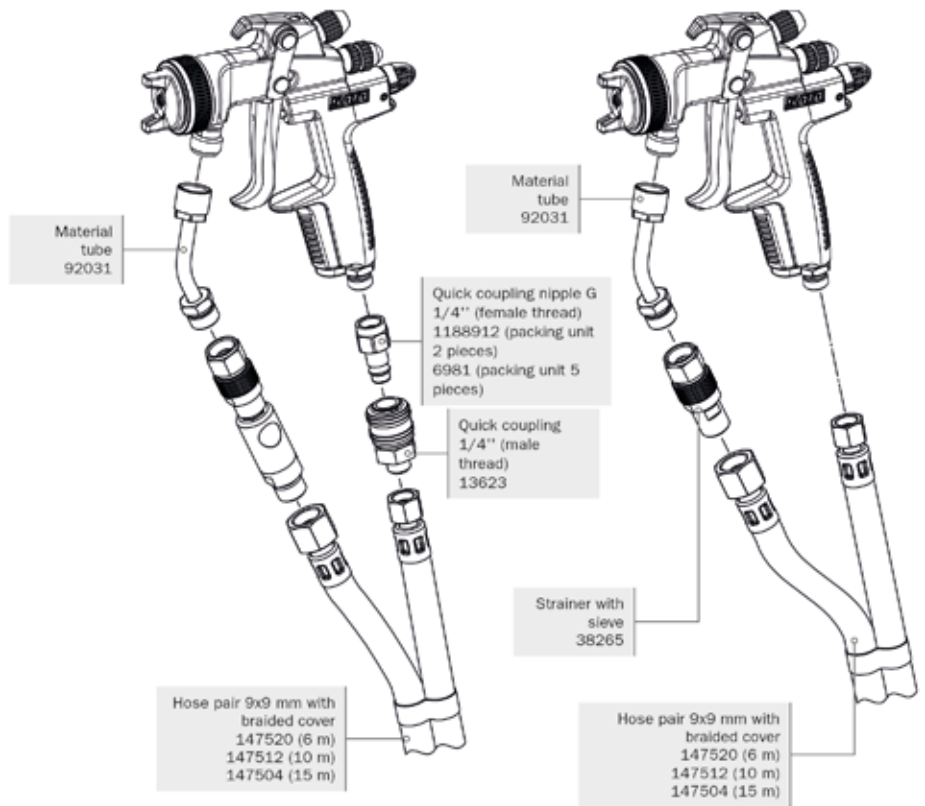
**Material and air connection
SATAjet 3000 K,
1000 K**

| | |
|---------|---|
| 1171751 | Ball tap (Teflon) with bilateral thread G 3/8" (female), 9 mm hose spout |
| 1188912 | SATA quick coupling nipple G 1/4" (female thread) |
| 13623 | SATA quick coupling 1/4" (male thread) |
| 147504 | SATA hose pair 9 x 9 mm, 15 m, with covering fabric netting, G 3/8" and G 1/2" (material), G 1/4" (air) (female thread) |
| 147512 | SATA hose pair 9 x 9 mm, 10 m, with covering fabric netting, G 3/8" and G 1/2" (material), G 1/4" (air) (female thread) |
| 147520 | SATA hose pair 9 x 9 mm, 6 m, with covering fabric netting, G 3/8" and G 1/2" (material), G 1/4" (air) (female thread) |
| 38265 | SATA paint strainer 60 msh, G 3/8" (female thread) and 3/8" (male thread) |
| 6981 | SATA quick coupling nipple G 1/4" (female thread) (packing unit 5 pieces) |
| 91140 | SATA material coupling 3/8" (male thread) with plug-in nipple G 3/8" (female thread) |
| 91157 | SATA material coupling 3/8" (male thread) with plug-in nipple G 3/8" (female thread) and material strainer 60 msh |
| 92031 | SATA paint tube G 3/8" (female thread) - 3/8" (male thread) |

Spare sieves

**Material and air connection
SATAjet 3000 K,
1000 K**

| | |
|-------|--|
| 12260 | Sieve 60 msh (packing unit 4 pieces) |
| 12278 | Sieve, 100 msh (packing unit 4 pieces) |
| 74856 | Strainer kit: Sieve 200 msh (4 pcs.) strainer holder (2 pcs.), screw (1 pcs.) |

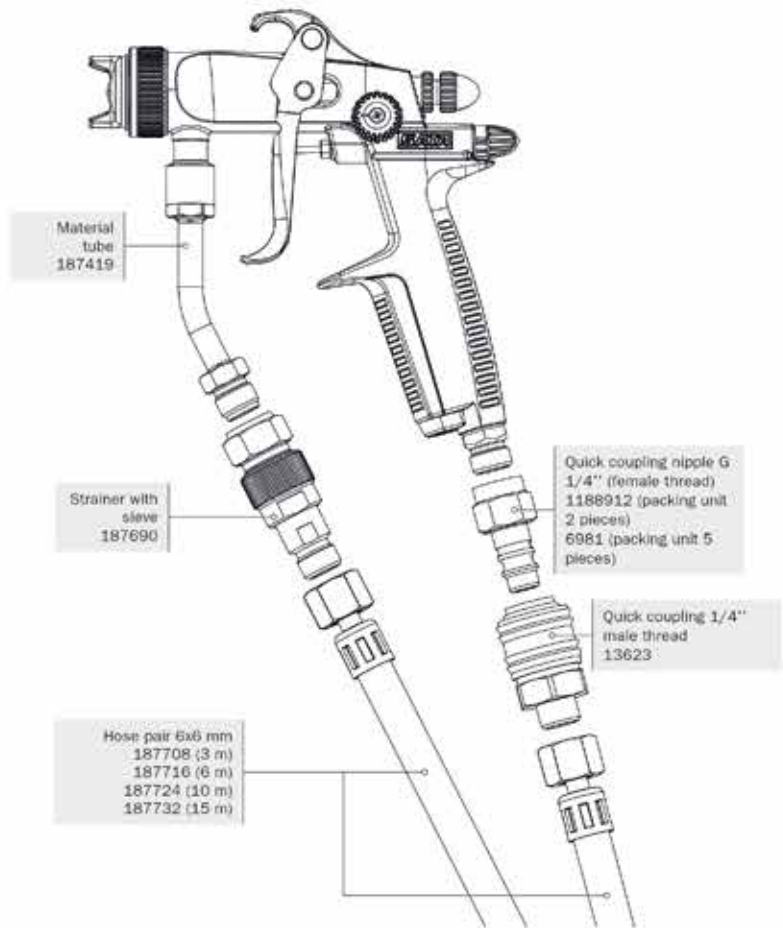
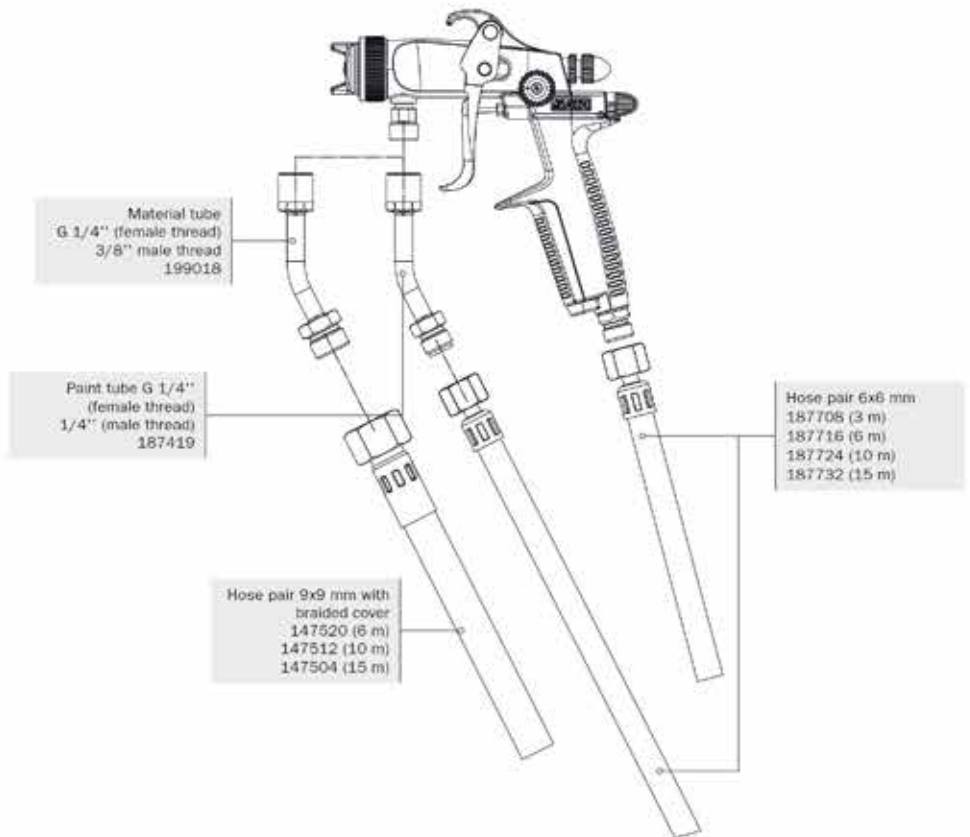


Article
Material and air connection
SATAminijet 1000 K

| | |
|---------|---|
| 1171751 | Ball tap (Teflon) with bilateral thread G 3/8" (female), 9 mm hose spout |
| 1188912 | SATA quick coupling nipple G 1/4" (female thread) |
| 13623 | SATA quick coupling 1/4" (male thread) |
| 147504 | SATA hose pair 9 x 9 mm, 15 m, with covering fabric netting, G 3/8" and G 1/2" (material), G 1/4" (air) (female thread) |
| 147512 | SATA hose pair 9 x 9 mm, 10 m, with covering fabric netting, G 3/8" and G 1/2" (material), G 1/4" (air) (female thread) |
| 147520 | SATA hose pair 9 x 9 mm, 6 m, with covering fabric netting, G 3/8" and G 1/2" (material), G 1/4" (air) (female thread) |
| 187419 | SATA paint tube G 1/4" female thread - 1/4" male thread |
| 187690 | SATA paint strainer 60 msh, 1/4" (male thread) |
| 187708 | SATA hose pair 6 x 6 mm, 3 m, G 1/4" (female thread) (material and air) |
| 187716 | SATA hose pair 6 x 6 mm, 6 m, G 1/4" and G 1/2" (material), G 1/4" (air) (female thread) |
| 187724 | SATA hose pair 6 x 6 mm, 10 m, G 1/4" and G 1/2" (material), G 1/4" (air) (female thread) |
| 187732 | SATA hose pair 6 x 6 mm, 15 m, G 1/4" and G 1/2" (material), G 1/4" (air) (female thread) |
| 199018 | SATA paint tube G 1/4" (female thread) - 3/8" (male thread) |
| 6981 | SATA quick coupling nipple G 1/4" (female thread) (packing unit 5 pieces) |

Spare sieves
Material and air connection SATA-minijet 1000 K

| | |
|-------|--|
| 12260 | Sieve 60 msh (packing unit 4 pieces) |
| 12278 | Sieve, 100 msh (packing unit 4 pieces) |
| 74856 | Strainer kit: Sieve 200 msh (4 pcs.) strainer holder (2 pcs.), screw (1 pcs.) |



All prices are recommended list prices. Errors, technical modifications and printing errors reserved.

SPRAY GUNS

CUP SYSTEMS

BREATHING PROTECTION

FILTER TECHNOLOGY

ADDITIONAL PRODUCTS

MERCHANDISING ITEMS

SATAjet K 1800 spray mix

spray mix



Technical Data

| | |
|--------------------------------|------------|
| Recommended air inlet pressure | variable |
| Recommended spraying distance | 18 - 25 cm |
| Air consumption | 120 NI/min |
| Max. material inlet pressure | 250 bar |

SATAjet K 1800 spray mix

Spray mix gun

1091454

SATAjet K 1800 spray mix with material tube and a long material filter for insert filter, filter (100 msh), paint nozzle not included

1090076

SATAjet K 1800 spray mix with material tube and a short material filter for gap filter, filter (100 msh), paint nozzle not included

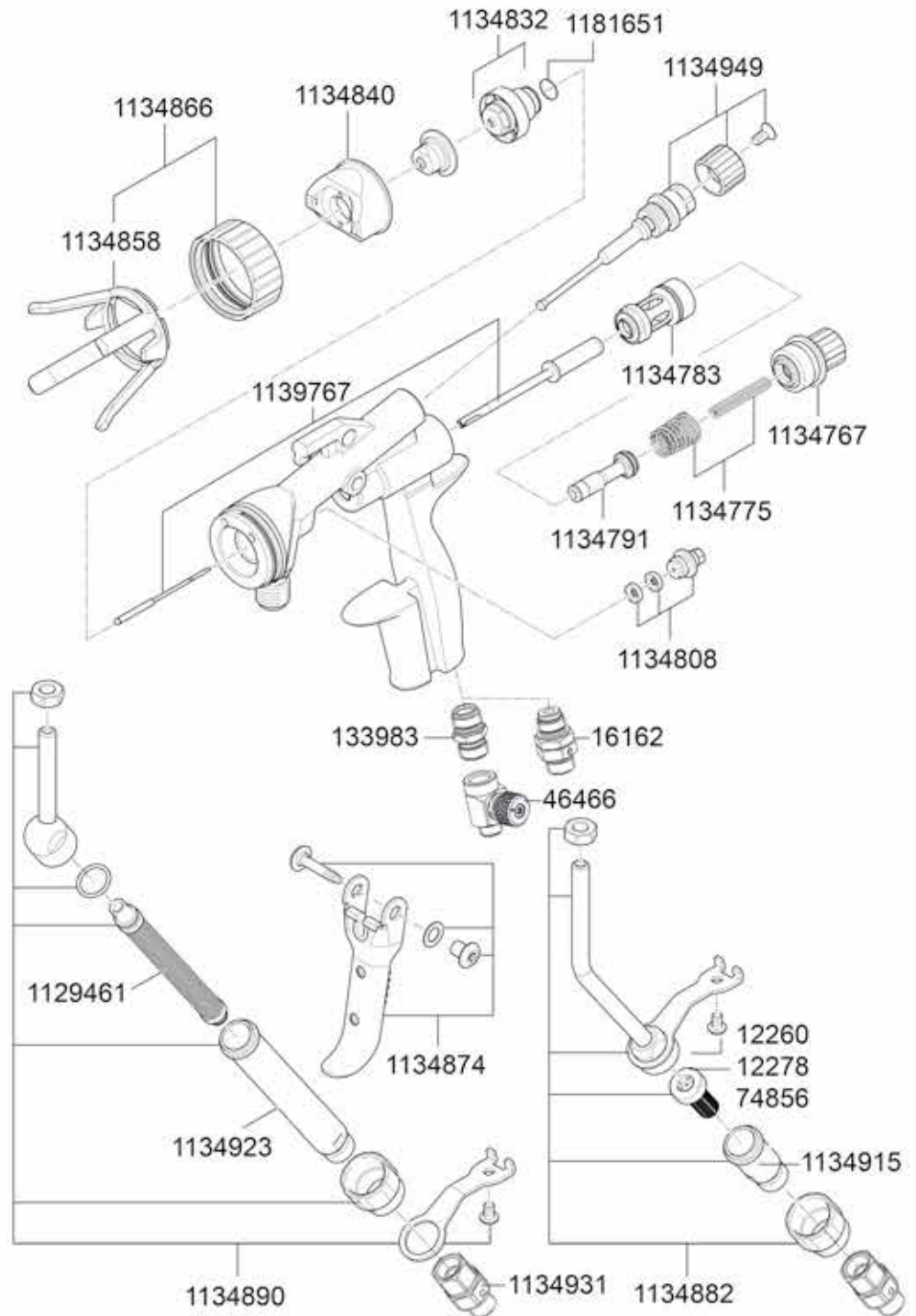
1068023

SATAjet K 1800 spray mix without material tube and material filter, paint nozzle not included

| Nozzle No. | Art. No. | Ø mm | Ø inch | Angle | Width | l/min at 70 bar | Strainer | Strainer |
|------------------|----------|---------|----------|-------|-------|-----------------|----------|----------|
| Fluid tip | | | | | | | | |
| 1840 | 23044 | 0,18 mm | 0,007 in | 40° | 18 cm | 0,16 l/min | 200 msh | 85 µm |
| 2325 | 7328 | 0,23 mm | 0,009 in | 25° | 14 cm | 0,23 l/min | 200 msh | 85 µm |
| 2350 | 7435 | 0,23 mm | 0,009 in | 50° | 22 cm | 0,23 l/min | 200 msh | 85 µm |
| 2360 | 74922 | 0,23 mm | 0,009 in | 60° | 24 cm | 0,23 l/min | 200 msh | 85 µm |
| 2825 | 16998 | 0,28 mm | 0,011 in | 25° | 14 cm | 0,30 l/min | 200 msh | 85 µm |
| 2850 | 50906 | 0,28 mm | 0,011 in | 50° | 22 cm | 0,30 l/min | 200 msh | 85 µm |
| 2865 | 13771 | 0,28 mm | 0,011 in | 65° | 26 cm | 0,30 l/min | 200 msh | 85 µm |
| 3325 | 20206 | 0,33 mm | 0,013 in | 25° | 14 cm | 0,45 l/min | 100 msh | 150 µm |
| 3350 | 50898 | 0,33 mm | 0,013 in | 50° | 23 cm | 0,45 l/min | 100 msh | 150 µm |
| 3365 | 13789 | 0,33 mm | 0,013 in | 65° | 28 cm | 0,45 l/min | 100 msh | 150 µm |
| 3375 | 74930 | 0,33 mm | 0,013 in | 75° | 32 cm | 0,45 l/min | 100 msh | 150 µm |
| 3390 | 73742 | 0,33 mm | 0,013 in | 90° | 40 cm | 0,45 l/min | 100 msh | 150 µm |
| 3825 | 13797 | 0,38 mm | 0,015 in | 25° | 15 cm | 0,61 l/min | 100 msh | 150 µm |
| 3850 | 7344 | 0,38 mm | 0,015 in | 50° | 25 cm | 0,61 l/min | 100 msh | 150 µm |
| 3882 | 74948 | 0,38 mm | 0,015 in | 82° | 34 cm | 0,61 l/min | 100 msh | 150 µm |
| 4650 | 19307 | 0,46 mm | 0,018 in | 50° | 25 cm | 0,95 l/min | 60 msh | 250 µm |
| 4682 | 74955 | 0,46 mm | 0,018 in | 82° | 35 cm | 0,95 l/min | 60 msh | 250 µm |
| 5370 | 150276 | 0,53 mm | 0,021 in | 70° | 33 cm | 1,28 l/min | 60 msh | 250 µm |
| 6050 | 17004 | 0,60 mm | 0,024 in | 50° | 31 cm | 1,59 l/min | 60 msh | 250 µm |

Spare parts
SATAjet K 1800
spray mix

| |
|--|
| 1129461 |
| Insert filter, yellow, 100 mesh, pack of 10 pieces |
| 1134767 |
| Locking screw cpl. with sealing washer |
| 1134775 |
| Spare spring set (1 each air piston and paint needle spring) |
| 1134783 |
| Air piston sleeve cpl. |
| 1134791 |
| Air piston cpl. |
| 1134808 |
| Packing screw incl. 2 pcs. paint needle packing |
| 1134832 |
| Pre-nozzle cpl. |
| 1134840 |
| Air cap cpl. |
| 1134858 |
| Protection against accidental contact |
| 1134866 |
| Air cap ring cpl. |
| 1134874 |
| Trigger cpl. (for SATAjet K 1800 spray mix) |
| 1134882 |
| Material connection, short, for wedge wire screen, without material filter housing |
| 1134890 |
| Material connection, long, for inline filter, without material filter housing |
| 1134915 |
| Material filter housing, short, for wedge wire screen |
| 1134923 |
| Material filter housing, long, for inline filter |
| 1134931 |
| Material swivel joint |
| 1134949 |
| Round/flat spray fan control cpl. |
| 1139767 |
| Paint needle cpl. (paint needle and paint needle rod) |
| 1181651 |
| Pre-nozzle packing |
| 1181669 |
| Air distribution ring for pre-nozzle |
| 12260 |
| Sieve 60 msh (packing unit 4 pieces) |
| 12278 |
| Sieve 100 msh (packing unit 4 pieces) |
| 133983 |
| Air connection piece 1/4" male thread |
| 16162 |
| Swivel joint |
| 48934 |
| SATA air micrometer, 1/4" (male thread) |
| 74856 |
| Strainer kit: Sieve 200 msh (4 pcs.) strainer holder (2 pcs.), screw (1 pcs.) |



Repair kit

1112854
 SATA nozzle cleaning kit, includes sealing insert and cap

SATAjet 1000 H

RP



| | |
|---|---------------|
| Technical Data | RP |
| Recommended air inlet pressure | 2,0 bar |
| Air inlet pressure field of application | 2,0 - 2,5 bar |
| Recommended spraying distance | 17 - 21 cm |
| Air consumption | 275 NI/min |



| | | | |
|-----|-----|-----|-----|
| 1,3 | 1,6 | 1,8 | 2,0 |
|-----|-----|-----|-----|

Spray gun with 1.0 l aluminium suction cup without swivel joint

| | | | | |
|----|--------|--------|--------|--------|
| RP | 161034 | 151266 | 151274 | 153353 |
|----|--------|--------|--------|--------|

Nozzle set

| | | | | |
|----|--------|--------|--------|--------|
| RP | 161059 | 151613 | 151621 | 153379 |
|----|--------|--------|--------|--------|

SPRAY GUNS

CUP SYSTEMS

BREATHING PROTECTION

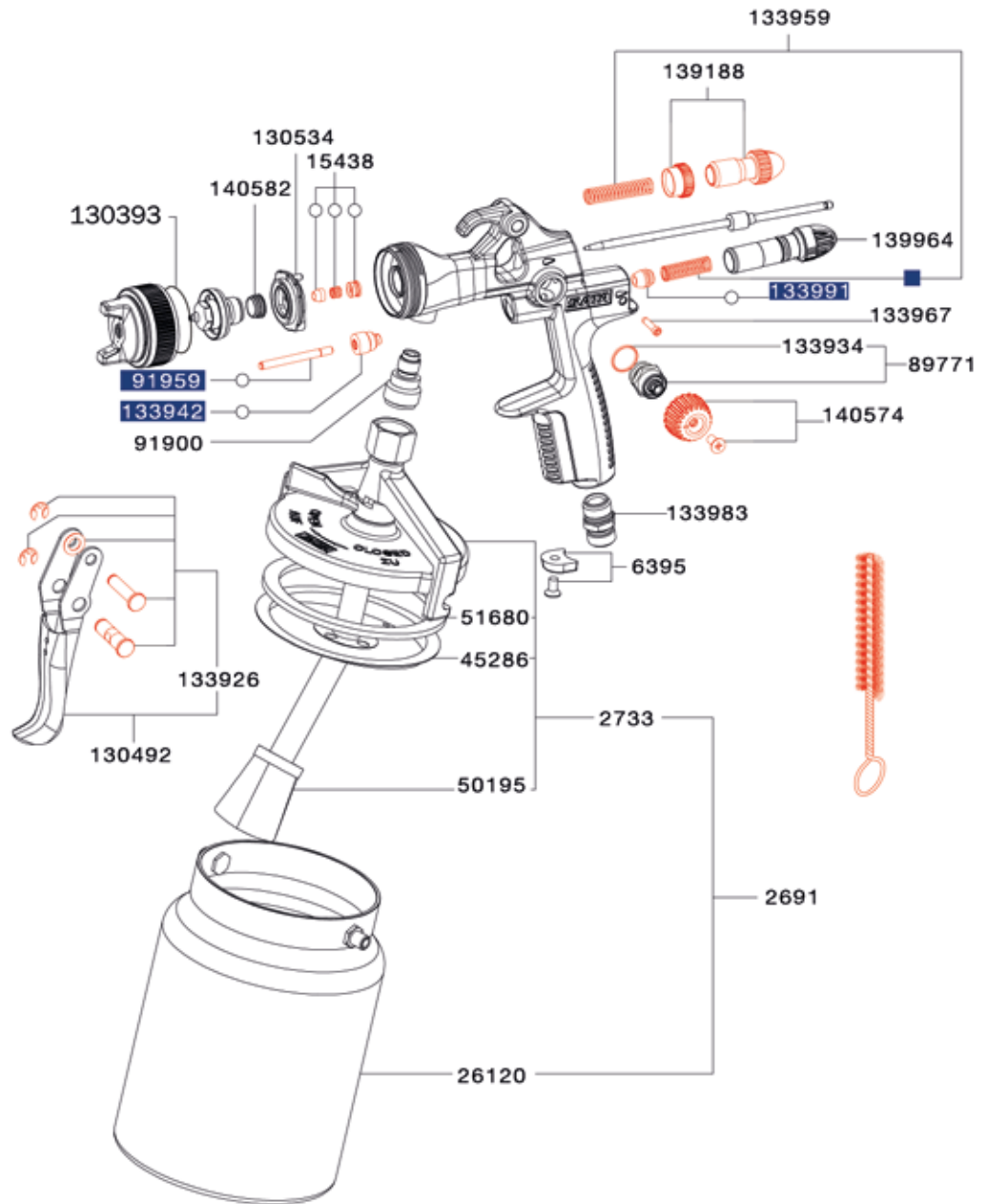
FILTER TECHNOLOGY

ADDITIONAL PRODUCTS

MERCHANDISING ITEMS

Spare parts
SATAjet 1000 H

| |
|--|
| 1097379 |
| Universal spanner (pack of 3 pieces) |
| 130393 |
| Sealing ring for air cap ring SATAjet 100 and 1000 |
| 130492 |
| Trigger kit |
| 130534 |
| Air distribution ring (packing unit 3 pieces) |
| 133926 |
| Trigger sleeve kit |
| 133934 |
| Sealing (packing unit 3 pieces) for spindle |
| 133942 |
| Seal retainer, cpl. |
| 133959 |
| Pressure spring (3 pieces) for paint needle and air piston |
| 133967 |
| Adjustment screw (packing unit 3 pieces) for air micrometer |
| 133983 |
| Air connection piece 1/4" male thread |
| 133991 |
| Air piston head (packing unit 3 pieces) |
| 139188 |
| Material flow control with counter nut |
| 139964 |
| Air micrometer |
| 140574 |
| Control knob with screw |
| 140582 |
| Sealing element (packing unit 5 pieces) for fluid tip |
| 15438 |
| Paint needle packing |
| 26120 |
| 1.0 l aluminium suction cup, without lid |
| 2691 |
| 1.0 l aluminium suction cup, cpl. |
| 2733 |
| Lid fitting |
| 45286 |
| Anti-drip device (pack of 4 pieces) |
| 50195 |
| Strainer (packing unit 2 pieces) |
| 51680 |
| Sealing ring (packing unit 4 pieces) |
| 6395 |
| CCS Clips, green, blue, red, black (packing unit 4 pieces) |
| 89771 |
| Spindle, cpl., f. round / flat spray control SATAjet 2000 HVLP |
| 91900 |
| Material connection, stainless steel |
| 91959 |
| Air piston rod |



Tool kit

9050
Universal spanner, Cleaning brush, Allen wrench 4 mm width, Allen wrench 2 mm width, Extraction tool, Paint strainer



Repair kit

- 130542
Repair kit
- 92759
Air piston service unit
- o 183780
Sealing kit



SATAjet H

HD



| | |
|---|------------------|
| Technical Data | SATAjet H |
| Recommended air inlet pressure | 4,0 bar |
| Air inlet pressure field of application | 4,0 bar |
| Recommended spraying distance | 18 - 23 cm |
| Air consumption | 380 NI/min |

| | 1,5 E | MSH | 2,0 E |
|---|-------|-------|-------|
| Spray gun with 1.0 l aluminium suction cup | | | |
| HR | 23721 | 23747 | 23739 |
| Nozzle set | | | |
| HR | 23663 | 23697 | 23689 |

SPRAY GUNS

CUP SYSTEMS

BREATHING PROTECTION

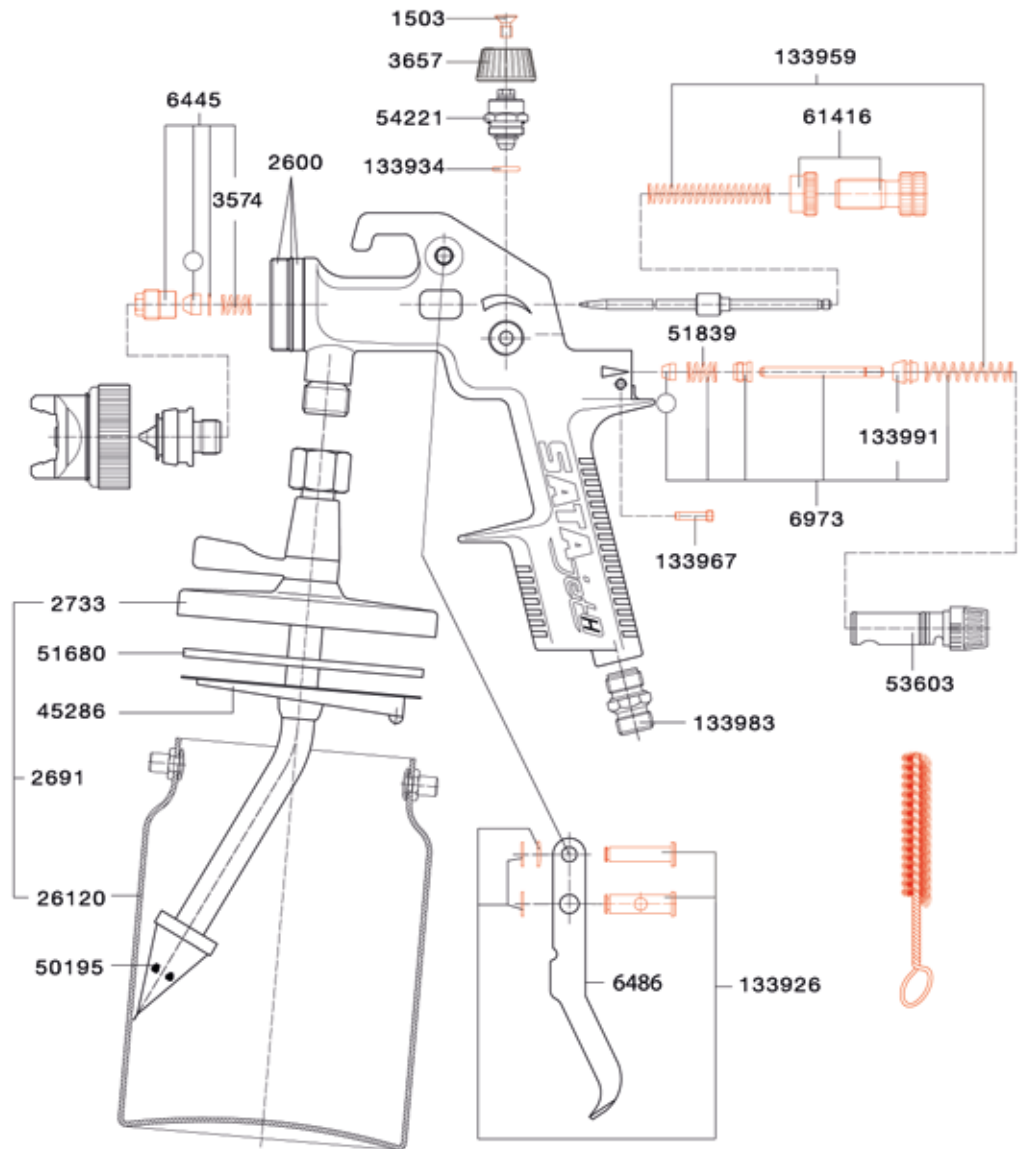
FILTER TECHNOLOGY

ADDITIONAL PRODUCTS

MERCHANDISING ITEMS

Spare parts
SATAjet H

| |
|--|
| 133926 |
| Trigger sleeve kit |
| 133934 |
| Sealing (packing unit 3 pieces) for spindle |
| 133959 |
| Pressure spring (3 pieces) for paint needle and air piston |
| 133967 |
| Adjustment screw (packing unit 3 pieces) for air micrometer |
| 133983 |
| Air connection piece 1/4" male thread |
| 133991 |
| Air piston head (packing unit 3 pieces) |
| 1503 |
| Countersunk screw M4 x 8 DIN 965, stainless steel, for micrometer und round/flat spray control |
| 2600 |
| Service unit for nozzle insert for SATAjet/B, H, K and NR 92, consisting of nozzle insert, distribution plate and sealing ring |
| 26120 |
| 1.0 l aluminium suction cup, without lid |
| 2691 |
| 1.0 l aluminium suction cup, cpl. |
| 2733 |
| Lid fitting |
| 3574 |
| Pressure spring for |
| 3657 |
| Control knob |
| 45286 |
| Anti-drip device (pack of 4 pieces) |
| 50195 |
| Strainer (packing unit 2 pieces) |
| 51680 |
| Sealing ring (packing unit 4 pieces) |
| 51839 |
| Pressure spring (packing unit 12 pieces) for air piston packing |
| 53603 |
| Air micrometer |
| 54221 |
| Spindle complete, for SATAjet/90, SATAjet, regulation valve and MC-B |
| 61416 |
| Material flow control with counter nut |
| 6445 |
| Paint needle packing |
| 6486 |
| Trigger kit |
| 6973 |
| Air piston servicing unit |



Tool kit

9654
Universal spanner, Cleaning brush, Allen wrench 4 mm width, Allen wrench 2 mm width, Paint strainer, Socket wrench 7 mm width



Repair kit

- 70623
Repair kit
- 50666
Sealing kit

SATAjet 20 B

ND



Technical Data **SATAjet 20 B**

| | |
|--------------------------------|-----------|
| Recommended air inlet pressure | 1,0 bar |
| Air consumption | 40 NI/min |
| Recommended spraying distance | variable |

| | | | | |
|-----|------|-----|-----|-----|
| 0,2 | 0,35 | 0,5 | 0,8 | 1,0 |
|-----|------|-----|-----|-----|

Spray gun with 65 ml plastic cup

| | | | | |
|---------|-------|-------|-------|-------|
| € 65078 | 65581 | 65649 | 66316 | 69229 |
|---------|-------|-------|-------|-------|

Spray gun with 65 ml plastic cup, glass plug-on cup and 3 glass jars with blank lid

| | | | | |
|---------|-------|-------|-------|-------|
| € 86181 | 86199 | 86207 | 86215 | 86223 |
|---------|-------|-------|-------|-------|

Nozzle set

| | | | | |
|---------|-------|-------|-------|-------|
| € 60459 | 60640 | 61200 | 61341 | 61523 |
|---------|-------|-------|-------|-------|

SATAjet 20 B 0,2 fineline

189035

SATAjet 20 B nozzle 0.2 fineline, 65 ml reusable plastic cup

189043

Nozzle set SATAjet 20 B fineline 0.2

SATAjet 20 B design set

90381

SATAjet 20 B design set 0.5 with accessories in case



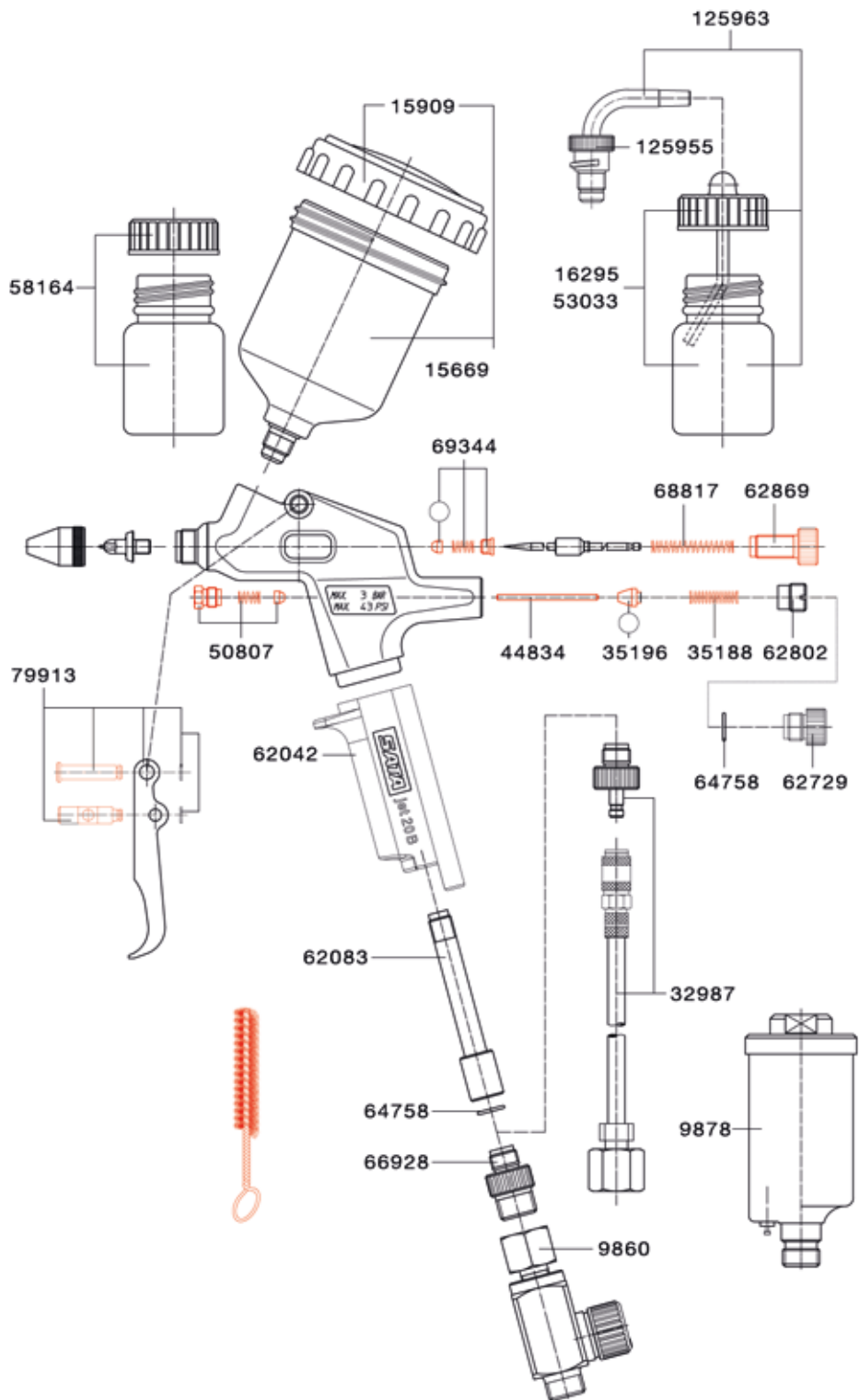
Completely assembled air hoses see SATA hoses.

Line thicknesses SATAjet 20 B

| | | |
|--------|--|-------------------------|
| 0.2 mm | | Nozzle set fineline 0.2 |
| 0.6 mm | | Nozzle set 0.2 |
| 0.8 mm | | Nozzle set 0.35 |
| 1.1 mm | | Nozzle set 0.5 |
| 1.5 mm | | Nozzle set 0.8 |
| 1.9 mm | | Nozzle set 1.0 |

Spare parts
SATAjet 20 B

| | |
|--------|---|
| 125955 | Plug-in cup connection with QCC SATAjet 20 B, dekor 2000, minijet 3000 B HVLP, minijet 4 HVLP |
| 125963 | 25 ml glass cup with plug-in lid (packing unit 5 pieces) and QCC plug-in connection (packing unit 1 piece) |
| 15669 | 65 ml PVC reusable cup, cpl. |
| 15909 | PVC screw-on lid 65 ccm PVC cup SATAjet 20 B, dekor 2000 |
| 16295 | 25 ml glass cup with plug-in cup |
| 32987 | SATA PVC compressed air hose, transparent, 3 m long with G 1/4" (female thread), mini quick coupling and nipple |
| 35188 | Pressure spring for air piston |
| 35196 | Air piston head |
| 44834 | Air piston rod |
| 50807 | Service unit air piston rod SATAjet 20 B, dekor 2000, minijet 3 HVLP |
| 53033 | 25 ml glass cup with plug-in cup (packing unit 5 pieces) |
| 58164 | 25 ml glass cup with blind lid (packing unit 5 pieces) |
| 62042 | Spray gun handle SATAjet 20 B, dekor 2000 |
| 62083 | Air pipe |
| 62729 | Closing screw SATAjet 20 B, dekor 2000 |
| 62802 | Compression screw 1/8" (male thread) |
| 62869 | Material flow control screw |
| 64758 | O-ring |
| 66928 | Air connection 1/8" (male thread) - 1/4" (male thread) |
| 68817 | Pressure spring for paint needle |
| 69344 | Paint needle packing |
| 79913 | Trigger kit |
| 9860 | SATA air micrometer 0-845, 1/4" (male thread) and G 1/4" (female thread) |
| 9878 | SATA mini filter 1/4" (male thread) |



Tool kit

9373
Universal spanner, Cleaning brush, Hexagonal screwdriver



Repair kit

- 91165
Repair kit
- 69427
Sealing kit

SATAglyph 4

ND



| | |
|--------------------------------|--------------------|
| Technical Data | SATAglyph 4 |
| Recommended air inlet pressure | variabel bar |
| Air consumption | 10 NI/min |
| Recommended spraying distance | variable |



SATAglyph 4 - The Universal Airbrush (in the plastic box)

227629

SATAglyph 4 nozzle 0.5 with 7 ml standard cup



227645

SATAglyph 4 nozzle 0.5 with 6 ml suction cup



227637

SATAglyph 4 nozzle 0.5 with 7 ml side cup



0,5

Nozzle set

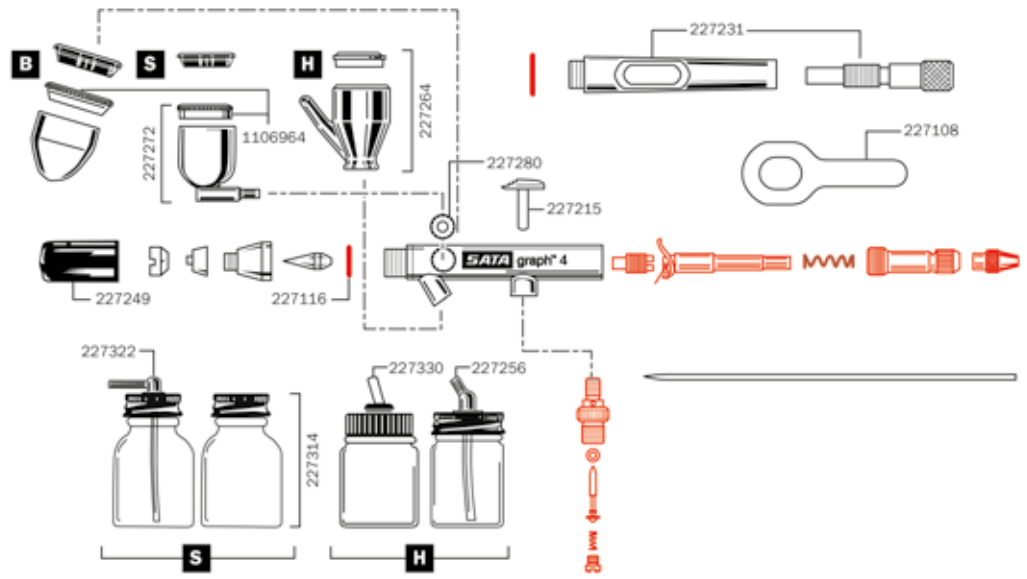
≅ 227363

Spare parts
SATAglyph 4

| | |
|--------|--|
| 227108 | Wrench for nozzle head |
| 227116 | O-Ring (packing unit 5 pieces) |
| 227215 | Trigger |
| 227231 | Handle end piece, complete |
| 227249 | Protection cap for paint needle |
| 227256 | 23 ml glass cup, cpl. |
| 227264 | 6 ml metal suction cup, cpl. |
| 227272 | 7 ml metal side cup, cpl. |
| 227280 | Plug for material supply from the side, red |
| 227306 | Lid for metal paint cup, side cup and gravity flow cup version |
| 227314 | 30 ml glass cup, cpl. with neutral lid |
| 227322 | 30 ml glass cup, cpl. |
| 227330 | 23 ml glass cup, cpl. with Fast Blast |

Hoses and nipples
SATAglyph 4

| | |
|--------|---|
| 32615 | Coupling nipple (packing unit 3 pieces) |
| 32987 | SATA PVC compressed air hose, transparent, 3 m long with G 1/4" (female thread), mini quick coupling and nipple |
| 134791 | SATA Fibre air hose, 2.5 m long with G 1/4" (female thread), mini quick coupling |



Repair kit

227348
Repair kit

SATA adam 2

| | |
|----------------------------|--------------------|
| Technical Data | SATA adam 2 |
| Max. operating pressure | 10,0 bar |
| Max. operating temperature | +60 °C |
| Display accuracy | +/- 0,05 bar |



Available versions

211540

SATA adam 2 >bar< for SATAjet 5000 series



1031723

SATA adam 2 black >bar< for SATAjet 5000 series



160846

SATA adam 2 >bar< for SATA spray guns except for SATAminijet and SATAjet 5000 series



160879

SATA adam 2 mini >bar< for SATAminijet 4400 B, SATAminijet 3000 B and SATAminijet 1000 K/H



195214

SATA adam 2 U (air micrometer with adam 2 display bar)



Spare parts & Accessories

160689

SATA adam 2 display "bar"



1031682

SATA adam 2 black display "bar"




211565



SATA adam 2 dock for SATAjet 5000 series








Spare parts & Accessories

| | | |
|--------|--|---|
| 211573 | SATA adam 2 dock (packing unit 2 pieces) for SATAjet 5000 series | |
| 160788 | SATA adam 2 dock for SATA spray guns except for SATAmijinjet and SATAjet 5000 series | |
| 160796 | SATA adam 2 dock (packing unit 2 pieces) for SATA spray guns except for SATAmijinjet and SATAjet 5000 series | |
| 160861 | SATA adam 2 mini dock for SATAmijinjet spray guns | |
| 195230 | SATA adam 2 U dock (air micrometer 1/4" male thread and G 1/4" female thread with SATA dock) |  |
| 195925 | SATA dock with 1/8" (male thread) | |
| 162081 | SATA dock protect (packing unit 5 pieces) for SATA adam 2 | |
| 160739 | Battery kit for SATA adam 2 | |
| 162164 | Locking clip (packing unit 5 pieces) for SATA adam 2 | |
| 162172 | O-ring (packing unit 2 pieces) for SATA adam 2 | |
| 203117 | Reducing piece 1/4" (male thread) and G 1/8" (female thread) | |

Pressure gauges and micrometer

| | | |
|-------|---|---|
| 27771 | SATA air micrometer with gauge, 1/4" (male thread) and G 1/4" (female thread) |  |
| 4002 | Spray pressure control unit | |
| 9860 | SATA air micrometer 0-845, 1/4" (male thread) and G 1/4" (female thread) |  |

All prices are recommended list prices. Errors, technical modifications and printing errors reserved.

| | SATAjet X 5500 PHASER SATAjet X 5500 SATAjet 5000 B PHASER SATAjet 5000 B | SATAjet 4000 B | SATAjet 3000 B | SATAjet 1000 B | SATAjet 100 B | SATAjet B, SATAjet GR | SATAmijinjet 4400 B SADAmijinjet 3000 B SATAmijinjet 4 | SATA dry jet | Competitor spray guns | Repotizing micrometer with pressure gauge #27771 | Repotizing atomisation air control gauge #4002 | Filters and systems with G 1/8" female thread |
|---|--|----------------|----------------|----------------|---------------|-----------------------|--|--------------|-----------------------|--|---|--|
|  211540 adam 2 | X | | | | | | | | | | | |
| 1031723 adam 2 black | | | | | | | | | | | | |
|  160846 adam 2 | | X | X | X | X | X | | | | | | |
|  160879 adam 2 mini | | | | | | | X | | | | | |
|  195214 adam 2 U | X | X | X | X | X | X | X | X | X | | | |
|  195925 SATA dock with 1/8" male thread | | | | | | | | | | X | X | X |

SPRAY GUNS

CUP SYSTEMS

BREATHING PROTECTION

FILTER TECHNOLOGY

ADDITIONAL PRODUCTS

MERCHANDISING ITEMS

SATA QMR, Quick Material Regulator



Available versions

1202019

SATA QMR, Quick Material Regulator (pack of 1 piece) for jet X



1186213

SATA QMR, Quick Material Regulator (pack of 1 piece) for SATAjet 5000 series



1162817

SATA QMR, Quick Material Regulator (pack of 2 pieces) for SATAjet 5000 series



1185596

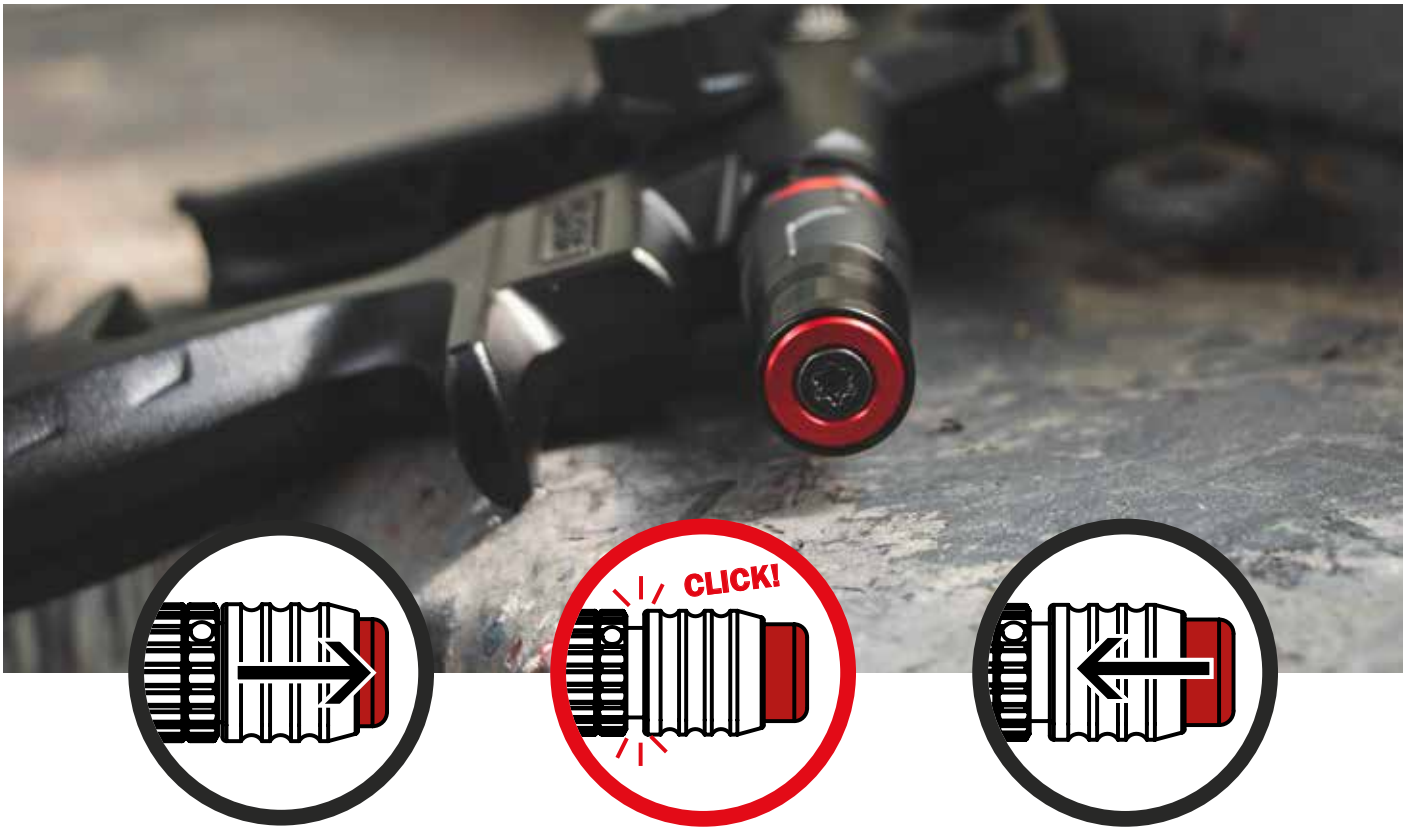
SATA QMR, Quick Material Regulator (pack of 1 piece) for SATAjet 100, 1000 and jet 1500



1185603

SATA QMR, Quick Material Regulator (pack of 1 piece) for SATAminijet 4400





SATA QMR

Discover the revolutionary SATA QMR – Quick Material Regulator!

When application processes require frequent recurring adjustments between reduced and fully open material flow rates, the SATA QMR is the solution to save time and money.

This **material flow regulation device** allows to **preset the required reduced material flow rate** which can then be activated quickly, precisely and in reproducible fashion **at the push of a button**.

The **"release function"** allows the painter to conveniently switch back to the **fully open** position within seconds.

The SATA QMR does not require servicing, is easy to handle and can be retrofitted for the following paint spray guns:

- jet X
- SATAminijet 4400 B
- SATAjet X 5500
- SATAjet 1000 series
- SATAjet 5000 B
- SATAjet 100 series

PRODUCT BENEFITS

- The position of the material flow regulator, and therefore the material flow rate, can be adjusted at the push of a button.
- Helps the user to quickly and reproducibly set the required material flow rate
- Retrofittable, maintenance-free and user-friendly
- Suitable for application processes where specific, reduced material flow rates are a regular requirement
- Release function: By simply pulling, the material flow control is fully released.

FOR FURTHER INFORMATION:



www.sata.com/qmr



Spray gun cases



Spray Gun Cases

1079137

SATA case, umbra (47 x 37 x 18 cm), incl. inserts for 5 spray guns; material: plastic



1086976

Foam inlay, black, for 5 spray guns, incl. cover insert

1080142

SATA case, umbra (30 x 23 x 13 cm), incl. inserts for 2 spray guns; material: plastic



1056268

Foam insert, black, for 2 spray guns, incl. cover insert

Spray Gun Cases

153288

SATA case, black (63 x 50 x 30 cm) with trolley function, without print, incl. individual insert; Material: plastic



174128

SATA case, silver (45 x 33 x 15 cm), without print, incl. inserts for 5 spray guns; material: aluminium



169706

Foam insert, blue/black for 5 spray guns, incl. cover insert

SPRAY GUNS

CUP SYSTEMS

BREATHING PROTECTION

FILTER TECHNOLOGY

ADDITIONAL PRODUCTS

MERCHANDISING ITEMS

Accessories for spray guns

Air connection

99895

Flexible quick coupling nipple G 1/4" (female thread)



6981

SATA quick coupling nipple G 1/4" (female thread) (packing unit 5 pieces)



1188912

SATA quick coupling nipple G 1/4" (female thread) (pack of 2 pieces)

Storage

1103522

SATA universal spray gun holder, foldable, magnetic



1110527

SATA universal spray gun holder, foldable



192195

SATA universal spray gun and hose holder for all SATA spray guns



134916

Triple spray gun holder for wall mounting



9886

SATA gravity gun holder for gravity cup spray guns



134882

Spray gun holder with strainer holder



134932

Insert for spray gun holder with strainer holder for SATAminijet

69328

SATA spray gun holder for SATAminijet 4400 B, minijet 3000 B, jet 20 B



40188

SATA Spray Gun Holder



Storage

1750
Spray Gun Display Plinth



Other Accessories

59675
SATA dosenboy, to cut out can lids from cans up to 36 cm height



59667
Blade for SATA dosenboy

59659
Wheel for SATA DOSENBOY

16477
SATA compressed air-driven hand agitator



9845
SATA viscosity cup 4.0 mm, flow time tolerance < 1 sec.



9852
SATA viscosity cup 4.0 mm, flow time tolerance < 1.5 sec.

3988
Paint strainer, 300 µm (packing unit 10 pieces) for SATA spray guns except for SATAminijet 3000 B

76018
Paint strainer, 300 µm (packing unit 100 pieces) for SATA spray guns except for SATAminijet 3000 B

76026
Paint strainer, 300 µm (packing unit 500 pieces) for SATA spray guns except for SATAminijet 3000 B

1054006
Air cap protector, black (packing unit 5 pieces) for SATAjet 3000, 4000, 5000 series



1054014
Air cap protector, black (packing unit 5 pieces) for SATAjet 100 and 1000 series

1054030
Air cap protector, black (packing unit 5 pieces) for SATAminijet 4400 B

1054022
Air cap protector, black (packing unit 5 pieces) for SATAminijet 1000/3000 B

1040815
Air cap protector UV, black (packing unit 5 pieces) for SATAjet 3000, 4000, 5000 series



1040807
Air cap protector UV, black (packing unit 5 pieces) for SATAjet 100 and 1000 series

1044594
Air cap protector UV, black (packing unit 5 pieces) for SATAminijet 4400 B

Cleaning and Maintenance of Spray Guns

Storage

60095

SATAclean wet holding tray for 3 spray guns



Cleaning accessories

162628

SATA care set spray gun care bag containing 1 large cleaning brush, 5 medium-sized cleaning brushes, 5 double-sided cleaning brushes, 12 nozzle cleaning needles, 1 tube high performance grease, silicone- and acid-free, 100 g



48173

SATA high performance grease, silicone- and acid-free, 100 ml for spray guns



62174

SATA nozzle cleaning needles (pack of 12 pieces)



9894

SATA nozzle cleaning needles (pack of 36 pieces, packed to 12 pieces each)



64030

SATA cleaning kit with 2 cleaning brushes, medium and 12 nozzle cleaning needles



6007

Cleaning brush (packing unit 10 pieces) for spray guns



9209

Cleaning brush, double-sided (pack of 10 pieces) for spray guns



158840

Cleaning brush, large (packing unit 5 pieces) for spray guns



29280

Cleaning brush (packing unit 10 pieces) for suction pipe of suction cup spray guns

Quality Control

161596

SATA cert, with archive, spray pattern block, single sheet holder and distance marker



161646

Spray pattern blocks with 25 sheets (packing unit 2 pieces) for SATA cert

161661

Distance marker for SATA cert

Disassembly of nozzle set jet X



1 First remove paint needle.



2 Followed by the cap.



3 Finally, unscrew the paint nozzle using the ring wrench integrated in the universal wrench.



4 Alternatively, the integrated tool within the trigger can be used.

Cleaning and drying of the jet X



1 Clean the material passage



2 Clean the spray gun body



3 Dry with blow gun

When cleaning, make sure to use suitable brushes, that cannot damage the nozzle set or the spray gun. In addition, no cleaning agent may enter the air channels of the gun body. Ideally, SATA cleaning brushes and SATA nozzle cleaning needles should be used to ensure optimum cleaning.

Cleaning the nozzle set of the jet X



Disconnect the spray gun from the compressed air supply before carrying out any maintenance or cleaning work. Neutral cleaning agents (pH value 6 to 8) should be used. Do not immerse the spray gun in cleaning agents.

Further information and notes can be found in the operating instructions or at www.sata.com/firstaid

Assembly and maintenance of the jet X



1 Assembly of the fluid tip



2 Tighten fluid tip by hand using the universal spanner.



3 Alternatively, the integrated tool within the trigger can be used.



4 Assembly of the air cap



5 Grease paint needle around the needle packing area



6 Insert paint needle



7 Grease and insert paint needle spring



8 Grease and insert the trigger



9 Grease thread of material flow control screw



10 Installing material flow regulation screw



11 Assemble the QAC-Cover



12 Align the air nozzle with the universal wrench (optional)

Spare parts jet X

SPRAY GUNS

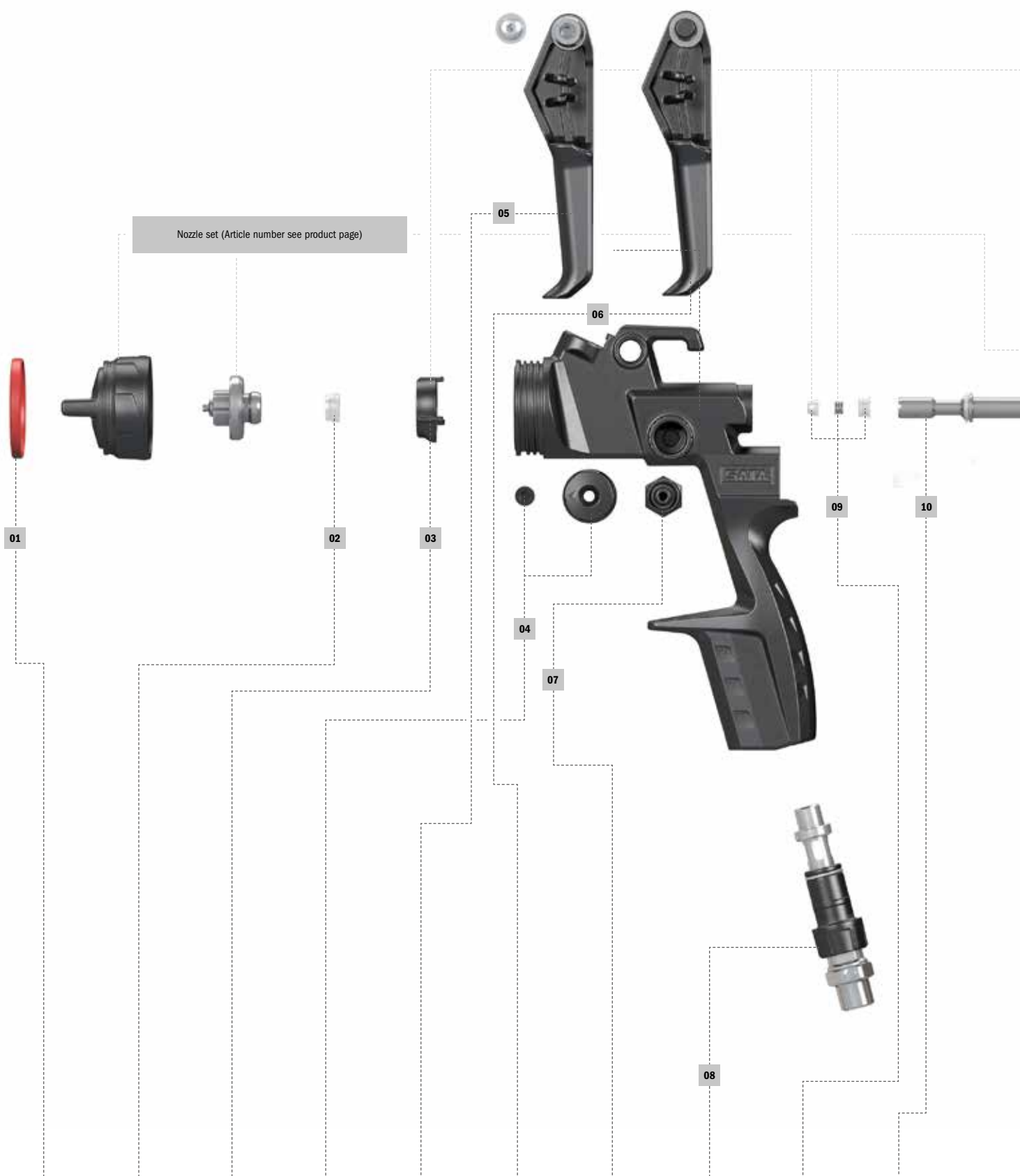
CUP SYSTEMS

BREATHING PROTECTION

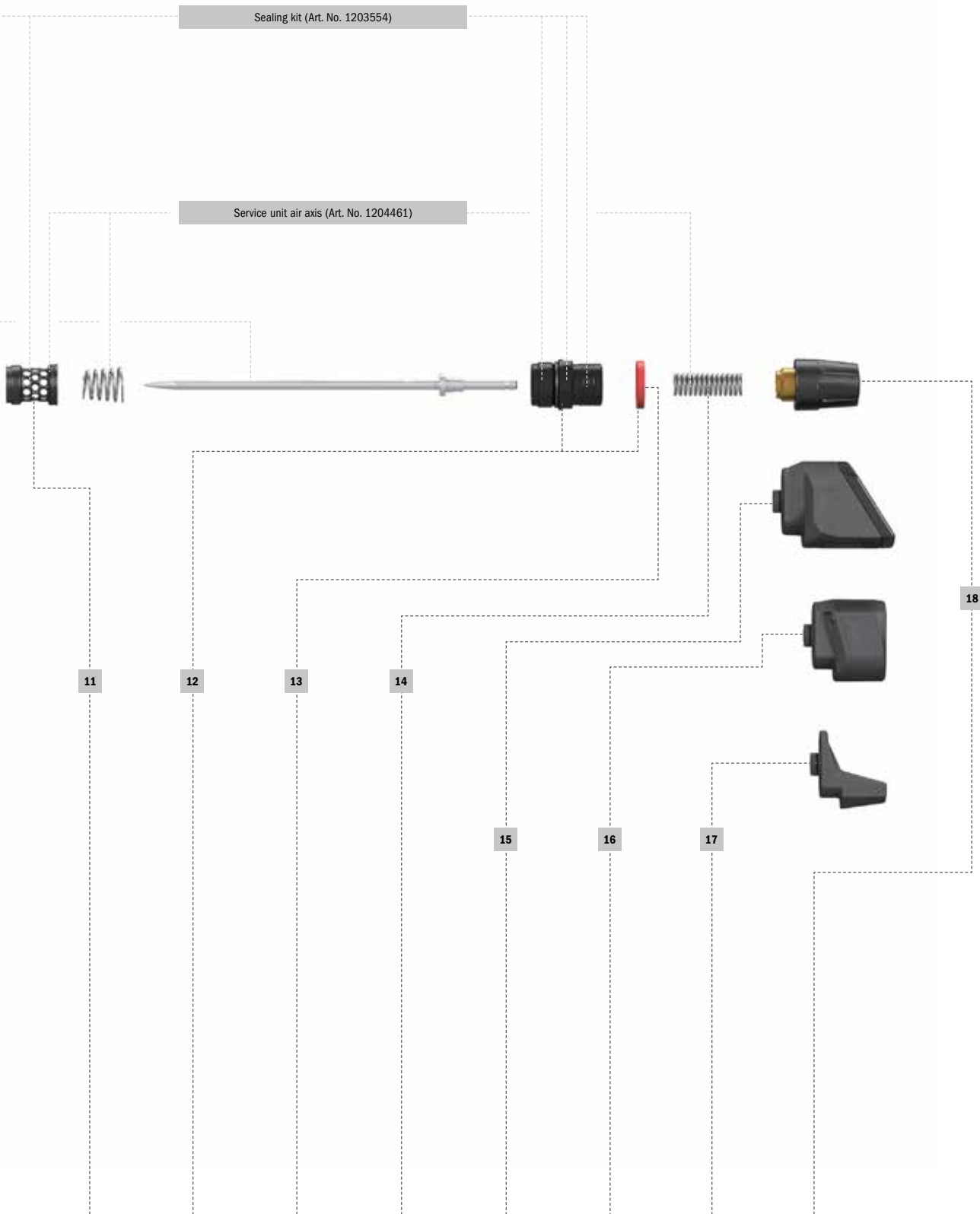
FILTER TECHNOLOGY

ADDITIONAL PRODUCTS

MERCHANDISING ITEMS



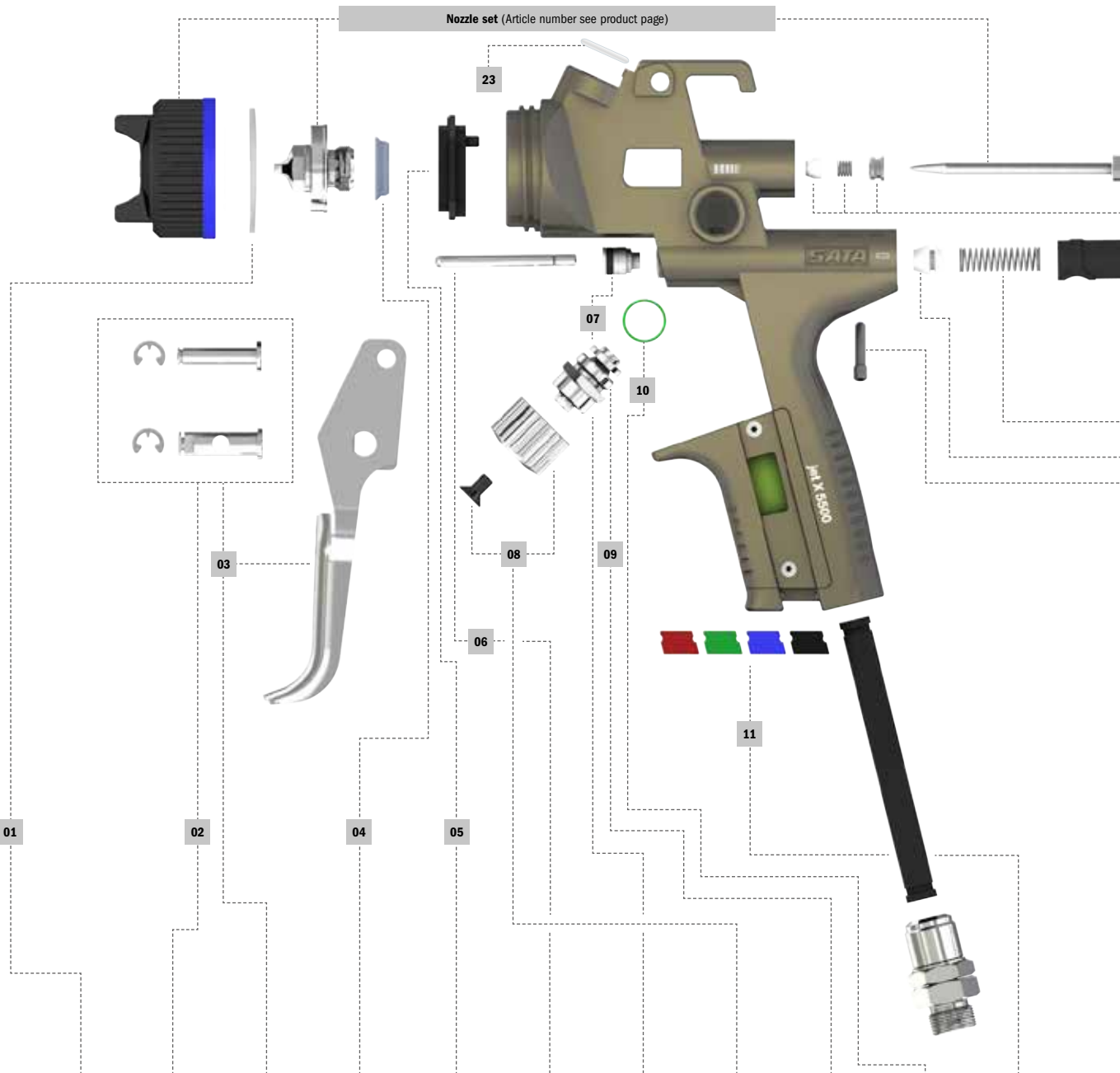
| 01 | 02 | 03 | 04 | 05 | 06 | 07 | 08 | 09 | 10 |
|-------------------------|-------------------------------|---------------------|-------------------------|-------------------------|--|--|----------------------------------|----------------------|-----------------|
| Colour marking ring set | Sealing element for fluid tip | Air separation ring | Control knob with screw | Trigger kit jet X BASIC | Trigger kit jet X DIGITAL, DIGITAL pro und DIGITAL ready | Spindle for round / flat spray control | Air micrometer with swivel joint | Paint needle packing | Air piston head |
| 1206780 | 140582 | 1197426 | 1202712 | 1197418 | 1197400 | 1201665 | 1201508 | 1197434 | 1197492 |



| 11 | 12 | 13 | 14 | 15 | 16 | 17 | 18 |
|---------|---------------|-----------|--------------------|--|--|------------------------------|-----------------------|
| Cage | Closing screw | CCS-Rings | Compression spring | adam X pro (for jet X, except BASIC) | adam X (for jet X, except BASIC) | QAC - Cover with handrest | Material flow control |
| 1197442 | 1197484 | 1188334 | 1197450 | 1202001 | 1201996 | 1206722 | 1197468 |

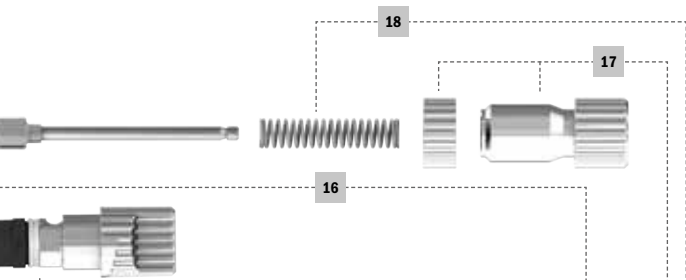
SPRAY GUNS
CUP SYSTEMS
BREATHING PROTECTION
FILTER TECHNOLOGY
ADDITIONAL PRODUCTS
MERCHANDISING ITEMS

Spare parts for SATA spray guns with gravity flow cup

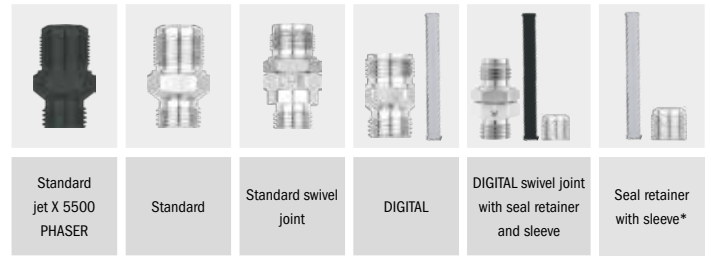


| 01 | 02 | 03 | 04 | 05 | 06 | 07 | 08 | 09 | 10 | 11 |
|-----------|--------------------|-------------|------------------------|-----------------------|----------------|---------------|--------------|-------------------|--------------|-----------|
| Seal ring | Trigger sleeve kit | Trigger kit | Seal element fluid tip | Air distribution ring | Air piston rod | Seal retainer | Control knob | Spindle with seal | Spindle seal | CCS clips |

| Gun type | 01 | 02 | 03 | 04 | 05 | 06 | 07 | 08 | 09 | 10 | 11 |
|----------------------|--------|--------|---------|--------|--------|--------|--------|---------|--------|--------|--------|
| X 5500 | 211508 | 211458 | 211433 | 140582 | - | 86843 | 133942 | 1057357 | 213025 | 133934 | 211409 |
| X 5500 PHASER | | - | 1092973 | | | | | 1092999 | | | |
| 5000 B | | 211458 | 211433 | | | | | 211482 | | | |
| 4000 B | 166009 | 165977 | 165951 | 166033 | 165944 | 165928 | | | | | |
| 100 B | 130393 | 133926 | 130492 | 143230 | 91959 | 140574 | 89771 | 6395 | | | |
| 1000 B | 200907 | 199463 | 198473 | 199455 | 197467 | 198408 | 199414 | 200162 | 198549 | 199471 | 197418 |

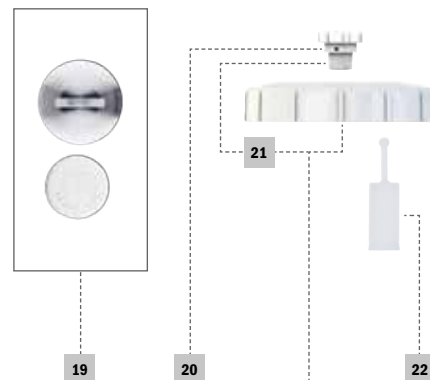
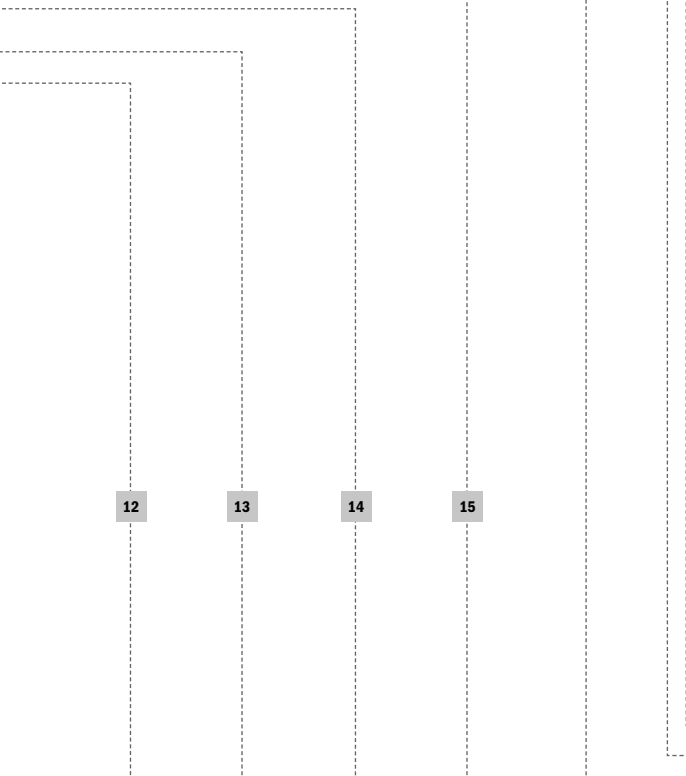


Air connection piece



| | Standard jet X 5500 PHASER | Standard | Standard swivel joint | DIGITAL | DIGITAL swivel joint with seal retainer and sleeve | Seal retainer with sleeve* |
|-----------------------|----------------------------|----------|-----------------------|---------|--|----------------------------|
| X 5500 | - | 134098 | 19745 | 211490 | 211516 | 211441 |
| X 5500 PHASER | 1092981 | - | | - | - | - |
| 5000 B | | | | 211490 | 211516 | 211441 |
| 4000 B | | | | 166116 | 203422 | 165985 |
| 100 B | - | | | | | |
| 1000 B | | 134098 | 16162 | - | - | - |
| minijet 4400 B | | | | | | |

* only for DIGITAL with swivel joint



| 12 | 13 | 14 | 15 | 16 | 17 | 18 | 19 | 20 | 21 | 22 | 23 |
|---------------|-----------------|----------------------------|--|----------------------|-----------------------|------------------------------|-------------|------------------|--------------|----------------|------------------|
| Locking screw | Air piston head | Pressure spring air piston | Air micrometer (air flow control knob) | Paint needle packing | Material flow control | Pressure spring paint needle | Battery kit | Anti-drip device | Screw-on lid | Strainer 300µm | plastic insert** |

| | | | | | | | | | | | |
|--------|--------|---------|---------|--------|--------|---------|--------------|--------|--------|--------------|-------|
| 211391 | 133991 | 133959* | 211466 | 15438 | 211474 | 133959* | 1057414 | 1826 | 49395 | 3988 (10x) | 96875 |
| | | | 1093012 | | 211474 | | - | | | | |
| | | | 211466 | | 166025 | | 213769 | | | | |
| 133967 | | | 166017 | | 139188 | | 165993 | | | 76018 (100x) | |
| | | | 139964 | | - | | 76026 (500x) | | | | |
| 199430 | 199448 | 201467* | 198523 | 199414 | 199406 | 201467* | | 197558 | 199075 | | |

* contained in the set ** for spray guns with QCC cup connection

Nozzle sets and spare parts of discontinued gun models

SATAjet X 5500 FUTURE

| | |
|---------|---|
| 1158965 | Nozzle set SATAjet X 5500 RP FUTURE 1.1 I |
| 1158973 | Nozzle set SATAjet X 5500 RP FUTURE 1.1 O |
| 1158981 | Nozzle set SATAjet X 5500 RP FUTURE 1.2 I |
| 1158999 | Nozzle set SATAjet X 5500 RP FUTURE 1.2 O |
| 1159004 | Nozzle set SATAjet X 5500 RP FUTURE 1.3 I |
| 1159012 | Nozzle set SATAjet X 5500 RP FUTURE 1.3 O |
| 1158923 | Nozzle set SATAjet X 5500 HVLP FUTURE 1.3 I |
| 1158931 | Nozzle set SATAjet X 5500 HVLP FUTURE 1.3 O |
| 1158949 | Nozzle set SATAjet X 5500 HVLP FUTURE 1.4 I |
| 1158957 | Nozzle set SATAjet X 5500 HVLP FUTURE 1.4 O |

SATAjet 5000 B PHASER | Discontinuation end of 2025

| | |
|---------|--|
| 1006841 | Nozzle set SATAjet 5000 B RP PHASER 1.2 |
| 1006859 | Nozzle set SATAjet 5000 B RP PHASER 1.2 W |
| 1006867 | Nozzle set SATAjet 5000 B RP PHASER 1.3 |
| 1006916 | Nozzle set SATAjet 5000 B RP PHASER 1.3 cc |
| 1006875 | Nozzle set SATAjet 5000 B HVLP PHASER WSB |
| 1006883 | Nozzle set SATAjet 5000 B HVLP PHASER 1.3 |
| 1006891 | Nozzle set SATAjet 5000 B HVLP PHASER 1.4 |
| 1006908 | Nozzle set SATAjet 5000 B HVLP PHASER 1.5 |

SATAjet 5000 B

| | |
|---------|-------------------------------------|
| 210245 | Nozzle set SATAjet 5000 B RP 1.0 |
| 210252 | Nozzle set SATAjet 5000 B RP 1.1 |
| 210260 | Nozzle set SATAjet 5000 B RP 1.2 |
| 210278 | Nozzle set SATAjet 5000 B RP 1.2 W |
| 210286 | Nozzle set SATAjet 5000 B RP 1.3 |
| 1002104 | Nozzle set SATAjet 5000 B RP 1.3 cc |
| 210294 | Nozzle set SATAjet 5000 B RP 1.4 |
| 210302 | Nozzle set SATAjet 5000 B RP 1.6 |
| 210310 | Nozzle set SATAjet 5000 B RP 1.8 |
| 210328 | Nozzle set SATAjet 5000 B RP 2.0 |
| 210336 | Nozzle set SATAjet 5000 B RP 2.5 |
| 210955 | Nozzle set SATAjet 5000 B HVLP 1.0 |
| 210963 | Nozzle set SATAjet 5000 B HVLP 1.2 |
| 210971 | Nozzle set SATAjet 5000 B HVLP WSB |
| 210989 | Nozzle set SATAjet 5000 B HVLP 1.3 |
| 211011 | Nozzle set SATAjet 5000 B HVLP 1.4 |
| 211045 | Nozzle set SATAjet 5000 B HVLP 1.5 |
| 211052 | Nozzle set SATAjet 5000 B HVLP 1.7 |
| 211060 | Nozzle set SATAjet 5000 B HVLP 1.9 |
| 211078 | Nozzle set SATAjet 5000 B HVLP 2.2 |

SATAjet 4000 B | Discontinuation end of 2025

| | |
|--------|------------------------------------|
| 166991 | Nozzle set SATAjet 4000 B RP 1.0 |
| 167007 | Nozzle set SATAjet 4000 B RP 1.1 |
| 167015 | Nozzle set SATAjet 4000 B RP 1.2 |
| 167023 | Nozzle set SATAjet 4000 B RP 1.2 W |
| 167049 | Nozzle set SATAjet 4000 B RP 1.3 |
| 167056 | Nozzle set SATAjet 4000 B RP 1.4 |
| 167072 | Nozzle set SATAjet 4000 B RP 1.6 |
| 167080 | Nozzle set SATAjet 4000 B RP 1.8 |
| 168625 | Nozzle set SATAjet 4000 B RP 2.0 |
| 168633 | Nozzle set SATAjet 4000 B RP 2.5 |
| 166926 | Nozzle set SATAjet 4000 B HVLP 1.0 |
| 166934 | Nozzle set SATAjet 4000 B HVLP 1.2 |
| 166983 | Nozzle set SATAjet 4000 B HVLP WSB |
| 166942 | Nozzle set SATAjet 4000 B HVLP 1.3 |
| 166967 | Nozzle set SATAjet 4000 B HVLP 1.4 |
| 166975 | Nozzle set SATAjet 4000 B HVLP 1.5 |
| 168658 | Nozzle set SATAjet 4000 B HVLP 1.7 |
| 168666 | Nozzle set SATAjet 4000 B HVLP 1.9 |
| 168674 | Nozzle set SATAjet 4000 B HVLP 2.2 |

SATAminijet 3000 B HVLP

| | |
|--------|---|
| 125583 | Nozzle set SATAminijet 3000 B HVLP 0.3 |
| 125591 | Nozzle set SATAminijet 3000 B HVLP 0.5 |
| 125609 | Nozzle set SATAminijet 3000 B HVLP 0.8 |
| 125617 | Nozzle set SATAminijet 3000 B HVLP 1.0 |
| 125625 | Nozzle set SATAminijet 3000 B HVLP 1.1 |
| 125682 | Nozzle set SATAminijet 3000 B HVLP 0.8 SR |
| 125690 | Nozzle set SATAminijet 3000 B HVLP 1.0 SR |
| 125708 | Nozzle set SATAminijet 3000 B HVLP 1.2 SR |
| 125716 | Nozzle set SATAminijet 3000 B HVLP 1.4 SR |

SATAjet B

| | |
|------|---------------------------|
| 4143 | Nozzle set SATAjet B 1.0E |
| 4127 | Nozzle set SATAjet B MSB |
| 3848 | Nozzle set SATAjet B 1.4E |
| 4119 | Nozzle set SATAjet B 1.5E |
| 4101 | Nozzle set SATAjet B 1.7E |

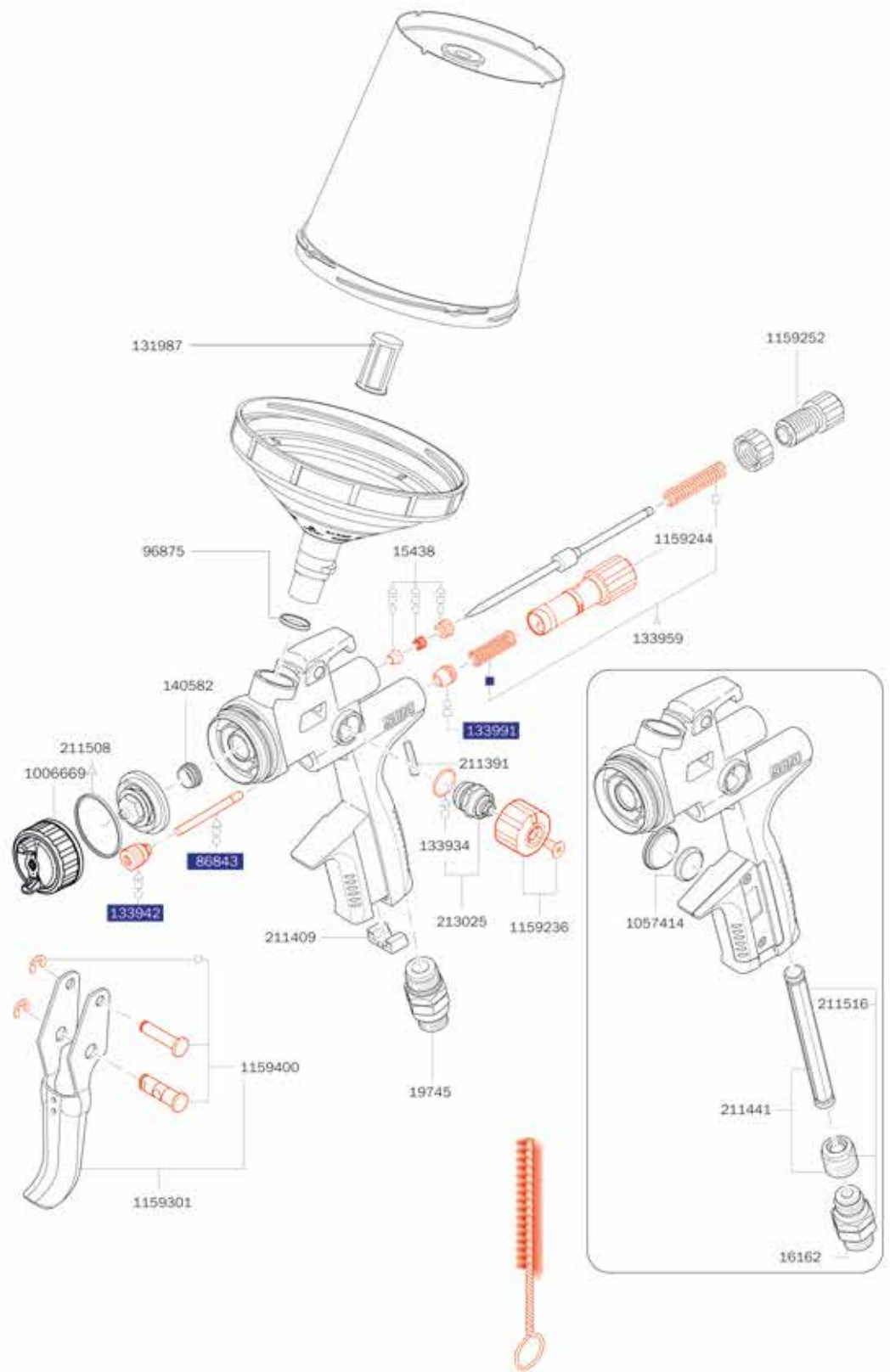
SATAjet GR

| | |
|-------|-----------------------------|
| 31252 | Nozzle set SATAjet GR 1.3W |
| 31898 | Nozzle set SATAjet GR 1.5W |
| 31997 | Nozzle set SATAjet GR 1.7W |
| 4093 | Nozzle set SATAjet GR 2.0 W |
| 13003 | Nozzle set SATAjet GR 2.5W |
| 13011 | Nozzle set SATAjet GR 3.0W |



Spare parts for discontinued spray gun models
SATAjet X 5500
FUTURE

| | |
|---------|--|
| 1006669 | Kit consisting of coloured marking rings (blue, green, black, packing unit each 1 piece) |
| 1057414 | Battery kit |
| 1097379 | Universal spanner (pack of 3 pieces) |
| 1159236 | Control knob with screw (2 pieces each) |
| 1159244 | Air micrometer |
| 1159252 | Material flow control with counter nut |
| 1159301 | Trigger kit |
| 1159400 | Trigger sleeve kit, black |
| 131987 | Spare plug-in sieve 200 µm, pastel green (packing unit 100 pieces) |
| 133934 | Sealing (packing unit 3 pieces) for spindle |
| 133942 | Seal retainer, cpl. |
| 133959 | Pressure spring (3 pieces) for paint needle and air piston |
| 133991 | Air piston head (packing unit 3 pieces) |
| 140582 | Sealing element (packing unit 5 pieces) for fluid tip |
| 15438 | Paint needle packing |
| 16162 | Swivel joint |
| 19745 | Swivel joint |
| 211391 | Locking screw (packing unit 3 pieces) for air micrometer |
| 211409 | CCS-Clips, green, blue, red, black (packing unit 4 pieces) |
| 211441 | Seal retainer with sleeve |
| 211508 | Sealing ring (packing unit 5 pieces) |
| 211516 | Swivel joint with seal retainer and sleeve |
| 213025 | Spindle, cpl., for round / flat spray control |
| 86843 | Air piston rod |
| 96875 | PVC insert for paint spray guns with QCC cup connection |



Tool kit

1057323
 Universal spanner, combi tool, cleaning brush, CCS clips, paint strainer



Repair kit

- 1159210
Repair kit
- 82552
Air piston service unit
- 136960
Sealing kit
- △ 1173286
Maintenance Set

All prices are recommended list prices. Errors, technical modifications and printing errors reserved.

SPRAY GUNS

CUP SYSTEMS

BREATHING PROTECTION

FILTER TECHNOLOGY

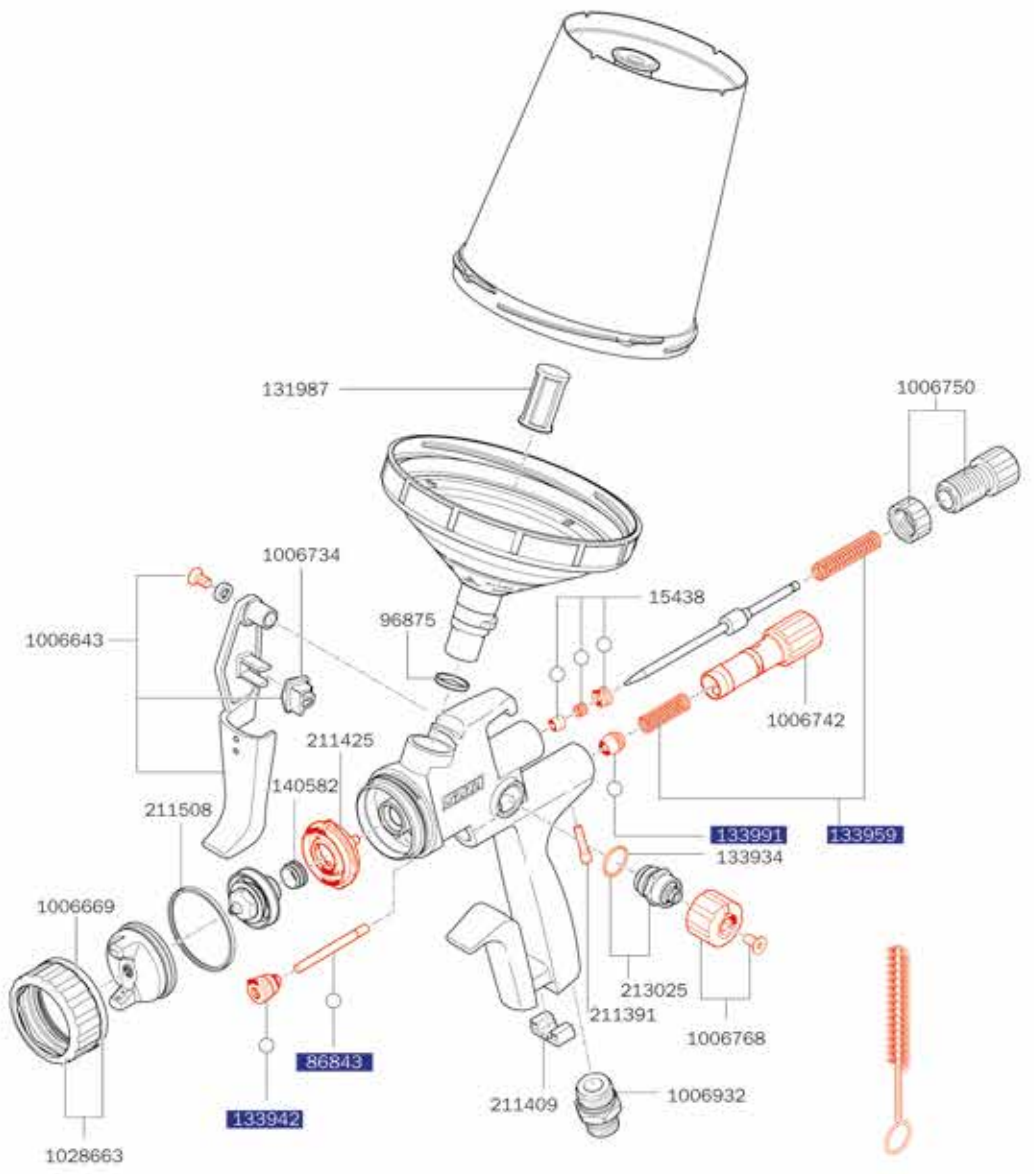
ADDITIONAL PRODUCTS

MERCHANDISING ITEMS

SPRAY GUNS
CUP SYSTEMS
BREATHING PROTECTION
FILTER TECHNOLOGY
ADDITIONAL PRODUCTS
MERCHANDISING ITEMS

Spare parts for discontinued spray gun models
SATAjet 5000 B
PHASER

| |
|--|
| 1006643 |
| Trigger kit |
| 1006669 |
| Kit consisting of coloured marking rings (blue, green, black, packing unit each 1 piece) |
| 1006734 |
| Trigger fixing clip |
| 1006742 |
| Air micrometer |
| 1006750 |
| Material flow control with counter nut |
| 1006768 |
| Control knob with screw (packing unit 2 pieces) |
| 1006932 |
| Air connection piece 1/4" male thread |
| 1028663 |
| Air cap ring, cpl. with color marking ring |
| 1097379 |
| Universal spanner (pack of 3 pieces) |
| 131979 |
| Spare flat sieve 125µm, pastel blue (packing unit 100 pieces) |
| 131987 |
| Spare plug-in sieve 200 µm, pastel green (packing unit 100 pieces) |
| 133934 |
| Sealing (packing unit 3 pieces) for spindle |
| 133942 |
| Seal retainer, cpl. |
| 133959 |
| Pressure spring (3 pieces) for paint needle and air piston |
| 133991 |
| Air piston head (packing unit 3 pieces) |
| 140582 |
| Sealing element (packing unit 5 pieces) for fluid tip |
| 15438 |
| Paint needle packing |
| 211391 |
| Locking screw (packing unit 3 pieces) for air micrometer |
| 211409 |
| CCS-Clips, green, blue, red, black (packing unit 4 pieces) |
| 211425 |
| Air distribution ring (packing unit 3 pieces) |
| 211508 |
| Sealing ring (packing unit 5 pieces) |
| 213025 |
| Spindle, cpl., for round / flat spray control |
| 86843 |
| Air piston rod |
| 96875 |
| PVC insert for paint spray guns with QCC cup connection |



Tool kit

211524
Universal spanner, combi tool, cleaning brush, CCS clips, paint strainer

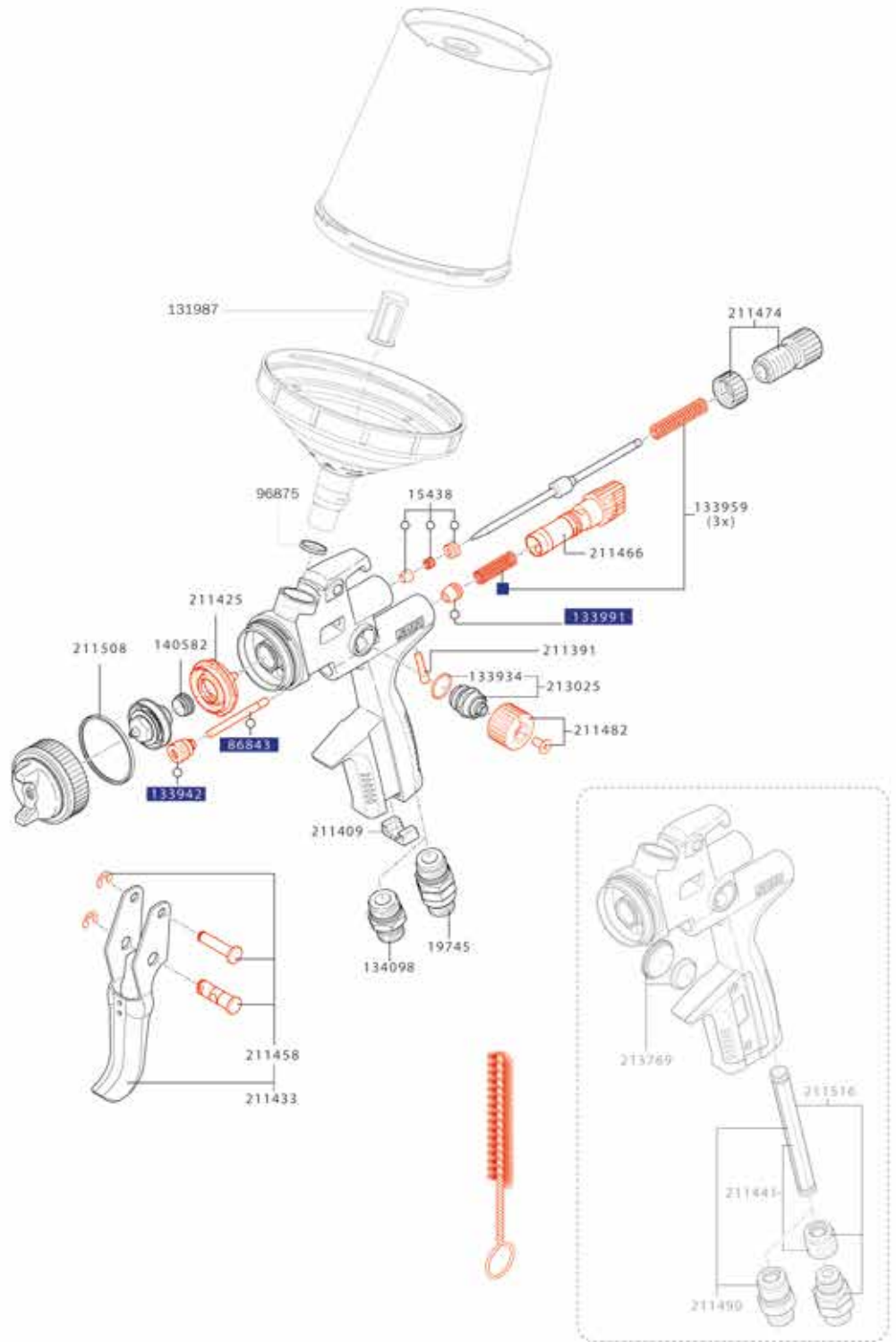


Repair kit

- 1006809
Repair kit
- 82552
Air piston service unit
- 136960
Sealing kit

Spare parts for discontinued spray gun models
SATAjet 5000 B

| |
|--|
| 1097379 |
| Universal spanner (pack of 3 pieces) |
| 131987 |
| Spare plug-in sieve 200 µm, pastel green (packing unit 100 pieces) |
| 133934 |
| Sealing (packing unit 3 pieces) for spindle |
| 133942 |
| Seal retainer, cpl. |
| 133959 |
| Pressure spring (3 pieces) for paint needle and air piston |
| 133991 |
| Air piston head (packing unit 3 pieces) |
| 134098 |
| Air connection piece 1/4" (male thread) |
| 140582 |
| Sealing element (packing unit 5 pieces) for fluid tip |
| 15438 |
| Paint needle packing |
| 16162 |
| Swivel joint |
| 19745 |
| Swivel joint |
| 211391 |
| Locking screw (packing unit 3 pieces) for air micrometer |
| 211409 |
| CCS-Clips, green, blue, red, black (packing unit 4 pieces) |
| 211425 |
| Air distribution ring (packing unit 3 pieces) |
| 211433 |
| Trigger kit |
| 211441 |
| Seal retainer with sleeve |
| 211458 |
| Trigger sleeve kit |
| 211466 |
| Air micrometer |
| 211474 |
| Material flow control with counter nut |
| 211482 |
| Control knob with screw (each 2 pieces) |
| 211490 |
| Air connection with sleeve |
| 211508 |
| Sealing ring (packing unit 5 pieces) |
| 211516 |
| Swivel joint with seal retainer and sleeve |
| 213025 |
| Spindle, cpl., for round / flat spray control |
| 213769 |
| Battery kit |
| 86843 |
| Air piston rod |
| 96875 |
| PVC insert for paint spray guns with QCC cup connection |



| Tool kit |
|--|
| 211524 Universal spanner, combi tool, cleaning brush, CCS clips, paint strainer |



| Repair kit |
|----------------------------------|
| 211532 Repair kit |
| 82552 Air piston service unit |
| 136960 Sealing kit |

All prices are recommended list prices. Errors, technical modifications and printing errors reserved.

SPRAY GUNS

CUP SYSTEMS

BREATHING PROTECTION

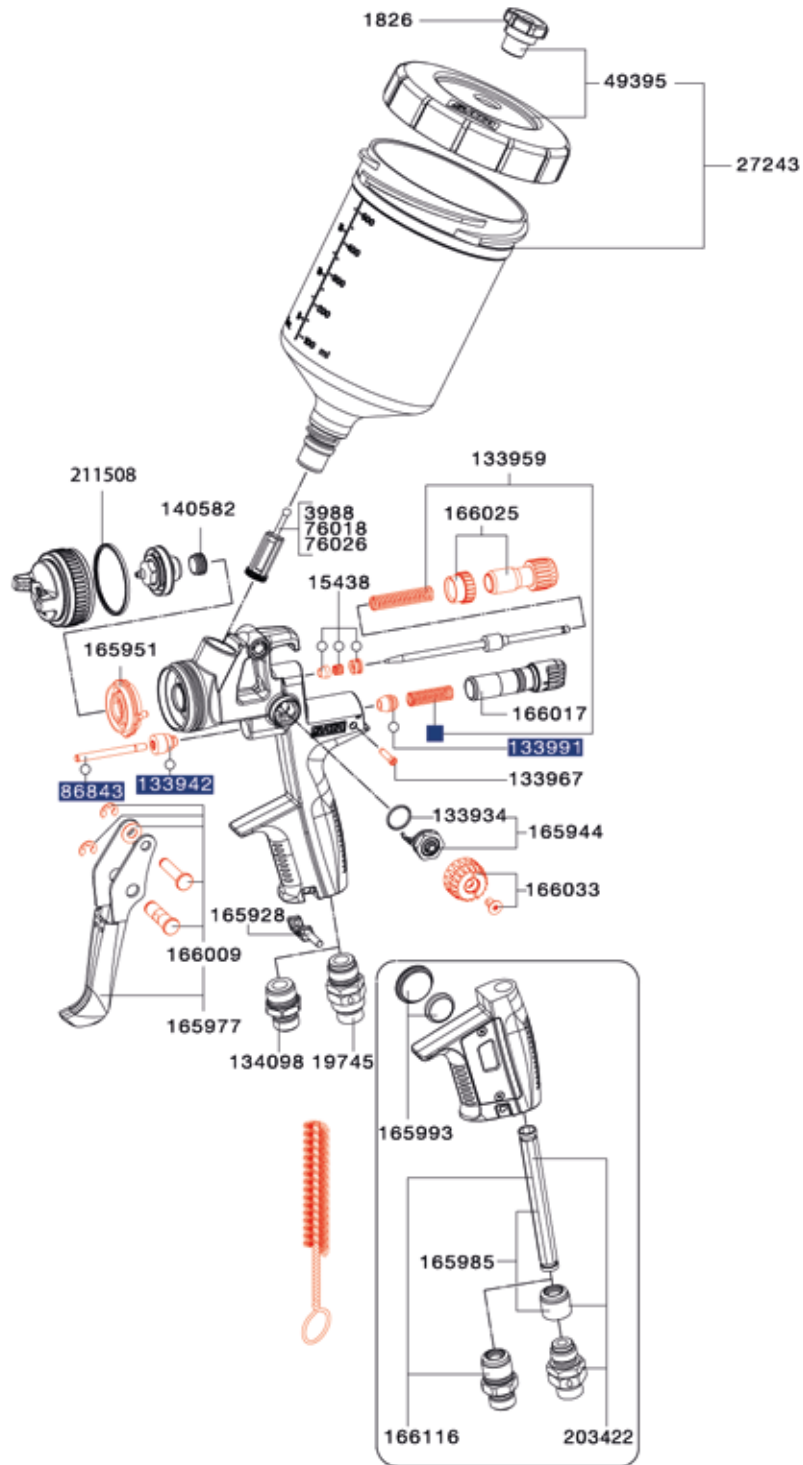
FILTER TECHNOLOGY

ADDITIONAL PRODUCTS

MERCHANDISING ITEMS

Spare parts for discontinued spray gun models
SATAjet 4000 B

| |
|---|
| 133934 |
| Sealing (packing unit 3 pieces) for spindle |
| 133942 |
| Seal retainer, cpl. |
| 133959 |
| Pressure spring (3 pieces) for paint needle and air piston |
| 133967 |
| Adjustment screw (packing unit 3 pieces) for air micrometer |
| 133991 |
| Air piston head (packing unit 3 pieces) |
| 134098 |
| Air connection piece 1/4" (male thread) |
| 140582 |
| Sealing element (packing unit 5 pieces) for fluid tip |
| 15438 |
| Paint needle packing |
| 165928 |
| CCS Clips, green, blue, red, black (packing unit 4 pieces) |
| 165944 |
| Spindle for round/flat spray control >Quarter Turn< |
| 165951 |
| Air distribution ring (packing unit 3 pieces) |
| 165977 |
| Trigger kit |
| 165985 |
| Seal retainer with sleeve |
| 165993 |
| Battery kit |
| 166009 |
| Trigger sleeve kit |
| 166017 |
| Air micrometer |
| 166025 |
| Material flow control with counter nut |
| 166033 |
| Control knob with screw (each 2 pieces) |
| 166116 |
| Air connection with sleeve |
| 1826 |
| Anti-drip device (packing unit 4 pieces) |
| 19745 |
| Swivel joint |
| 203422 |
| Seal retainer with sleeve and swivel joint |
| 211508 |
| Sealing ring (packing unit 5 pieces) |
| 27243 |
| Reusable plastic cup, 0.6 l with QCC without fine thread for SATAjet 5000 series, jet 4000 B, jet 3000 B, jet 2000, jet 1000 B, jet 100 B, jet RP, minijet 4400 B |
| 3988 |
| Paint strainer, 300 µm (packing unit 10 pieces) |
| 49395 |
| Screw-on lid for 0.6 l PVC cup with drip-catching ring and non-drip device |
| 76018 |
| Paint strainer, 300 µm (packing unit 100 pieces) |
| 76026 |
| Paint strainer, 300 µm (packing unit 500 pieces) |
| 86843 |
| Air piston rod |



Tool kit

165936
 Universal spanner, combi tool, cleaning brush, extraction tool, CCS clips, paint strainer



Repair kit

- 166058
Repair kit
- 82552
Air piston service unit
- o 136960
Sealing kit

All prices are recommended list prices. Errors, technical modifications and printing errors reserved.

SPRAY GUNS

CUP SYSTEMS

BREATHING PROTECTION

FILTER TECHNOLOGY

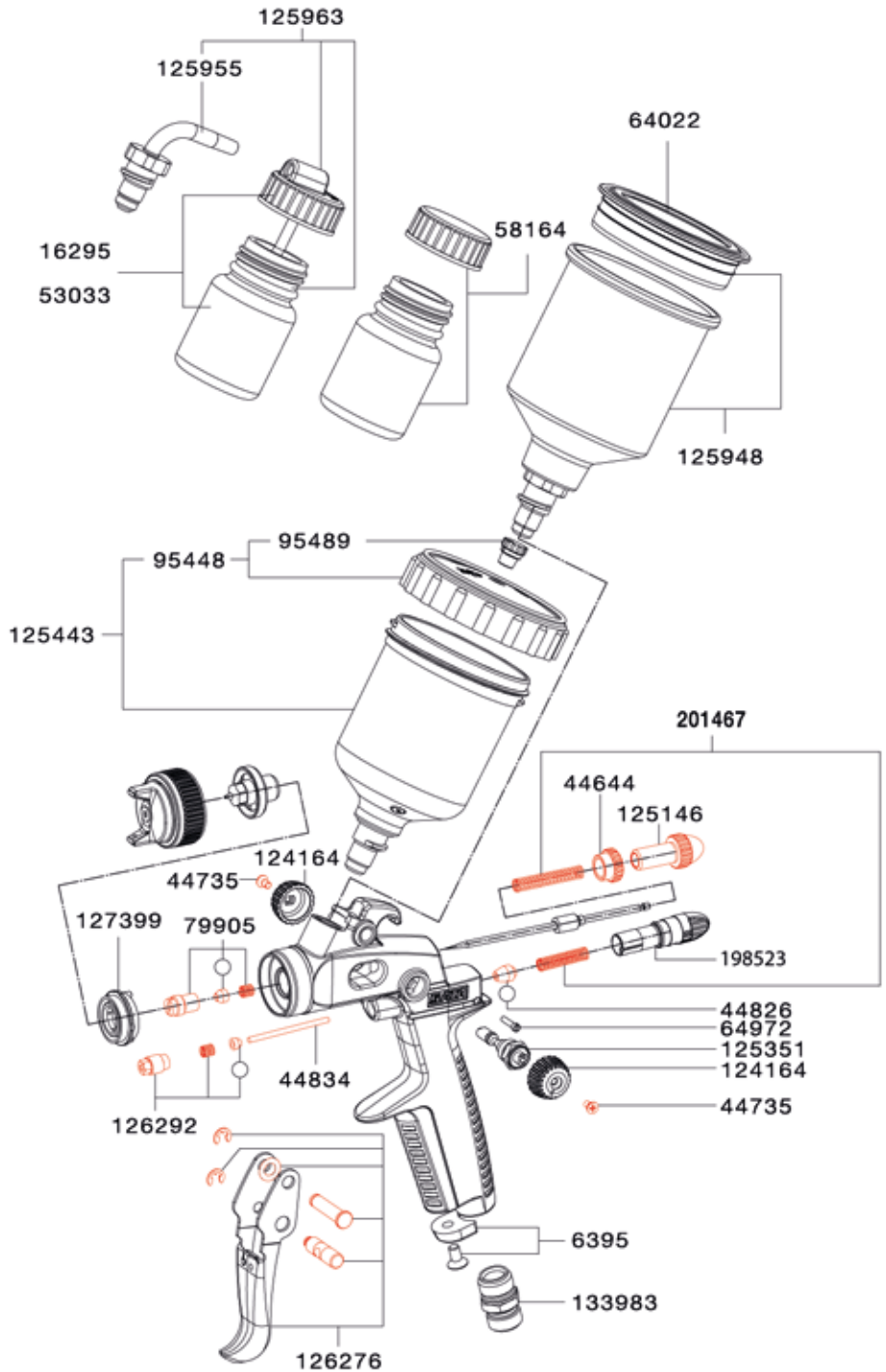
ADDITIONAL PRODUCTS

MERCHANDISING ITEMS

SPRAY GUNS
CUP SYSTEMS
BREATHING PROTECTION
FILTER TECHNOLOGY
ADDITIONAL PRODUCTS
MERCHANDISING ITEMS

Spare parts for discontinued spray gun models
SATAmijet
3000 B HVL

| |
|--|
| 124164 |
| Control knob |
| 125146 |
| Material flow control screw |
| 125351 |
| Spindle SATAmijet 3000 B HVL, minijet 4 HVL |
| 125443 |
| Reusable plastic cup, 0.125 l with QCC and fine thread for SATAmijet spray guns (except minijet 4400 B) and SATAJet 20 B |
| 125948 |
| 0.15 l QCC reusable aluminium cup, cpl. for SATAmijet (except minijet 4400) and jet 20 B |
| 125955 |
| Plug-in cup connection with QCC SATAJet 20 B, dekor 2000, minijet 3000 B HVL, minijet 4 HVL |
| 125963 |
| 25 ml glass cup with plug-in lid (packing unit 5 pieces) and QCC plug-in connection (packing unit 1 piece) |
| 126276 |
| Trigger kit |
| 126292 |
| Packing kit air piston rod SATAmijet 3000 B HVL, minijet 4 HVL |
| 127399 |
| Air distribution ring (packing unit 3 pieces) |
| 133983 |
| Air connection piece 1/4" male thread |
| 16295 |
| 25 ml glass cup with plug-in cup |
| 198523 |
| Air micrometer, complete |
| 201467 |
| Pressure spring (each 3 pieces) for paint needle and air piston |
| 44644 |
| Counter nut |
| 44735 |
| Countersunk screw M 2.5 x 5, VA |
| 44826 |
| Air piston head |
| 44834 |
| Air piston rod |
| 53033 |
| 25 ml glass cup with plug-in cup (packing unit 5 pieces) |
| 58164 |
| 25 ml glass cup with blind lid (packing unit 5 pieces) |
| 6395 |
| CCS Clips, green, blue, red, black (packing unit 4 pieces) |
| 64022 |
| Plastic lid (3 pieces) |
| 64972 |
| Adjustment screw for air micrometer |
| 79905 |
| Paint needle packing |
| 95448 |
| Screw-on lid 125 ccm PVC cup with anti-drip device |
| 95489 |
| Anti-drip device (4 pieces) |



Tool kit

125856
Universal spanner, Cleaning brush, Extraction tool,
Wrench



Repair kit

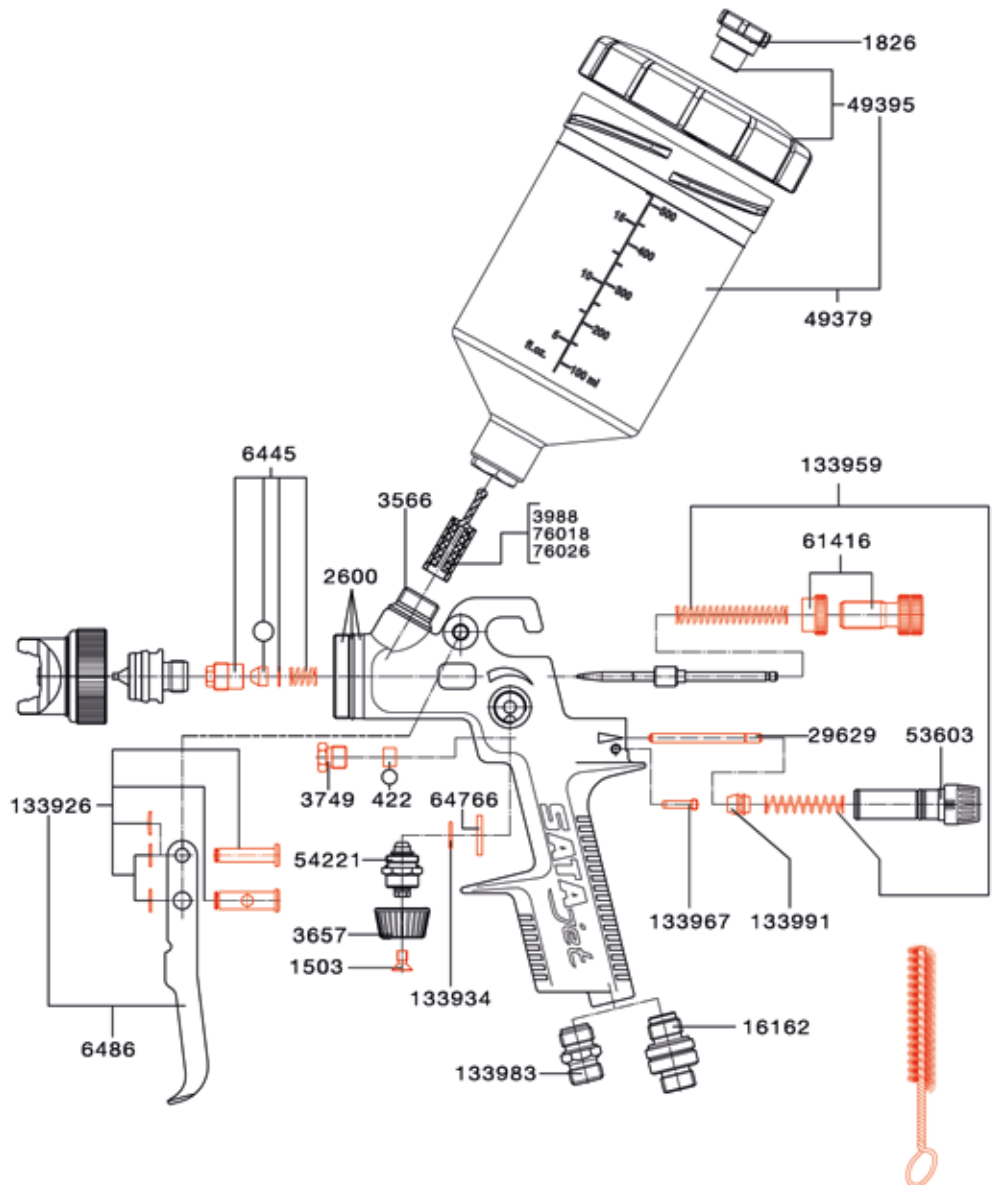
126284
Repair kit

50658
Sealing kit

Spare parts for discontinued spray gun models

SATAjet B /
SATAjet GR

| |
|--|
| 133926 |
| Trigger sleeve kit |
| 133934 |
| Sealing (packing unit 3 pieces) for spindle |
| 133959 |
| Pressure spring (3 pieces) for paint needle and air piston |
| 133967 |
| Adjustment screw (packing unit 3 pieces) for air micrometer |
| 133983 |
| Air connection piece 1/4" male thread |
| 133991 |
| Air piston head (packing unit 3 pieces) |
| 1503 |
| Countersunk screw M4 x 8 DIN 965, stainless steel, for micrometer und round/flat spray control |
| 16162 |
| Swivel joint |
| 1826 |
| Anti-drip device (packing unit 4 pieces) |
| 2600 |
| Service unit for nozzle insert for SATAjet/B, H, K and NR 92, consisting of nozzle insert, distribution plate and sealing ring |
| 29629 |
| Air piston rod |
| 3566 |
| Inlet nipple |
| 3657 |
| Control knob |
| 3749 |
| Stuffing box for air piston SATAjet, KL, HKD and MC-B |
| 3988 |
| Paint strainer, 300 µm (packing unit 10 pieces) |
| 422 |
| Gasket for air piston |
| 49379 |
| 0.6 l reusable plastic cup, with fine thread cpl. for SATAjet B, jet GR, jet NR 95, jet 3000 LAB, jet 4000 LAB, jet 5000 LAB |
| 49395 |
| Screw-on lid for 0.6 l PVC cup with drip-catching ring and non-drip device |
| 53603 |
| Air micrometer |
| 54221 |
| Spindle complete, for SATAjet/90, SATAjet, regulation valve and MC-B |
| 61416 |
| Material flow control with counter nut |
| 6445 |
| Paint needle packing |
| 64766 |
| Washer |
| 6486 |
| Trigger kit |
| 76018 |
| Paint strainer, 300 µm (packing unit 100 pieces) |
| 76026 |
| Paint strainer, 300 µm (packing unit 500 pieces) |



Tool kit

9654
Universal spanner, Cleaning brush, Allen wrench 4 mm width, Allen wrench 2 mm width, Paint strainer, Socket wrench 7 mm width



Repair kit

69666
Repair kit
9829
Sealing kit

All prices are recommended list prices. Errors, technical modifications and printing errors reserved.

SPRAY GUNS

CUP SYSTEMS






BREATHING PROTECTION

FILTER TECHNOLOGY

ADDITIONAL PRODUCTS

MERCHANDISING ITEMS



| Cup Systems | Product description | Product advantages |
|---|---|---|
|  <p>RPS - the Original 92</p> | <p>The SATA RPS (Rapid Preparation System) multi-purpose cup system fulfils four functions: mixing, painting, refilling, storing, etc. The handling of SATA RPS is so simple because it consists of only three parts: SATA RPS fits directly onto your SATA spray gun with QCC connector (Quick Cup Connector) without any disturbing adapters. Due to the short color channel and without unnecessary corners and edges, material deposits in the color channel are prevented.</p> | <ul style="list-style-type: none"> • Bendable – allows the painting of sill areas or wheel arches "overhead" • Stable – due to the screw connection between cup and lid, the cup always remains on the lid and gun even when touching obstacles. • Easy removal of the lid in case of emergency – without soiling the working area • Clean removal of the cup – by pressing the cup in, vacuum is created, which empties the material passage when pulling the trigger. • Constant material flow – helps the painter to achieve perfect coating results just like child's play • Very quick colour change – Cleaning becomes a minor matter • Available in 3 cup sizes: 0.3 l, 0.6 l and 0.9 l • Available as UV version: 0.6 l |
|  <p>LCS - the Liner 96</p> | <p>The first liner cup by SATA - optimised for SATA. Like RPS this cup fits all SATA guns without an adaptor. Adaptors for non SATA spray guns are available. There are many additional advantages: a more favourable centre of gravity, easier cleaning, lowerweight, less damage to the spray gun.</p> | <ul style="list-style-type: none"> • Suitable for all SATA spray guns with QCC connection, no adaptor required • Particle-free: the premium strainers • Lid with safety lock • Liner (inner cup) made of extra-soft and thin material for smooth, even paint flow • Highly transparent hard cup (outer cup) with complete and detailed scale system for easy mixing; upside-down scale shows the remaining quantity when painting • Available in 3 cup sizes: 0.40 litre, 0.65 litre and 0.85 litre |
|  <p>Gravity flow cup for spray guns 102</p> | <p>Reusable plastic or aluminium gravity flow cups for SATA spray guns</p> | <ul style="list-style-type: none"> • Proven SATA quality • Flexible in use |
|  <p>SATA agitator cup 106</p> | <p>The SATA agitator cup is the ideal cup for processing quick settling materials, such as effect paints. The reusable aluminium cup fits directly onto your SATA paint spray gun with QCC (Quick Cup Connector) connection – without the need of adapters. Due to the short paint channel and without unnecessary corners and edges, material deposits are also prevented.</p> | <ul style="list-style-type: none"> • Variable - Air control valve allows adjustment of inlet flow pressure and agitator speed • Clean – Drip stop in the lid supports clean working • Constant material flow – helps the painter to achieve perfect coating results |
|  <p>SATA BVD 108</p> | <p>The SATA BVD is ideal for low-overspray processing of highly viscous, sprayable materials.</p> | <ul style="list-style-type: none"> • No modification of the viscosity required • Individual material pressure adjustment • Female thread connection optional for older spray guns |

RPS - the Original



RPS 0,3 I

1202043

RPS 0.3 I - the Original - 125 µm flat sieve pack of 50 pieces



1214816

RPS 0.3 I - the Original - 125 µm flat sieve Megapack pack of 100 pieces



1202077

RPS 0.3 I - the Original - 200 µm plug-in sieve pack of 50 pieces



1214824

RPS 0.3 I - the Original - 200 µm plug-in sieve Megapack pack of 100 pieces



RPS 0,6 I

1202100

RPS 0.6 I - the Original - 125 µm flat sieve pack of 50 pieces



1202134

RPS 0.6 I - the Original - 200 µm plug-in sieve pack of 50 pieces



All prices are recommended list prices. Errors, technical modifications and printing errors reserved.

SPRAY GUNS

CUP SYSTEMS

BREATHING PROTECTION

FILTER TECHNOLOGY

ADDITIONAL PRODUCTS

MERCHANDISING ITEMS

RPS 0,9 l

1202259

RPS 0.9 l - the Original - 125 µm flat sieve pack of 50 pieces



1202267

RPS 0.9 l - the Original - 200 µm plug-in sieve pack of 50 pieces

**RPS 0,6 l UV**

1202142

RPS UV 0.6 l - the Original - 125 µm flat sieve pack of 50 pieces



1202150

RPS UV 0.6 l - the Original - 200 µm plug-in sieve pack of 50 pieces

**Accessories for RPS**

144840

SATA RPS depot to store RPS boxes



127852

Spray bottle 1.0 l



127860

Pump-spray cleaning bottle, not suitable for thinner



165399

SATA RPS mix lid, flat lid (packing unit 50 pieces) allows stacking of RPS 0.6 l and 0.9 l cups

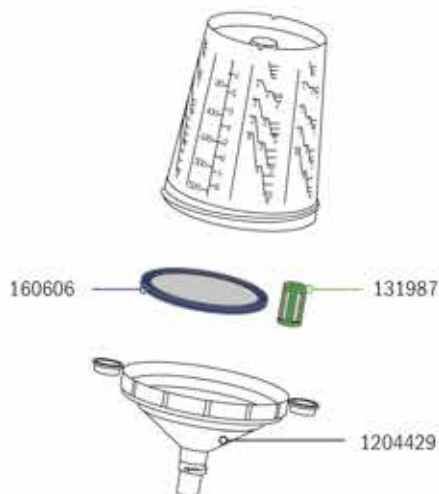


Spare parts

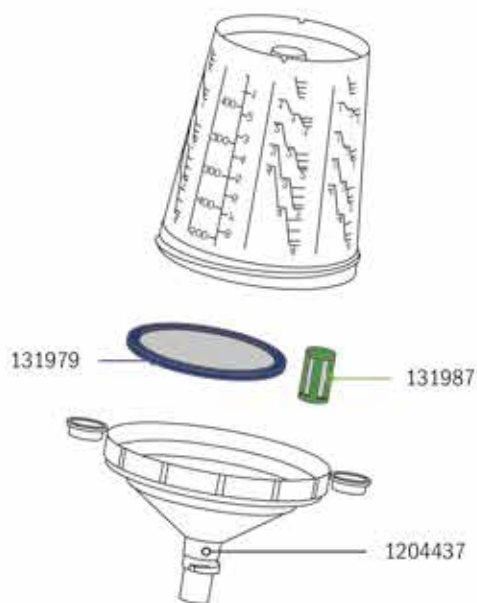
RPS - the Original

| |
|--|
| 1013218 |
| Spare lid for SATA RPS 0.3 l Standard (packing unit 60 pieces) |
| 1013226 |
| Spare lid for SATA RPS 0.6 l / 0.9 l (packing unit 80 pieces) |
| 1013234 |
| Spare lid for SATA RPS 0.3 l minijet (packing unit 108 pieces) |
| 1204429 |
| Spare lid RPS 0.3 l |
| 1204437 |
| Spare lid RPS 0.6 l / 0.9 l |
| 131979 |
| Spare flat sieve 125µm, pastel blue (packing unit 100 pieces) |
| 131987 |
| Spare plug-in sieve 200 µm, pastel green (packing unit 100 pieces) |
| 160606 |
| Spare flat sieve 125 µm, pastel blue (60 pieces) |

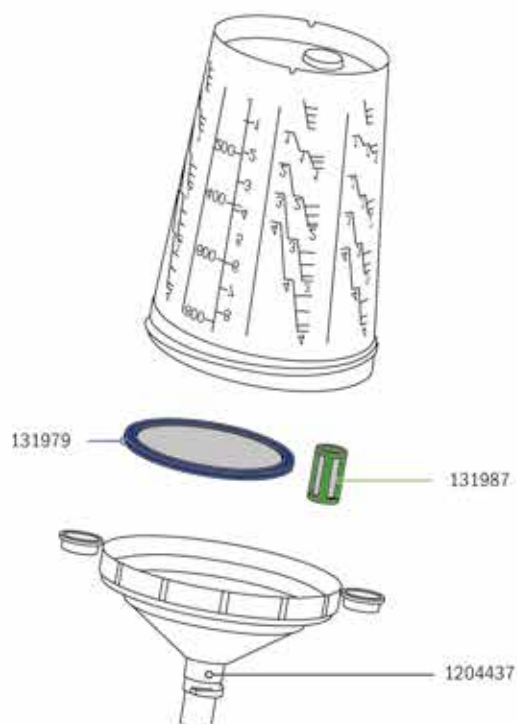
RPS 0,3 l



RPS 0,6 l



RPS 0,9 l





LCS - the Liner



SPRAY GUNS

CUP SYSTEMS

BREATHING PROTECTION

FILTER TECHNOLOGY

ADDITIONAL PRODUCTS

MERCHANDISING ITEMS

LCS 0,40 I

1195818
LCS 0.40 I - the Liner - 125 µm flat sieve pack of 50 pieces



1195826
LCS 0.40 I - the Liner - 200 µm flat sieve pack of 50 pieces



LCS 0,65 I

1195834
LCS 0.65 I - the Liner - 125 µm flat sieve pack of 50 pieces



1195850
LCS 0.65 I - the Liner - 200 µm flat sieve pack of 50 pieces



LCS 0,85 l

1195868

LCS 0.85 l - the Liner - 125 µm flat sieve pack of 50 pieces



1195876

LCS 0.85 l - the Liner - 200 µm flat sieve pack of 50 pieces



Accessories for LCS

127852

Spray bottle 1.0 l



127860

Pump-spray cleaning bottle, not suitable for thinner



Spare parts

LCS - the Liner

1196303

LCS spare lid including flat sieve, 0.40 l - the Liner - 125 µm flat sieve pack of 75 pieces

1196410

LCS spare lid including flat sieve, 0.40 l - the Liner - 200 µm flat sieve pack of 75 pieces

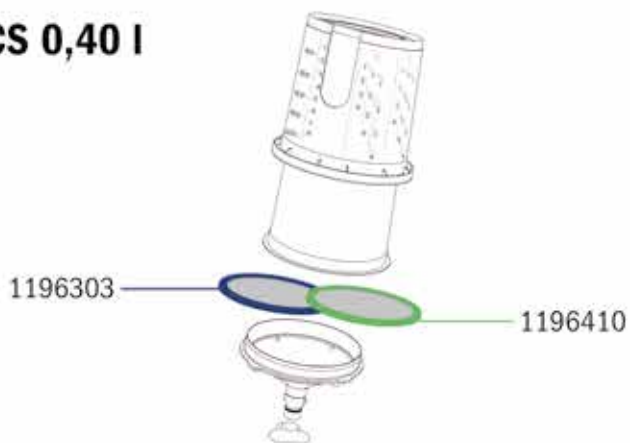
1196296

LCS spare lid including flat sieve, 0.65 l / 0.85 l - the Liner - 125 µm flat sieve pack of 75 pieces

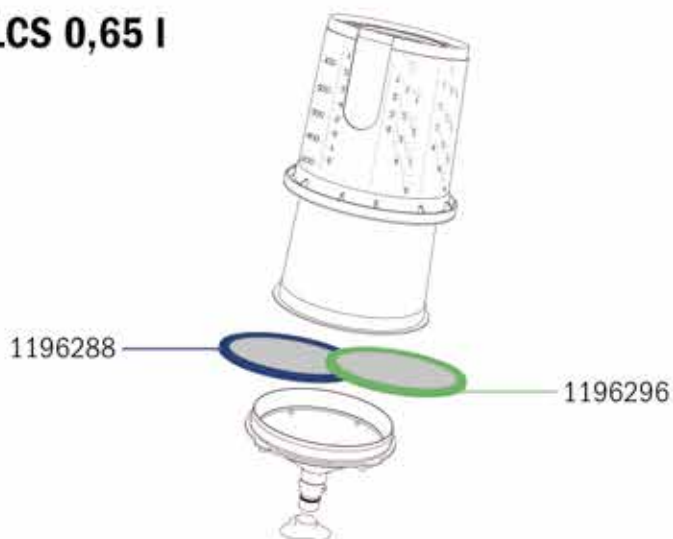
1196288

LCS spare lid including flat sieve, 0.65l/0.85 l - the Liner - 200 µm flat sieve pack of 75 pieces

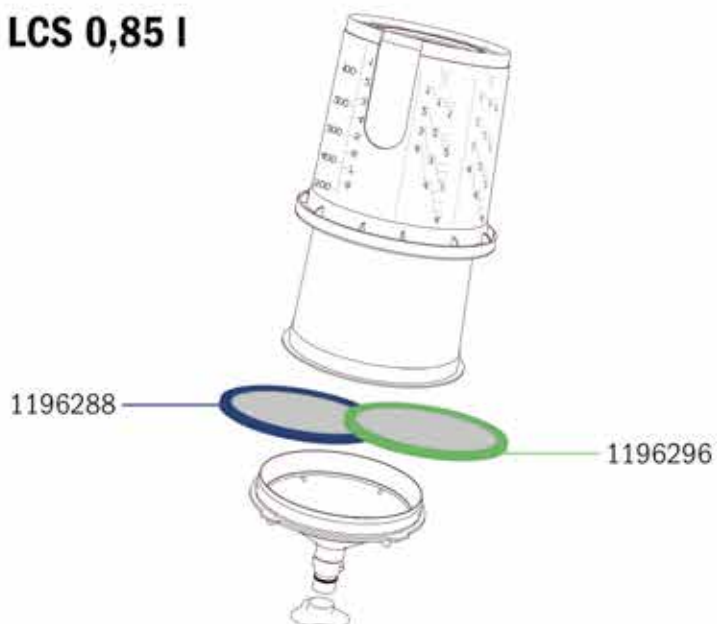
LCS 0,40 l



LCS 0,65 l



LCS 0,85 l



SPRAY GUNS

CUP SYSTEMS

BREATHING PROTECTION

FILTER TECHNOLOGY

ADDITIONAL PRODUCTS

MERCHANDISING ITEMS

SATA Loyalty Program

coins & more



We reward your customers with SATA coins

Purchasing SATA products is twice as rewarding: you can achieve perfect finishes and as a participant in the SATA Loyalty Program coins & more you can collect SATA coins and redeem them for valuable rewards.

Many SATA products are delivered with a QR code of the SATA Loyalty Program coins & more. You can scan the Loyalty QR codes with the SATA Loyalty App to collect SATA coins, which can then be redeemed for valuable rewards in the Loyalty Shop.

Benefit from the SATA customer loyalty program and its advantages:

- High-quality SATA product with bonus thanks to the SATA coins
- Many SATA products with Loyalty QR code to collect SATA coins
- Further options to collect coins in the SATA Loyalty App
- Wide range of rewards including SATA products
- Exclusive rewards and special prices during certain promotional periods



INFORMATION ON THE PROGRAM

www.sata.com/coins-and-more



PRODUCTS WITH LOYALTY QR CODE

www.sata.com/coins-and-more-products



ONLINE REGISTRATION

www.sata.com/coins-and-more-login



Do you still have questions?

If you have any further questions, please do not hesitate to contact the SATA Loyalty Team:
loyalty@sata.com

Thank you for your support!
Your SATA Loyalty Team

Accessories for RPS

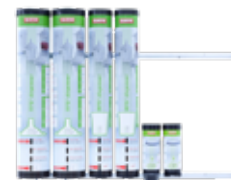
| Technical Data | SATA RPS wall dispenser | SATA RPS extension kit | SATA RPS rotawall adapter kit | SATA RPS rotafloor adapter kit |
|----------------|-------------------------|------------------------|-------------------------------|--------------------------------|
| Height | 100 cm | 100 cm | 136 cm | 210 cm |
| Depth | 18 cm | 18 cm | | |
| Width | 80 cm | 40 cm | | |
| Diameter | | | 65 cm | 65 cm |



Available versions

195784

SATA RPS wall dispenser, standard version: 2x cup tubes / 2x lid tubes / 2x sieve tubes and 2x aluminium slats



195776

SATA RPS extension kit, add-on kit: 1x cup tube / 1x lid tube / 1x sieve tube for flat sieves, with aluminium slat



196543

SATA RPS rotawall adapter kit: carousel, base spindle and wall holder (top and bottom)- Tubes are not included in the scope of delivery



196550

SATA RPS rotafloor adapter kit: carousel, base spindle, steel pipe - Tubes and bottom plates are not included in the scope of delivery



197723

Ground plate for SATA RPS rotafloor adapter kit Important: Always order with 196550 and 195784 !

SPRAY GUNS

CUP SYSTEMS

BREATHING PROTECTION

FILTER TECHNOLOGY

ADDITIONAL PRODUCTS

MERCHANDISING ITEMS

Spare parts for SATA RPS dispenser

1008219

Dispenser bowl for plug-in sieve for SATA RPS dispenser



1008227

Dispenser flap for plug-in sieve for SATA RPS dispenser



1008285

Support frame for lid dispenser for SATA RPS dispenser



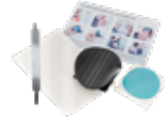
1028605

Bracket for plug-in sieve dispenser tray for SATA RPS dispenser



213629

Fixing kit for dispenser tubes lid/cup with adhesive pad, adhesive foil, holder for SATA RPS dispenser



213637

Cup holder for tube for SATA RPS dispenser



213645

Absorption brush for lid standard for SATA RPS dispenser



213652

Absorption brush for lid mini for SATA RPS dispenser

213660

Dispenser tube for lids for SATA RPS dispenser



213678

Cardboard tube for cups for SATA RPS dispenser



213686

Tube for plug-in and flat sieves for SATA RPS dispenser



215483

Fixing rivet (packing unit 4 pieces) for absorption brush for SATA RPS dispenser



215616

Spare part flat sieve dispenser bottom (1x) for SATA RPS dispenser



Gravity flow cup for spray guns

Reusable plastic cup

197541

Reusable plastic cup, 0.125 l with QCC without fine thread



125443

Reusable plastic cup, 0.125 l with QCC and fine thread for SATAmijet spray guns (except minijet 4400 B) and SATAjet 20 B



120675

0.3 l QCC reusable plastic cup, cpl. for SATAjet 5000 series, jet 4000, jet 1000, jet 100, jet 3000, minijet 4400



48587

0.3 l reusable plastic cup, with fine thread, cpl. for SATAjet B, jet GR, jet NR 95



128470

0.3 l QCC reusable plastic cup, compl. for SATAmijet 3000 B, minijet 1-4, jet 20 B



27243

Reusable plastic cup, 0.6 l with QCC without fine thread for SATAjet 5000 series, jet 4000 B, jet 3000 B, jet 2000, jet 1000 B, jet 100 B, jet RP, minijet 4400 B



1004960

0.6 l QCC reusable plastic cup with fine thread cpl. for SATA KLC, LM 2000, jet 90-2, jet RP



49379

0.6 l reusable plastic cup, with fine thread cpl. for SATAjet B, jet GR, jet NR 95, jet 3000 LAB, jet 4000 LAB, jet 5000 LAB



Aluminium reusable cup

198911

Reusable aluminium cup, 0.15 l with QCC without fine thread for SATAjet 5000 series, jet 4000 B, jet 3000 B, jet 2000, jet 1000 B, jet 100 B, jet RP, minijet 4400 B



125948

0.15 l QCC reusable aluminium cup, cpl. for SATAminijet (except minijet 4400) and jet 20 B



137729

Reusable aluminium cup, 0.75 l with QCC without fine thread for SATAjet 5000 series, jet 4000 B, jet 3000 B, jet 2000, jet 1000 B, jet 100 B



1013432

Reusable aluminium cup, 0.75 l with QCC and fine thread for jet 2000, jet 90, jet RP, LM 2000, KLC



6601

Reusable aluminium cup 0,75 l with fine thread, cpl. for SATAjet B, jet GR, jet NR 95



96685

Reusable aluminium cup, 1.0 l with QCC without fine thread for SATAjet 5000 series, jet 4000 B, jet 3000 B, jet 2000, jet 1000 B, jet 100 B



1013440

Reusable aluminium cup, 1.0 l with QCC and fine thread for jet 2000, jet 90, jet RP, LM 2000, KLC



46631

1.0 l reusable aluminium cup, with fine thread complete for SATAjet B, jet GR, jet NR 95



71555












Plastic lid (packing unit 3 pieces) for 0.75 l and 1.0 l reusable aluminium cup



RPS / LCS adapter for spray guns

RPS / LCS adapter for spray guns






Manufacturer:

| | SATA | | IWATA | | Walcom | | DeVilbiss | | Eminent | | Aigunsa | | Asturo | | Graco | | Sagola | | Dux | | Dürr | | Sharpe | | Walther Pilot | | Kremlin | |
|---|------------------------------|--|--------------|--|--|--------|----------------|---------------------------------------|------------------------------------|-----------------------------|------------------------------|-----|-------------|----------|----------|--------|---|--------------|--------------------------------------|----------------------------|------------|--------------|--------------------|-------|---------------|--|---------|--|
| | SATAjet B, jet GR, jet NR 95 | SATAjet 2000, jet RP, LM 2000 B, jet 90, KLC | SATA LM B 92 | SATAmirijet 3000 B, minijet 1 - 4, jet 20 B, IW400, WR 400, LPA 94, WL Primer Gun, LPH 400 | IW 300, LPH 300, LS 400, WS 400, WS-PRIMER | LPH 80 | Genesis Carbon | FX GEO, FX HVP, Ego Mini, Slim Kombat | PR1, GT1, GFP, GFV, GFHV 510, DV 1 | Starting Line HWP Spray Gun | Starting Line Mini Spray Gun | SRI | E13 Eminent | AZ40 HTE | OM Green | 3M PPS | 403 G, 433 G, 434 G, 444 G, 450 G, 4100 G | 475 Mini-Gun | 4400 G Extreme, 4500 G Extreme, 3300 | Gravity flow cup spray gun | Ecogun 910 | Finex FX 300 | Platinum, Titanium | III F | M 21 G | | | |
|  125211 RPS adapter No. 1 with QCC and connection M 16 x 1.5 (female thread) | X | | | X | | | | | | | | | | | | | | | | | | | | | | | | |
|  125237 RPS adapter No. 2 with QCC, connection M 16 x 1.5 (male thread) for SATAjet NR2000, SATAjet RP without QCC / SATA LM 2000 B, SATA KLC, SATAjet 90 | | X | | | | X | | | | | | | | | | | | | | | | | | | | | | |
|  125252 RPS adapter No. 3 with QCC and connection 3/8" (male thread) | | | | | | | | X | | | | | | | | | | | | | | | | | | | | |
|  125278 RPS adapter No. 4 with QCC and connection 1/4" (male thread) | | | | X | | | | | | | | | X | X | | | | | | | | | | | | | | |
|  125294 RPS adapter No. 5 with QCC and connection M 12 x 1 (male thread) | | | | | | | X | | | | | | | | X | | | | | | | | | | | | | |
|  126326 RPS adapter No. 6 with QCC and connection 3/8" (male thread) | | | | | | | | | | | | | | | | X | | | | | | | | | | | | |
|  133595 RPS adapter No. 7 with QCC and connection M 12 x 1.5 (male thread) | | | X | | | | | | | | | | | | | | X | | | X | | | | | | | | |
|  133827 RPS adapter No. 8 with QCC and connection G 3/8"-18 (female thread) | | | | | | | | | | | | | | | | | | | | | X | X | | | | | | |
|  135111 Spray gun adapter No. 9 with QCC and connection thread G 3/8" male thread -18 NPSF | | | | | | | | | | | | | | | | | | | | | | | X | | | | | |
|  135798 RPS adapter No. 10 with QCC and connection M 10 x 1 (male thread) | | | | X | | | | | | | | | | | | | X | | | | | | | | | | | |
|  150136 RPS adapter No. 13 with QCC and connection M 16 x 1.5 (male thread) | | | | | | | | | X | | | | | | | | | | | | | | | | | | | |

SPRAY GUNS
 CUP SYSTEMS
 BREATHING PROTECTION
 FILTER TECHNOLOGY
 ADDITIONAL PRODUCTS
 MERCHANDISING ITEMS

RPS / LCS adapter for spray guns

Manufacturer:

| | SATA | | IWATA | | Walcom | | DeVilbiss | | Eminent | | Airgunsa | | Asturo | | Graco | | Sagola | | Dux | | Duirr | | Starpe | | Walther Pilot | | Kremlin | |
|--|------------------------------|--|--------------|---|--------|----------------|--|------------------------------------|------------------------------|------------------------------|----------|-------------|----------|----------|--------|--|--------------|--------------------------------------|----------------------------|------------|--------------|--------------------|--------|--------|---------------|--|---------|--|
| | SATAjet B, jet GR, jet NR 95 | SATAjet 2000, jet RP, LM 2000 B, jet 90, KLC | SATA LM B 92 | SATAmijet 3000 B, minijet 1 - 4, jet 20 B, W400, WR 400, LPA 94, VXL Primer Gun, LPH 400, W 300, LPH 300, LS 400, WS 400, WS-PRIMER | LPH 80 | Genesis Carbon | FX GEO, FX HVLP, Ego Mini, Slim, Kombi | PRI, GTI, GFP, GFV, GFHV 510, DV 1 | Starting Line HVLP Spray Gun | Starting Line Mini Spray Gun | SRI | E13 Eminent | AZ40 HTE | OM Green | 3M PPS | 403 G, 433 G, 434 G, 444 G, 450 G, 4 100 G | 475 Mini-Gun | 4400 G Extreme, 4500 G Extreme, 3300 | Gravity flow cup spray gun | Ecogun 910 | Finex FX 300 | Platinum, Titanium | III F | M 21 G | | | | |
|  150151 RPS adapter No. 14 with QCC and connection M 11 x 1 (male thread) | | | | | | | | | X | | | | | | | | | | | | | | | | | | | |
|  164608 RPS adapter No. 15 with QCC and connection thread 7/16" - 14 UNC | | | | | | | | | | X | | | | | | | | | | | | | | | | | | |
|  188664 RPS adapter No. 18 with QCC and connection M 18 x 1.5 (female thread) | | | | | | | | | | | | | | | | | X | | | | | | | | | | | |
|  193276 RPS-Adapter No. 19 with QCC and connection 1/8" (male thread) | | | | | X | | | | | | | | | | | | | | | | | | | | | | | |
|  215079 RPS adapter No. 20 with QCC and connection 1/4" (male thread) | | | | | | | | | | | | | | | | | | | | | | | | X | X | | | |

SATA agitator cup

| | |
|-------------------------|--------------------------|
| Technical Data | SATA agitator cup |
| Cup capacity | 0,7 l |
| Max. operating pressure | 10,0 bar |
| Material | Aluminium |



SATA agitator cup

29926

SATA agitator cup, conversion kit for SATAjet 5000 series, jet 4000 B, jet 3000 B, jet 2000, jet 1000 B, jet 100 B, jet RP



9951

SATA agitator-cup for SATAjet B and GR/B-92 (supplementary equipment)



SPRAY GUNS

CUP SYSTEMS

BREATHING PROTECTION

FILTER TECHNOLOGY

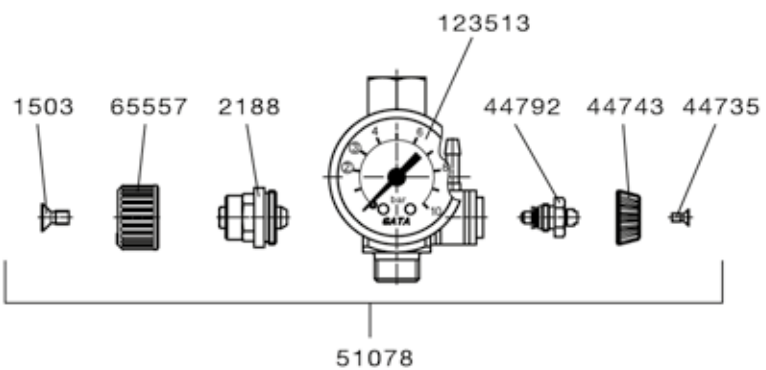
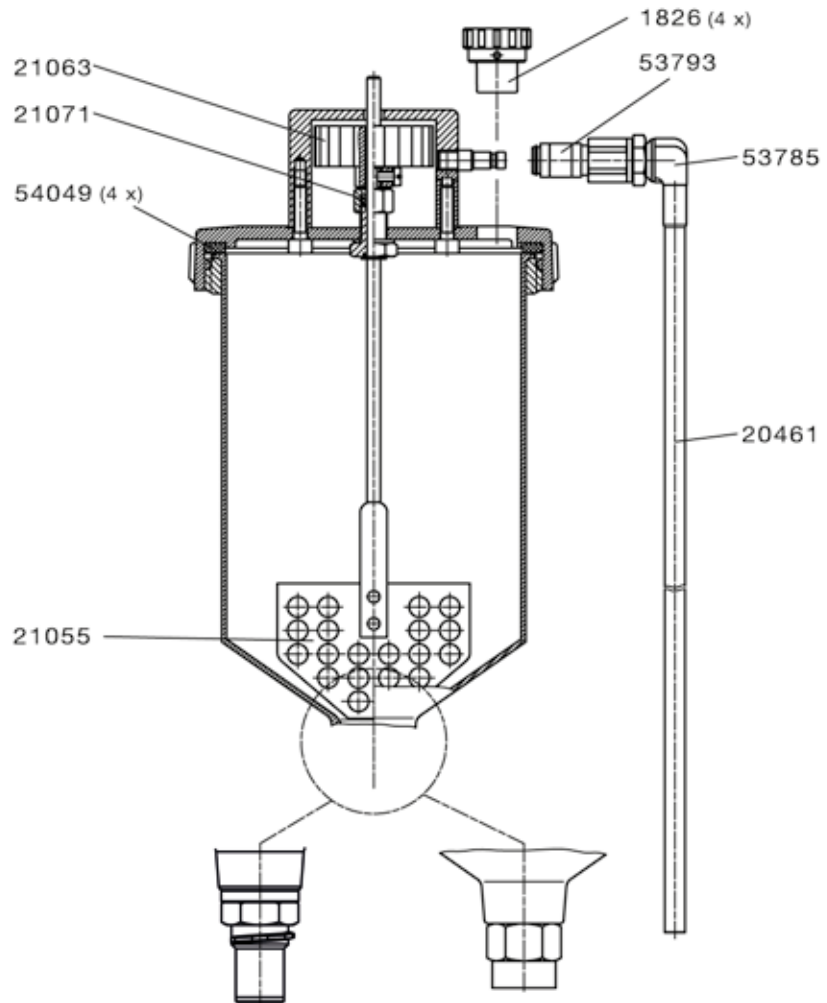
ADDITIONAL PRODUCTS

MERCHANDISING ITEMS

Spare parts

SATA agitator cup

| |
|--|
| 123513 |
| Pressure gauge 0-10 bar, 40 mm for regulation valve coloured stereotype plate |
| 1503 |
| Countersunk screw M4 x 8 DIN 965, stainless steel, for micrometer und round/flat spray control |
| 1826 |
| Anti-drip device (packing unit 4 pieces) |
| 20461 |
| Plastic air hose for BVD and agitator cup |
| 21055 |
| Agitating vane, cpl. |
| 21063 |
| Driving wing, cpl. with screw |
| 21071 |
| Gasket agitating vane, agitator cup |
| 2188 |
| Spindle |
| 44735 |
| Countersunk screw M 2.5 x 5, VA |
| 44743 |
| Control knob |
| 44792 |
| Spindle complete for SATAMinijet |
| 51078 |
| Regulation valve compl. for cup agitator |
| 53785 |
| Angle screw socket, LCN-1/8-PL-4, f. SATA NAD and BVD |
| 53793 |
| Coupling with G 1/8" (female thread) |
| 54049 |
| Sealing ring (packing unit 4 pieces) |
| 65557 |
| Control knob |



All prices are recommended list prices. Errors, technical modifications and printing errors reserved.

SPRAY GUNS

CUP SYSTEMS

BREATHING PROTECTION

FILTER TECHNOLOGY

ADDITIONAL PRODUCTS

MERCHANDISING ITEMS

SATA BVD

| | |
|-------------------------|-----------------|
| Technical Data | SATA BVD |
| Cup capacity | 0,7 l |
| Max. operating pressure | 1,7 bar |
| Material | Aluminium |



SATA BVD extension-set

25775
SATA BVD conversion kit with QCC without fine thread



57505
SATA BVD extension kit for SATAjet B and GR/B-92



SPRAY GUNS

CUP SYSTEMS

BREATHING PROTECTION

FILTER TECHNOLOGY

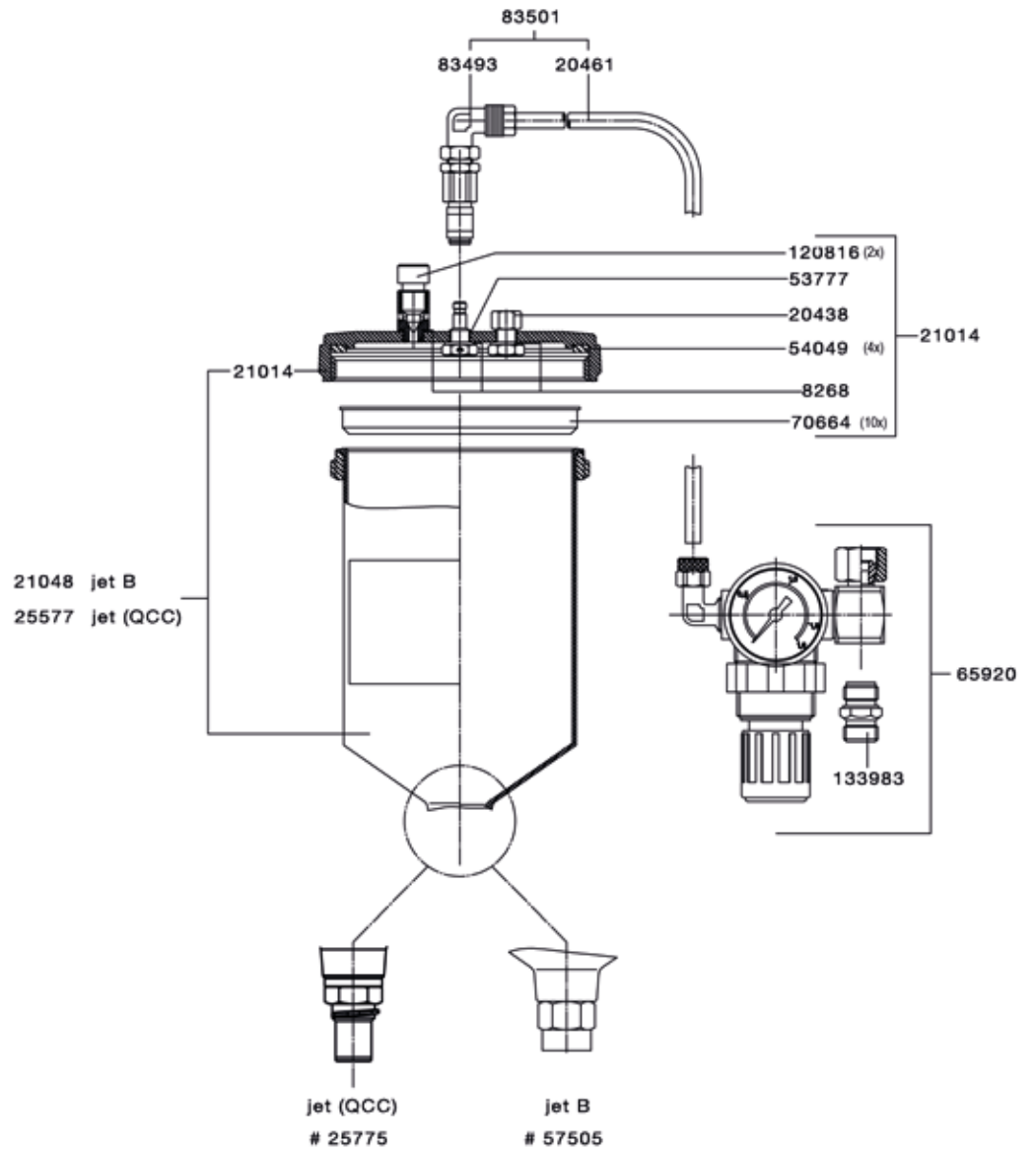
ADDITIONAL PRODUCTS

MERCHANDISING ITEMS

Spare parts

SATA BVD

| | |
|--------|--|
| 120816 | Pressure release screw (packing unit 2 pieces) |
| 133983 | Air connection piece 1/4" male thread |
| 20438 | Safety pressure relief valve BVD |
| 20461 | Plastic air hose for BVD and agitator cup |
| 21014 | Aluminium lid, cpl. |
| 21048 | Pressurised cup with lid |
| 25577 | Pressurised cup with lid |
| 53777 | Air connection for aluminium lid |
| 54049 | Sealing ring (packing unit 4 pieces) |
| 65920 | Control fittings, complete, for BVD pressurized cup connection kit (GR and LM) |
| 70664 | Anti-drip device (packing unit 10 pieces) |
| 8268 | Sealing ring |
| 83493 | Connection for pressurised cup, cpl. |
| 83501 | Air hose cpl. w. pressurized cup connection, for SATA Spray-Master |



Repair kit

73254
Repair kit for control fitting

Breathing Protection



Hood cloth
Breathable, solvent-resistant, lint-free and flame retardant. Quick exchange due to velcro attachment system.

Comfort head band
To ensure highest hygiene standards. Made of microfibre velour, dermatologically tested; can be exchanged within a few seconds only; includes foam insert for enhanced wearer comfort.

Hood
With rigid skull cover providing impact protection whilst working in confined areas.

Headband
Can be adjusted at 4 different points ensuring perfect fit.

SATA CCS discs
Allows the convenient individual identification to avoid confusion; available in 4 colours.

Locking/pivot control
Allows easy visor location.

Visor
With large field of vision

Facial seals
Follows facial contours ensuring optimum seal and comfort. Low reflection due to dark colour.

Plug-in diffuser
optional accessory – to avoid uncomfortable air flow.

Breathing air hose
for fresh air supply. Hose guide on the rear for maximum comfort.





Acoustic warning signal
Instant indication of insufficient air supply.


Diffusor block
Breathing air distribution reduces the noise level to 64 dB(A) at 2.5 bar inlet pressure.

| Breathing Protection | Product description | Product advantages |
|---|---|---|
|  <p>SATA air vision 5000 114</p> | <p>The SATA air vision 5000 offers a completely redesigned way of supplied air respiratory protection. The respiratory hood not only ensures high breathing air quality but also a low noise level. The modern, ergonomic design fits with almost any head shape and can be individually adjusted in size, height and position.</p> | <ul style="list-style-type: none"> • Absolute safety through external supply of clean air to the spray booth – up to 100 times TRC value and suitable for continuous use • No inhalation resistance, very comfortable breathing • Ergonomic design with individual adjustment options and one-hand operation of the visor • Little operating costs, quick pay-off of purchase costs • Soft-stream flow-optimised air distribution in the hood • Reduced sound level: 64 dB (like a conversation in 1m distance) • The SATA CCS Discs (Color Code System) allow to personalise hood, SATA air regulator and SATA air carbon regulator • Single solvent resistant tear off visors over an aperture in the front of the mask, ensuring 100% visibility and reduction in light reflections. |
|  <p>SATA vision 2000 118</p> | <p>This full hood is specifically designed to meet the requirements of painters and protects the respiratory system, eyes, skin and hair. In addition, it offers a high wearing comfort and optimum hygiene. The hood with hygienic hood insert, replaceable sweatband and acoustic warning device is available as a set. This includes a belt unit – optionally with activated carbon adsorber and air flow regulation and display or a T-piece with an air flow regulation.</p> | <ul style="list-style-type: none"> • High breathing air quality due to air supply independent of ambient air, no inhalation resistance, high breathing comfort • High protection level, suitable for long application intervals • Protects up to 100 times the TRC-value • Visor allows one-hand operation • Single solvent resistant tear off visors over an aperture in the front of the mask, ensuring 100% visibility and reduction in light reflections. • Little operating costs, quick pay-off of purchase costs |
|  <p>SATA air star C 120</p> | <p>The SATA air star C half mask offers maximum visibility and better breathing protection than half masks with filter cartridges. The activated carbon filter, either as a static unit on the wall or portable on the belt unit, provides clean breathing air. The optimally filtered air is supplied to the user directly into the mask, in a steady stream without any inhalation resistance.</p> | <ul style="list-style-type: none"> • Ambient air independent supply of pure breathing air (protects up to 100 times the TRC value)* also outside the spray booth • No inhalation resistance, very comfortable breathing • Free vision (protective goggles required) • No accumulation of heat and humidity inside the mask • Excellent fit for any type of facial contours • Very light and comfortable • 4 pointed straps for easy handling and safe fit |
|  <p>air star F 2.0 124</p> | <p>The latest generation of the filter half-mask from SATA weighs approx. 325 grams and is significantly lighter than its predecessor. With its anatomically shaped mask body and further improved wearing comfort, it makes wearing a mask more comfortable: Respiratory protection for minor painting or preparatory work outside the booth. The filters of the air star F 2.0 are slightly flatter, and they also sit lower and further back than on previous models. This results in a larger field of vision. The practical click system makes it easy to change the filter.</p> | <ul style="list-style-type: none"> • Low weight • Enlarged field of vision • Improved wearing comfort • Practical head band: adjust once - and only once • New look in elegant black with red accents |


Breathing Protection without Activated Charcoal Belt Unit



| Recommended accessories | |
|--|---|
| 1007005 SATA air warmer |  |
| 1006982 SATA air cooler |  |
| 49080 Safety compressed air hose crush and kink resistant, 6 m |  |
| 13870 Gun air hose 9 mm inner diameter, 1.2 m to connect a spray gun to the belt unit |  |



Compressed air-supplied respirator hood to combine with triple-stage compressed air filters, e.g. SATA filter 584 with integrated activated charcoal filter stage.









Please order the gun **air hose #13870** for the best connection between air regulator and spray gun.

Breathing Protection with Activated Charcoal Belt Unit




Recommended accessories

| | |
|--|---|
| 1000132 SATA air warmer carbon for SATA air carbon regulator Multi-stage adjustable breathing air warmer |  |
| 1006982 SATA air cooler |  |
| 49080 Safety compressed air hose crush and kink resistant, 6 m |  |
| 13870 Gun air hose 9 mm inner diameter, 1.2 m to connect a spray gun to the belt unit |  |
| 1115189 Activated charcoal filter for SATA air carbon regulator |  |



Compressed air-supplied respirator hood to combine with double-stage compressed air filters fixed to the wall, e.g. SATA filter 544 **without** integrated activated charcoal filter stage.



Please order the gun air hose #13870 for the best connection between air regulator and spray gun.

SATA air vision 5000

| Technical Data | SATA air vision 5000 |
|-------------------------------|----------------------|
| Min. required air flow volume | 150 NI/min |
| Max. operating pressure | 10,0 bar |
| Noise level | 64 dB |



Available versions

1000124

SATA air vision 5000 n carbon set Version with activated carbon adsorber



213819

SATA air vision 5000 n set Version without activated carbon adsorber



1000249

SATA air vision 5000 n hood



1000059

SATA air carbon regulator set for SATA air vision 5000 / n



1000108

SATA air regulator set for SATA air vision 5000



1000166

SATA air carbon regulator for SATA air vision 5000 / n



Available versions

1000190

SATA air regulator for SATA air vision 5000 / n



1030668

SATA air regulator belt plus for SATA air vision 5000 / n



1000215

SATA air regulator belt for SATA air vision 5000 / n



1006982

SATA air cooler incl. adapter plate and hip pad for SATA air vision 5000 / n



1007005

SATA air warmer, incl. adapter plate and hip pad for SATA air vision 5000 / n



1000132

SATA air warmer carbon for SATA air carbon regulator



Accessories

1115189

Activated charcoal filter #218206, incl. 2 filter caps for SATA air carbon regulator

49080

SATA Safety compressed air supply hose Ø 10 mm, 6 m long, for SATA breathing protection systems



176792

SATA safety compressed air supply hose Ø 10mm, 10 m long for SATA breathing protection systems

180851

SATA safety compressed air supply hose Ø 10mm, 40 m long for SATA breathing protection systems

13870

SATA air hose, blue, 9mm, 1.2 m with quick coupling, red and nipple



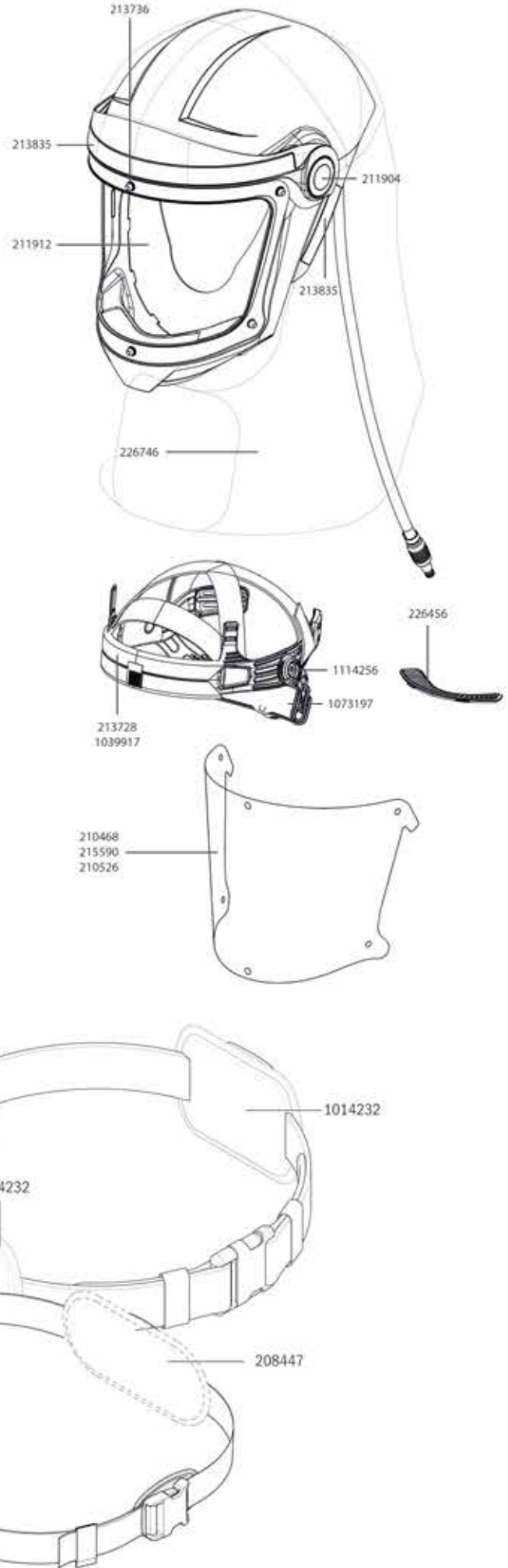
SPRAY GUNS
 CUP SYSTEMS
 BREATHING PROTECTION
 FILTER TECHNOLOGY
 ADDITIONAL PRODUCTS
 MERCHANDISING ITEMS

Spare parts

**SATA air vision
5000**

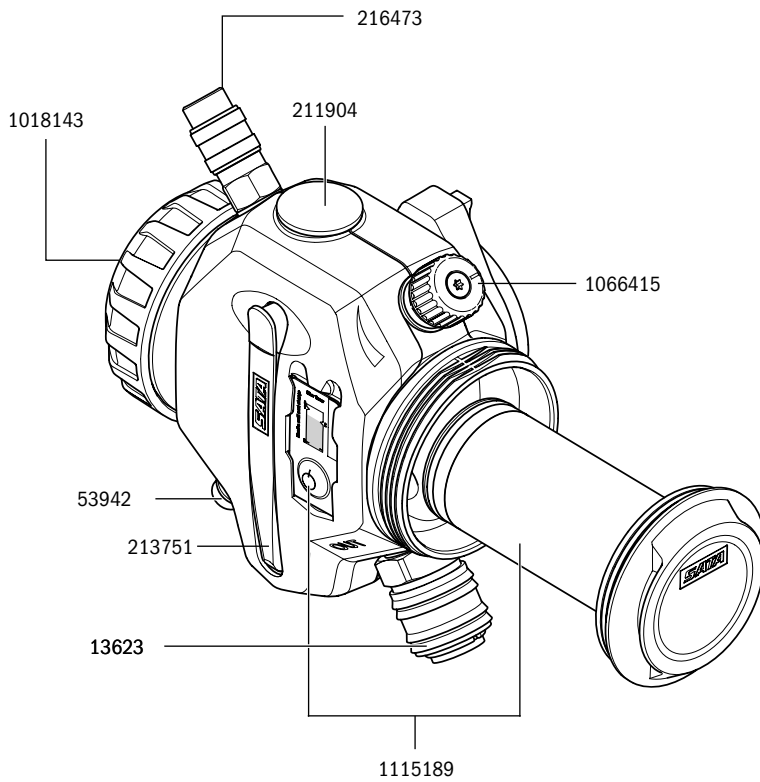
| |
|--|
| 1014232 |
| Hip pad (packing unit 1 piece) |
| 1014240 |
| Air hose cpl. |
| 1018143 |
| Filter fastener |
| 1036947 |
| Adapter plate |
| 1039917 |
| Comfort head band (packing unit 100 pieces) |
| 1066415 |
| Control knob, cpl. |
| 1073197 |
| Pad for head band (adjustment wheel) (packaging unit 2 pieces) |
| 1076521 |
| Cylinder screw |
| 1076589 |
| Air hose cpl. (for SATA air humidifier) |
| 1076612 |
| Container |
| 1076620 |
| Lid |
| 1076638 |
| Safety band for bayonet lock |
| 1076662 |
| Pressure relief valve, cpl. |
| 1076688 |
| Threaded elbow joint, swiveling |
| 1076703 |
| Safety and quick coupling with free passage |
| 1114256 |
| Head fixation 2.0 |
| 1115189 |
| Activated charcoal filter #218206, incl. 2 filter caps |
| 1128918 |
| O ring 52 x 2 mm, black, pack of 2 |
| 13623 |
| SATA quick coupling 1/4" (male thread) |
| 206151 |
| SATA filter timer for sinter filter |
| 208439 |
| Belt with buckle |
| 208447 |
| Hip pad (packing unit 1 piece) |
| 208462 |
| Adapter plate |
| 210468 |
| Visor foil, 6 perforations (packing unit 20 pieces) |
| 210526 |
| Visor foil, 6 perforations (packing unit 1000 pieces) |
| 211904 |
| CCS disc (packing unit 4 pieces) |
| 211912 |
| Hygiene insert (packing unit 20 pieces) |
| 213728 |
| Comfort band (packing unit 10 pieces) |
| 213736 |
| Visor bolt (packing unit 6 pieces) |
| 213751 |
| Hood holder for SATA air regulator |
| 213835 |
| Hook-and-loop tape long (packing unit 1 piece) and short (packing unit 2 pieces), adhesive on one side |
| 215590 |
| Visor foil, 6 perforations (packing unit 100 pieces) |
| 216473 |
| Safety quick coupling for SATA air regulator and SATA air carbon regulator |
| 226456 |
| Plug-in diffusor |
| 226621 |
| Humidifier kit consisting of humidifier module, lid seal and SATA filter timer |
| 226746 |
| Hood cloth, dark grey |
| 53942 |
| Nipple G 1/4 f. GS respirator, UBE + blow-off gun, size 14 |

| |
|------------------------|
| 81158 |
| Humidifier module cpl. |



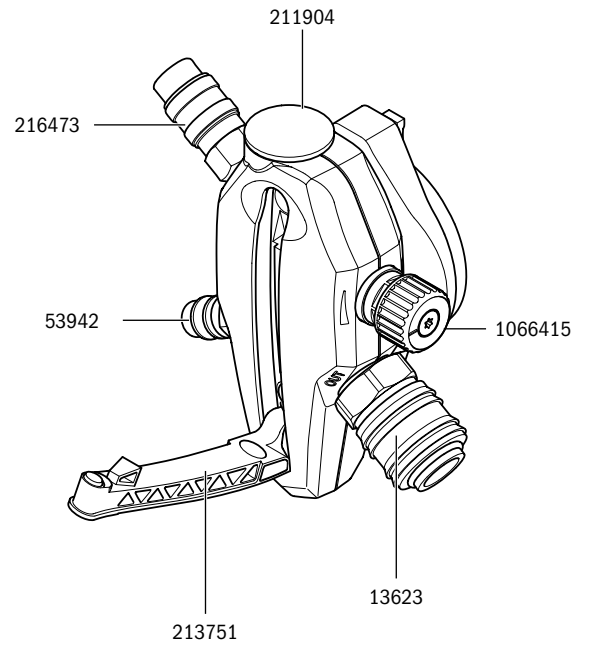
Spare parts for:

SATA air carbon regulator Art. Nr. 1000166



Spare parts for:

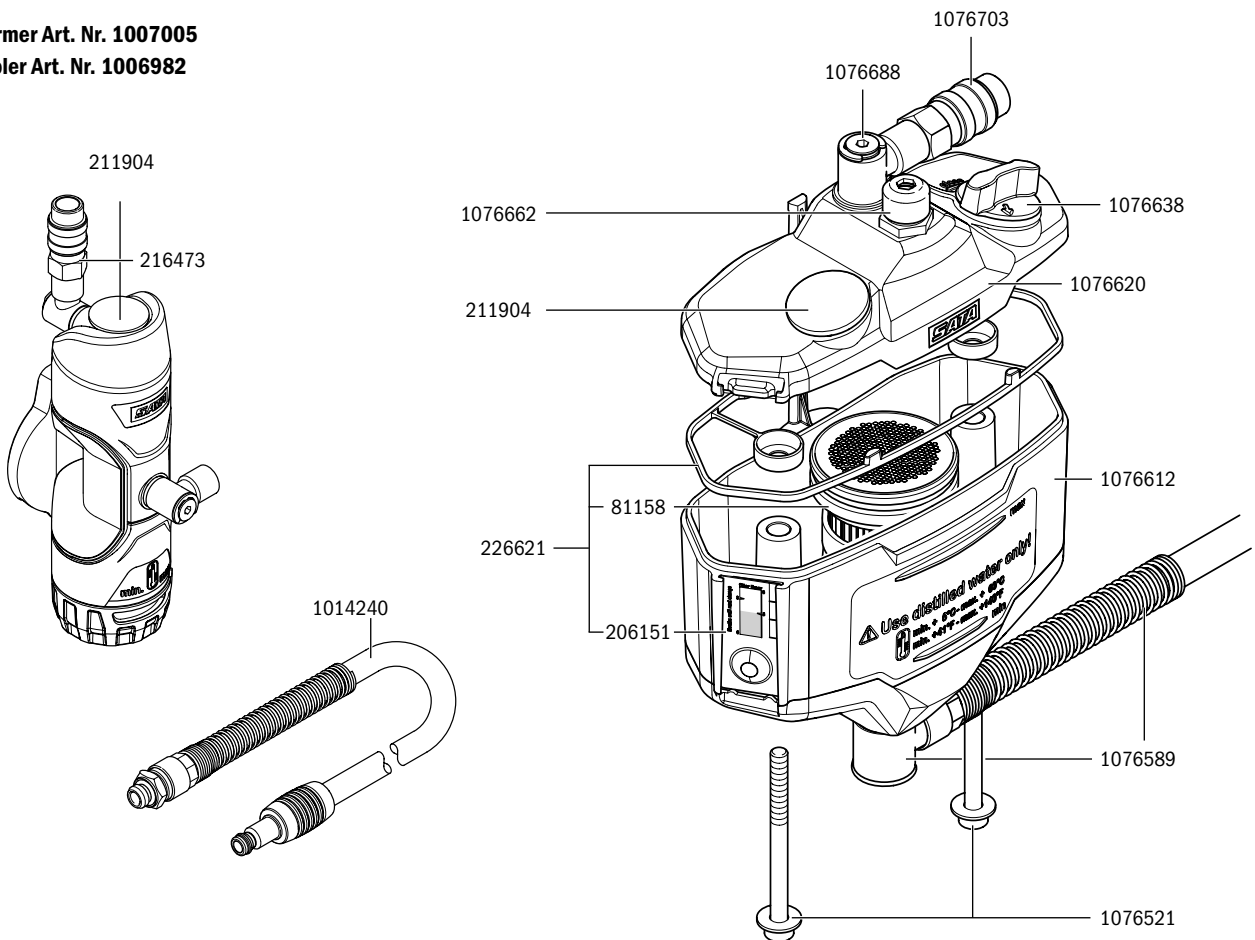
SATA air regulator Art. Nr. 1000190



Spare parts for:

SATA air warmer Art. Nr. 1007005

SATA air cooler Art. Nr. 1006982



All prices are recommended list prices. Errors, technical modifications and printing errors reserved.

SPRAY GUNS

CUP SYSTEMS

BREATHING PROTECTION

FILTER TECHNOLOGY

ADDITIONAL PRODUCTS

MERCHANDISING ITEMS

SATA vision 2000

| Technical Data | SATA vision 2000 |
|-------------------------------|------------------|
| Min. required air flow volume | 170 NI/min |
| Max. operating pressure | 8,0 bar |
| Noise level | 73 dB |



Available versions

173880

SATA respirator kit in systainer: SATA vision 2000 n and belt unit with activated charcoal adsorber and air regulation valve, SATA air warmer, SATA air hose 1.2 m



69500

SATA respirator kit vision 2000 n, with activated charcoal adsorber



154591

SATA breathing protection kit: SATA vision 2000 n and belt unit with T-piece and air control valve, version without activated carbon belt unit



52712

Hood for full face respirator vision 2000 n, with head/chest cloth over hood, without belt unit



54015

Belt unit with activated charcoal adsorber and air regulation valve for SATA vision 2000 and respirator hood CE industry with UV protection



122341

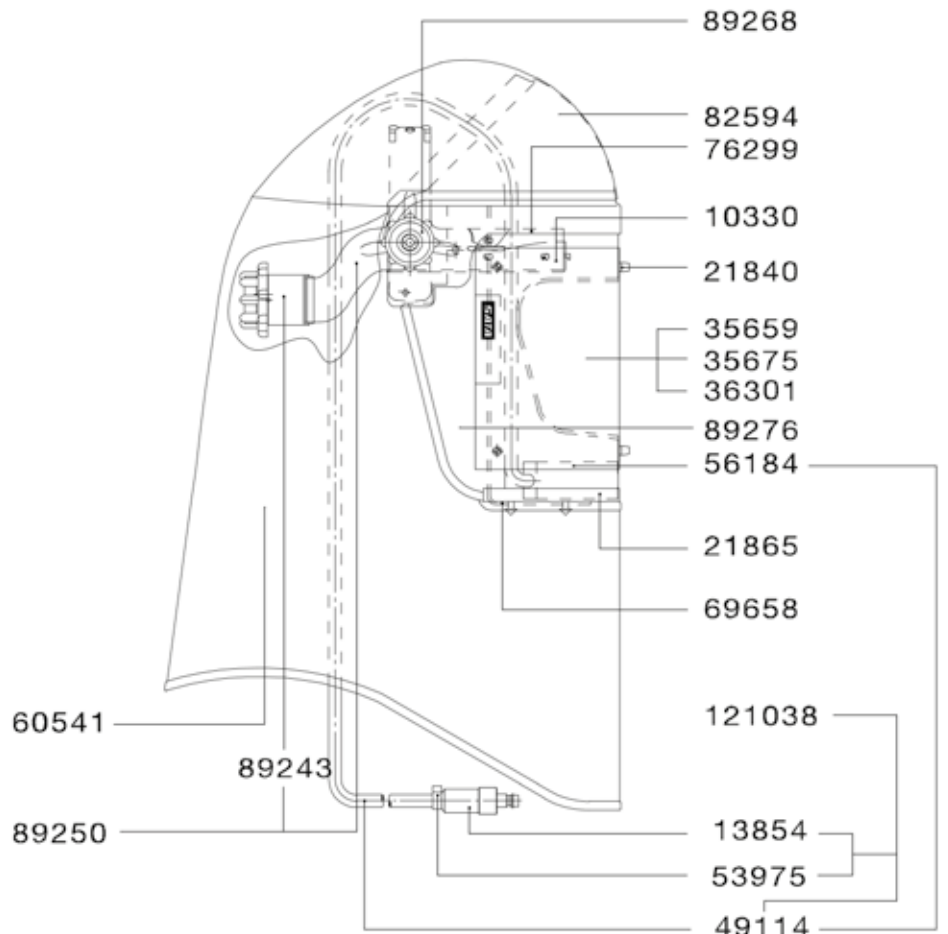
Belt unit with T-piece and air regulation valve for SATA vision 2000 / n, respirator hood CE industry with UV protection, air star C

58941

Belt unit with air regulation valve for SATA vision 2000 / n, respirator hood CE industry with UV protection, air star C

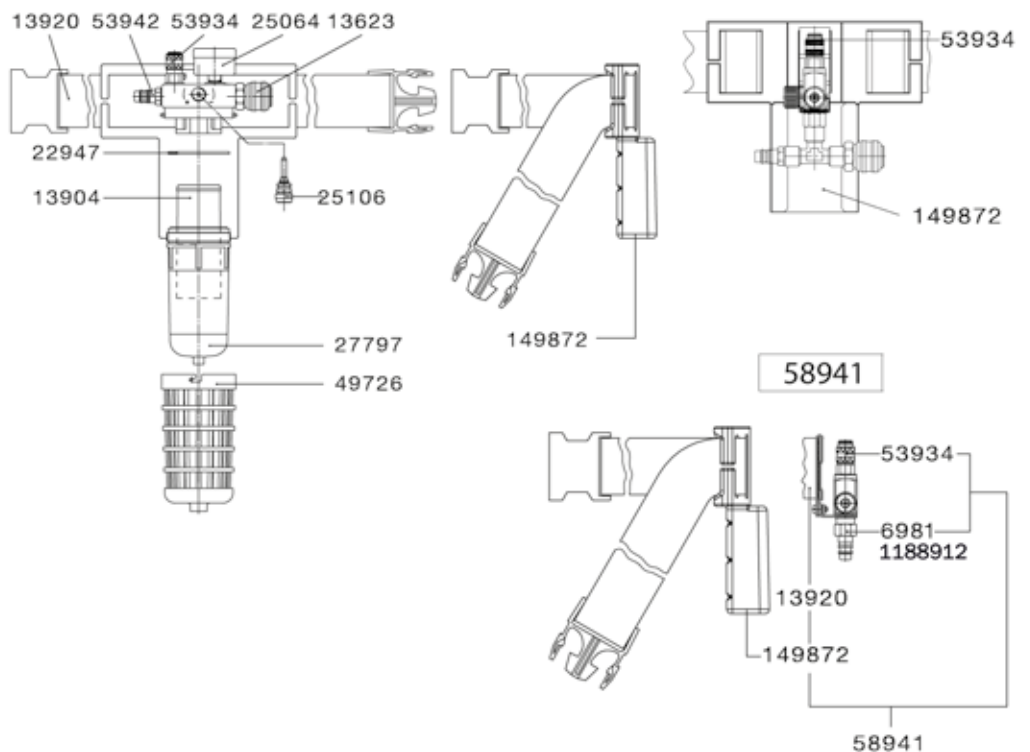
Spare parts
SATA vision 2000

| |
|---|
| 10330 |
| Sweat ribbon, microfibre-velour (packing unit 10 pieces) |
| 1188912 |
| SATA quick coupling nipple G 1/4" (female thread) |
| 121038 |
| Breathing air hose, cpl. with acoustic warning device, foam sleeve and noise reducer/coupling |
| 13623 |
| SATA quick coupling 1/4" (male thread) |
| 13854 |
| Silencer |
| 13904 |
| Activated charcoal cartridge for SATA activated charcoal adsorber |
| 13920 |
| Belt with buckle |
| 149872 |
| Belt cushion |
| 21840 |
| Set of plug-in nipples, complete, for Vision 2000 / n |
| 21865 |
| Bottom part (packing unit 2 pieces) |
| 22947 |
| O-ring |
| 25064 |
| Pressure gauge 0 - 6 bar, 40 mm, green area 1.3 - 2.6 bar |
| 25106 |
| Spindle, complete, for adsorber (CE) of half mask + full face respirator |
| 27797 |
| Adsorber glass |
| 35659 |
| Visor foil, 6 perforations (packing unit 5 pieces) |
| 35675 |
| Visor foil, 6 perforations (packing unit 25 pieces) |
| 36301 |
| Visor foil, 6 perforations (packing unit 1000 pieces) |
| 49114 |
| Breathing air hose with acoustic warning device and foam sleeve, without noise reducer/coupling |
| 49726 |
| Protective cage f. respirator filter unit |
| 53934 |
| Safety quick coupling for SATA full face respirator |
| 53942 |
| Nipple G 1/4 f. GS respirator, UBE + blow-off gun, size 14 |
| 53975 |
| Hose clamp 10.5 GER |
| 56184 |
| Foam sleeve for CE respirator |
| 60541 |
| Head / chest scarf, grey, over hood |
| 69658 |
| Hood inlay, black (20 pieces) |
| 6981 |
| SATA quick coupling nipple G 1/4" (female thread) (packing unit 5 pieces) |
| 76299 |
| Foam stripes, one side self-adhesive 8 x 25 x 345 mm, for respirators |
| 82594 |
| Hood with velcro tape, loose, for Vision 2000 / n respirator |
| 89243 |
| Adjustable part for head strap of Vision 2000 / n respirator |
| 89250 |
| Head strap, cpl., for Vision 2000 / n respirator |
| 89268 |
| Screwing (2 pieces) |
| 89276 |
| Carrier frame with side parts, plug-in nipples and bottom part, for Vision 2000 / n respirator |



54015

122341



58941

58941

All prices are recommended list prices. Errors, technical modifications and printing errors reserved.

SPRAY GUNS

CUP SYSTEMS

BREATHING PROTECTION

FILTER TECHNOLOGY

ADDITIONAL PRODUCTS

MERCHANDISING ITEMS

SATA air star C

| Technical Data | SATA air star C |
|-------------------------------|-----------------|
| Min. required air flow volume | 150 NI/min |
| Max. operating pressure | 4,0 bar |
| Noise level | 70 dB |



Available versions

137554

SATA respirator kit: SATA air star C and belt unit with activated charcoal filter and air regulation valve



137570

SATA breathing protection kit: SATA air star C and belt unit with T-piece and air control valve, version without activated carbon belt unit



137588

SATA air star C half mask with breathing hose, without filter



55798

Belt unit with activated charcoal adsorber and air regulation valve for SATA air star C



122341

Belt unit with T-piece and air regulation valve for SATA vision 2000 / n, respirator hood CE industry with UV protection, air star C



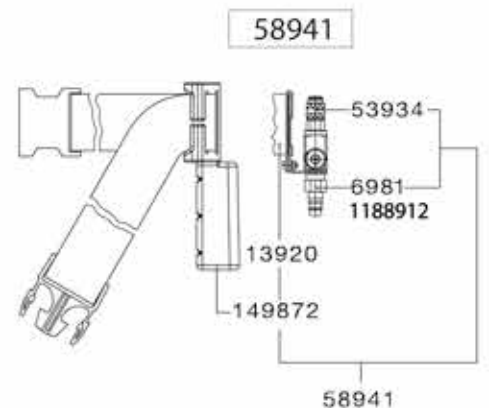
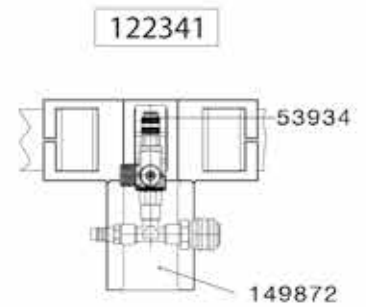
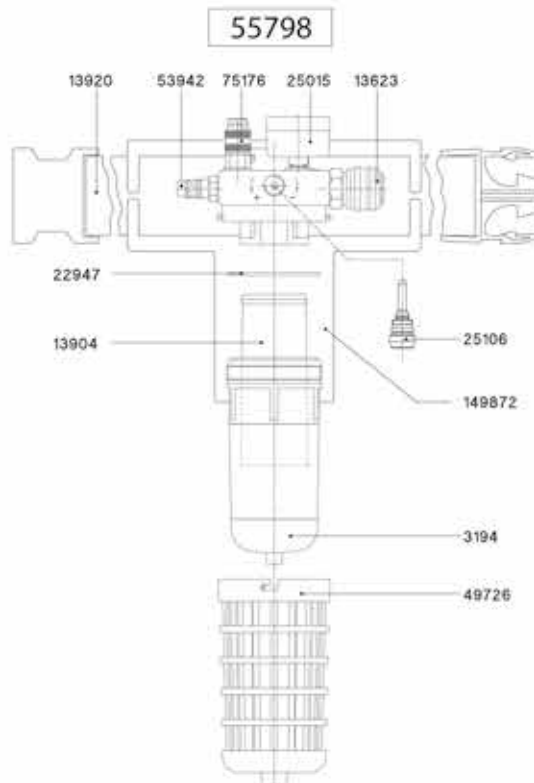
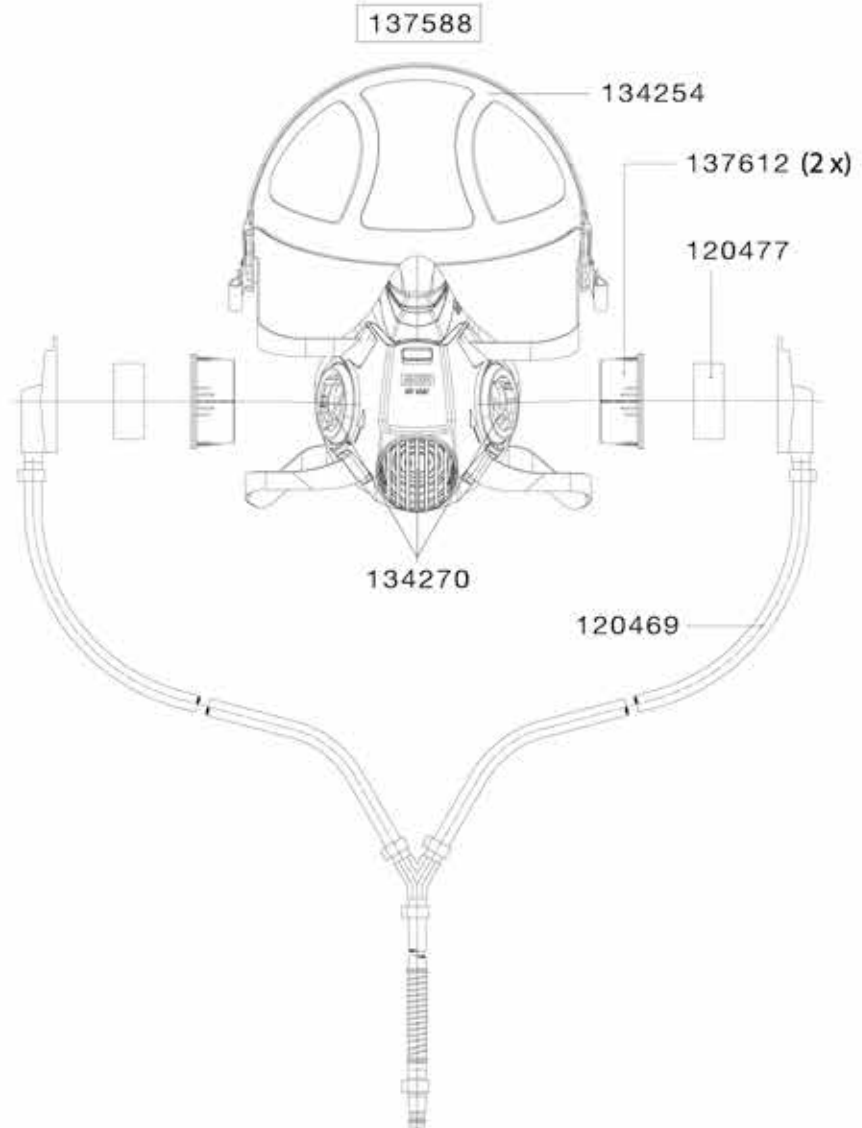
58941

Belt unit with air regulation valve for SATA vision 2000 / n, respirator hood CE industry with UV protection, air star C



Spare parts
SATA air star C

| |
|---|
| 1188912 |
| SATA quick coupling nipple G 1/4" (female thread) |
| 120469 |
| Breathing air hose, cpl. |
| 120477 |
| Air distributor (packing unit 2 pieces) |
| 134254 |
| Head strap with fixing unit and yoke for SATA air star C |
| 134270 |
| Inhalation and exhalation diaphragms (packing unit 5 pieces or 10 pieces, resp.) |
| 13623 |
| SATA quick coupling 1/4" (male thread) |
| 137612 |
| Connection (packing unit 2 pieces) |
| 13904 |
| Activated charcoal cartridge for SATA activated charcoal adsorber |
| 13920 |
| Belt with buckle |
| 149872 |
| Belt cushion |
| 22947 |
| O-ring |
| 25015 |
| Pressure gauge 0 - 6 bar, 40 mm, green area 1 - 3 bar |
| 25106 |
| Spindle, complete, for adsorber (CE) of half mask + full face respirator |
| 3194 |
| Adsorber glass |
| 49726 |
| Protective cage f. respirator filter unit |
| 53934 |
| Safety quick coupling for SATA full face respirator |
| 53942 |
| Nipple G 1/4 f. GS respirator, UBE + blow-off gun, size 14 |
| 6981 |
| SATA quick coupling nipple G 1/4" (female thread) (packing unit 5 pieces) |
| 75176 |
| Safety quick closure coupling NW 5, type 21, for adsorber of half mask respirator, version GS |



All prices are recommended list prices. Errors, technical modifications and printing errors reserved.

SPRAY GUNS

CUP SYSTEMS

BREATHING PROTECTION

FILTER TECHNOLOGY

ADDITIONAL PRODUCTS

MERCHANDISING ITEMS

Accessories for SATA vision 2000/SATA air star C

SATA air warmer / air cooler for SATA vision 2000

61242
SATA air warmer 2000



1143916
SATA air cooler 2000



Accessories and air hoses

13904
Activated charcoal cartridge for SATA activated charcoal adsorber for SATA vision 2000 / n and SATA air star C



15412
Suspender belt for SATA belt units SATA air star C and SATA air vision 5000 / n / vision 2000 / n



13870
SATA air hose, blue, 9mm, 1.2 m with quick coupling, red and nipple



49080
SATA Safety compressed air supply hose Ø 10 mm, 6 m long, for SATA breathing protection systems



176792
SATA safety compressed air supply hose Ø 10mm, 10 m long for SATA breathing protection systems

180851
SATA safety compressed air supply hose Ø 10mm, 40 m long for SATA breathing protection systems

Cleaning cloths

134965
SATA half mask cleaner (packing unit 10 pieces)

135020
SATA half mask cleaner (packing unit 50 pieces)

75358
SATA wet & dry cleaner (packing unit 10 pieces) Please observe: The supplied product has a limited use-by date!

83881
SATA wet & dry cleaner (packing unit 50 pieces) Please observe: The supplied product has a limited use-by date!

Head covers for SATA vision 2000

60541
Head / chest scarf, grey, over hood for SATA vision 2000 / n



56762
Head and chest cloth, grey for SATA vision 2000 / n

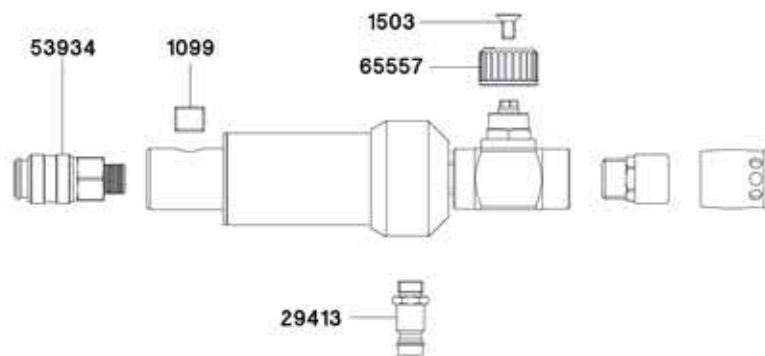
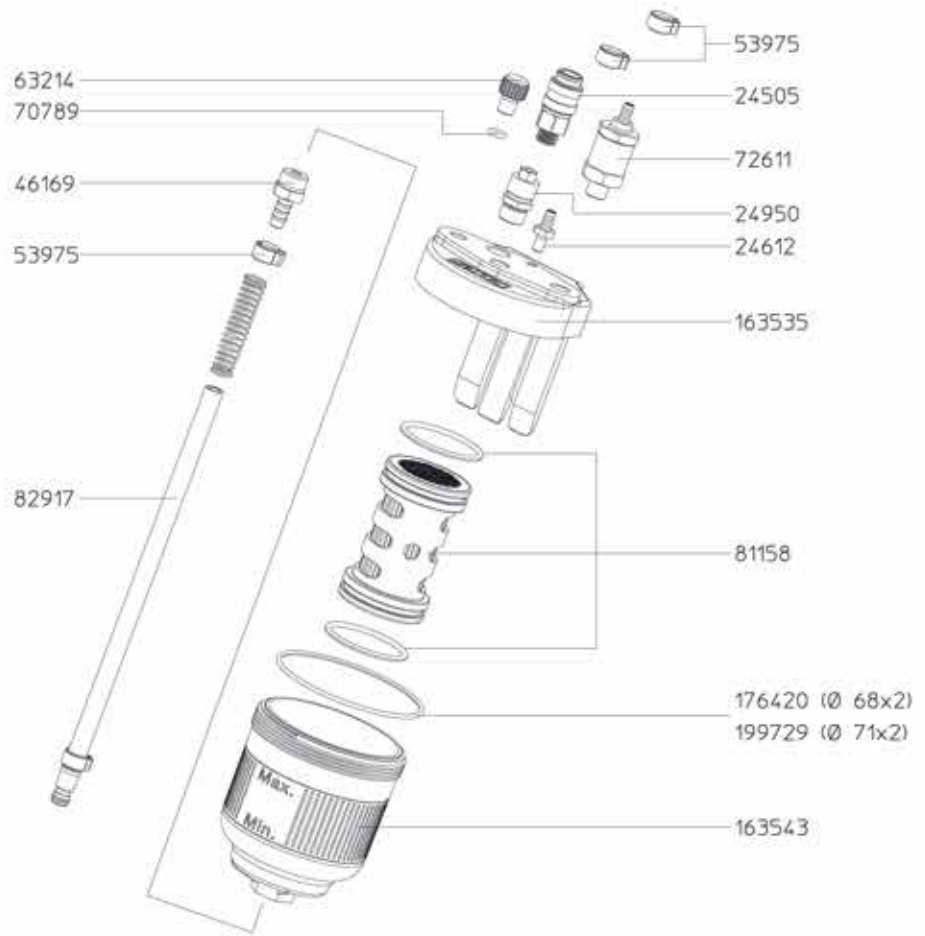
SATA top air
Spare parts

| |
|---|
| 163535 |
| Holder |
| 163543 |
| Container with acme thread |
| 176420 |
| O-ring 68 x 2.0 NBR for SATA top air |
| 199729 |
| O-Ring for SATA top air |
| 24505 |
| Safety quick closure coupling, free passage, for SATA top-air |
| 24612 |
| Nipple |
| 24919 |
| O-ring |
| 24950 |
| Safety valve, complete, for SATA top-air |
| 46169 |
| Plug-in nipple for SATA top-air |
| 53975 |
| Hose clamp 10.5 GER |
| 63214 |
| Closing screw for SATA top-air |
| 70789 |
| O-ring 5 x 2 mm, ethylene-propylene, for control piston SATA LP90 |
| 72611 |
| Valve, complete, for SATA top-air |
| 81158 |
| Humidifier module cpl. |
| 82917 |
| Breathing air hose, cpl. |

SATA air warmer / air cooler

Spare parts

| |
|--|
| 1099 |
| Closing screw DIN 906 G 1/8-ST., nickel-plated |
| 1503 |
| Countersunk screw M4 x 8 DIN 965, stainless steel, for micrometer und round/flat spray control |
| 29413 |
| Nipple |
| 53934 |
| Safety quick coupling for SATA full face respirator |
| 65557 |
| Control knob |



air star F 2.0



Available versions

1173252
air star F 2.0 including hygiene storage box with filter A2 and P3



Accessories

134965
SATA half mask cleaner (packing unit 10 pieces)

135020
SATA half mask cleaner (packing unit 50 pieces)

Spare parts**air star F 2.0**

1173202

Filter kit filter classes A2 and P3

1181510

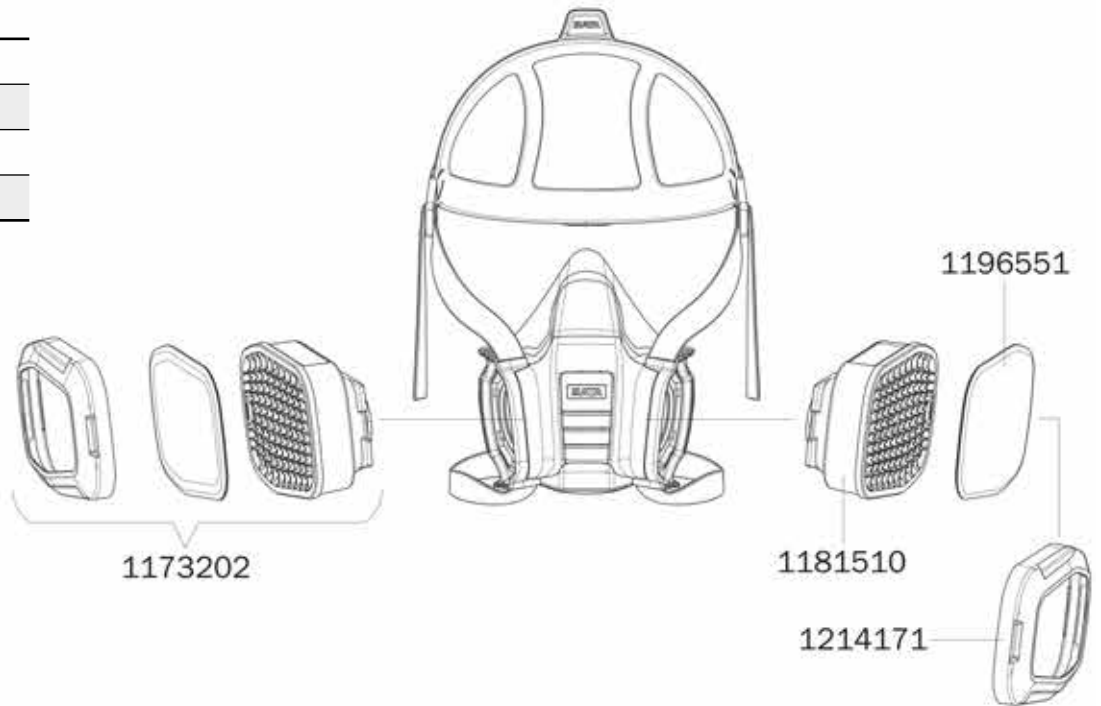
Filter pair A2

1196551

Filter pair P 3

1214171

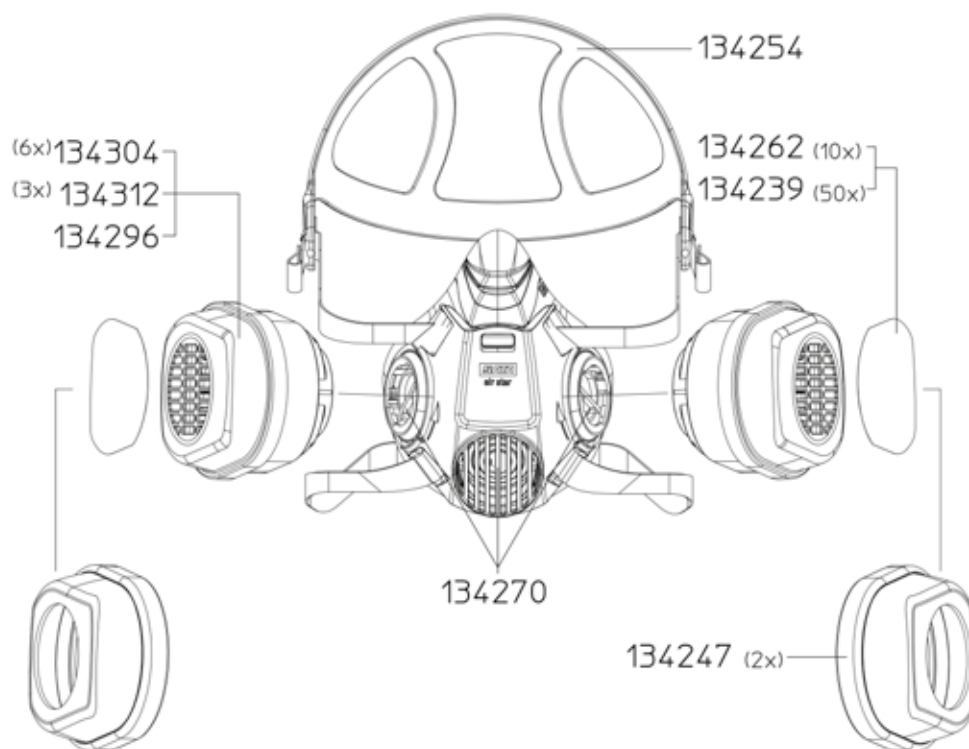
Filter cover, pack of 2 pieces



Spare parts

SATA air star F

| |
|--|
| 134239 |
| Pre-filter (packing unit 50 pieces) |
| 134247 |
| Pre-filter holder, red (packing unit 2 pieces) and pre-filter (packing unit 10 pieces) Please observe: The supplied product has a limited use-by date! |
| 134254 |
| Head strap with fixing unit and yoke for SATA air star C |
| 134262 |
| Pre-filter (packing unit 10 pieces) |
| 134270 |
| Inhalation and exhalation diaphragms (packing unit 5 pieces or 10 pieces, resp.) |
| 134296 |
| Special filter A2 P3 R D (1 pair) |
| 134304 |
| Special filter A2:P3 R D (6 pairs) |
| 134312 |
| Special filter A2:P3 D (3 pairs) |



SPRAY GUNS

CUP SYSTEMS

BREATHING PROTECTION

FILTER TECHNOLOGY

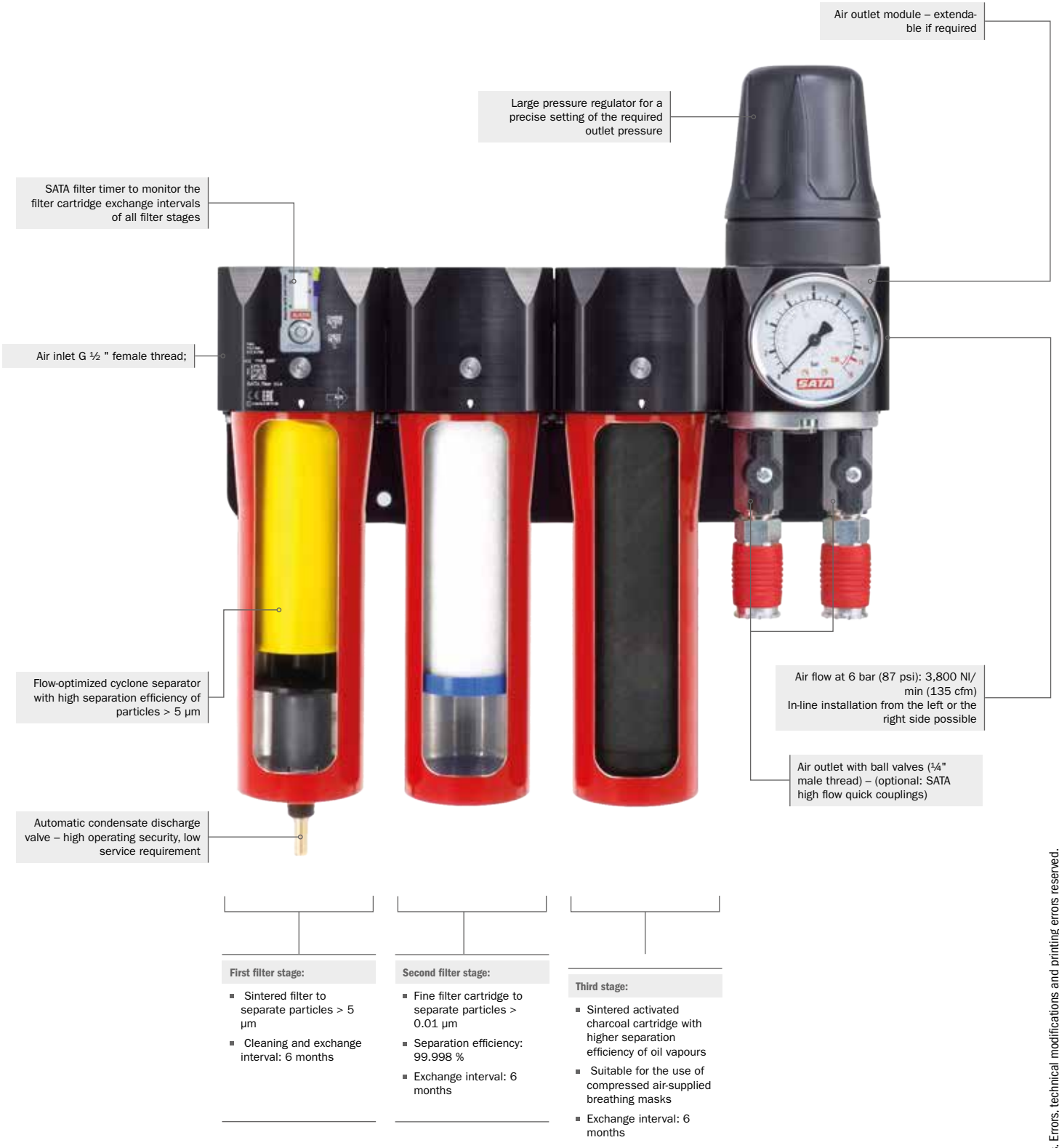
ADDITIONAL PRODUCTS

MERCHANDISING ITEMS



Air Star F 2.0
100%
100%
100%

Filter Technology



Filter Technology

Product description

Product advantages



SATA filter
584/564/544/524
130

The SATA filter series 500 is available either as a one-stage sintered filter with water and oil separator, as a two-stage combination filter with sintered and fine filter, or as a three-stage filter unit with additional sintered activated charcoal filter.

- Higher absorption of contaminations (compared to SATA filter 484) due to the new sintered activated charcoal filter
- Synchronised maintenance: Filter maintenance only necessary every six months for all stages
- Maintenance-free bayonet lock with haptic and acoustic feedback
- Fine filter and activated charcoal filter cartridges fit perfectly by simply being inserted – no screw fittings or additional seals
- Simple plug-in system for upgrading SATA filter 544 to 584
- Maintenance-free sealing elements
- Line connection possible either from the left or the right side
- Air flow at 6 bar: 3,800 NI/min



SATA filter 103 prep/101 prep/100 prep
134

The SATA filters 100 prep and 103 prep have been specially developed for the requirements at the work preparation area. By using these filters, coating flaws can be avoided from the beginning. Not suitable for use in spray booths.

- Finest particles are separated down to a size of 0.1 µm
- The first filter stage with large cyclone separator and sinter filter reliably removes oil droplets, condensate and suspended particles from the compressed air.
- The second filter stage, the microfiber fine filter, separates fine particles down to a size of 0.1 µm
- The third filter stage with activated charcoal provides the highest level of safety when processing waterborne primer materials.
- The automatic condensate drain of the 1st filter stage keeps the service effort low and increases the operational reliability
- Pressure regulator valve with gauge for precise adjustment of the outlet pressure
- Ideal for the work preparation area with temperatures < 50 °C
- Air flow rate 800 NI/min at 6 bar inlet pressure.

SATA filter

584/564/544/524

| Technical Data | SATA filter 584/564/544/524 |
|--|-----------------------------|
| Max. air flow | 3800 NI/min |
| Max. permissible surrounding temperature (with / without activated charcoal) | 60 °C; 120 °C |
| Max. air inlet pressure | 15,0 bar |
| Thread connection inlet side | G 1/2" (female thread) |
| Exchange interval first filter stage | 6 Months |
| Exchange interval second filter stage | 6 Months |
| Exchange interval third filter stage | 6 Months |



Combi filter

1099953

SATA filter 584 triple-stage sinter filter/fine filter/activated charcoal with pressure regulator and outlet module (2 x 1/4" male thread)



1101675

SATA filter 584 mobil, triple-stage sintered filter/fine filter/activated charcoal with pressure regulator, air outlet (2x quick coupling) and SATA air hose, 13 mm with trolley



1101625

SATA filter 584 with carrying support triple-stage sinter filter/fine filter/activated charcoal, pressure regulator, outlet module (2 x 1/4" male thread)



1101005

SATA filter 564 add-on kit activated charcoal filter to retrofit SATA filter 544 to SATA filter 584



1100990

SATA filter 544 double-stage sinter filter/fine filter with pressure regulator and outlet module (2 x 1/4" male thread)



1101659

SATA filter 524 single-stage sinter filter, pressure regulator, outlet module (2 x 1/4" male thread)



Combi filter

1101641

SATA filter 524 L single-stage sinter filter, pressure regulator, for pipeline installation (G 1/2" female thread)



1101667

SATA pressure reducer with gauge 0-10 bar (0-145 psi), air outlet G 1/2" (female thread)



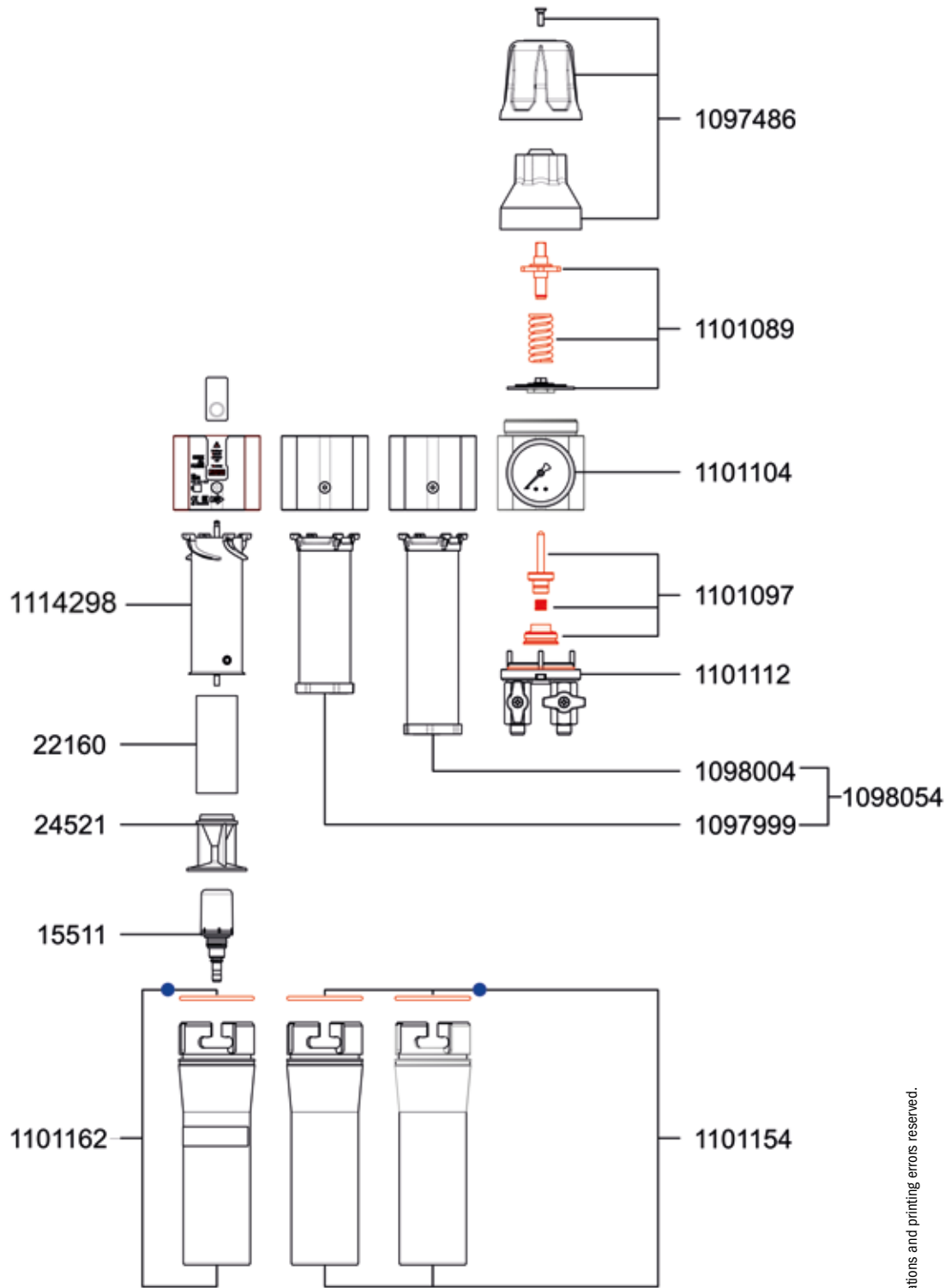
SPRAY GUNS
 CUP SYSTEMS
 BREATHING PROTECTION
 FILTER TECHNOLOGY
 ADDITIONAL PRODUCTS
 MERCHANDISING ITEMS

Spare parts

SATA filter

584/544

| | |
|---------|---|
| 1097486 | Pressure reducer cap with pressure adjustment screw and countersunk screw |
| 1097999 | Fine filter cartridge |
| 1098004 | Activated charcoal cartridge |
| 1098054 | Service kit for SATA filter series 500: with fine filter and activated charcoal cartridge |
| 1101089 | Diaphragm incl. pressure spring and spindle |
| 1101097 | Pressure steering unit |
| 1101104 | Pressure gauge 0 - 15 bar (0-145 psi) |
| 1101112 | Cover unit with ball valves 2 pcs. |
| 1101154 | Filter housing |
| 1101162 | Filter sleeve with automatic discharge valve |
| 1114298 | Cyclone separator |
| 15511 | Automatic condensate drain valve |
| 22160 | Sintered filter |
| 24521 | Condensate retainer |



Repair kit

1102087
Service unit SATA Filter series 400

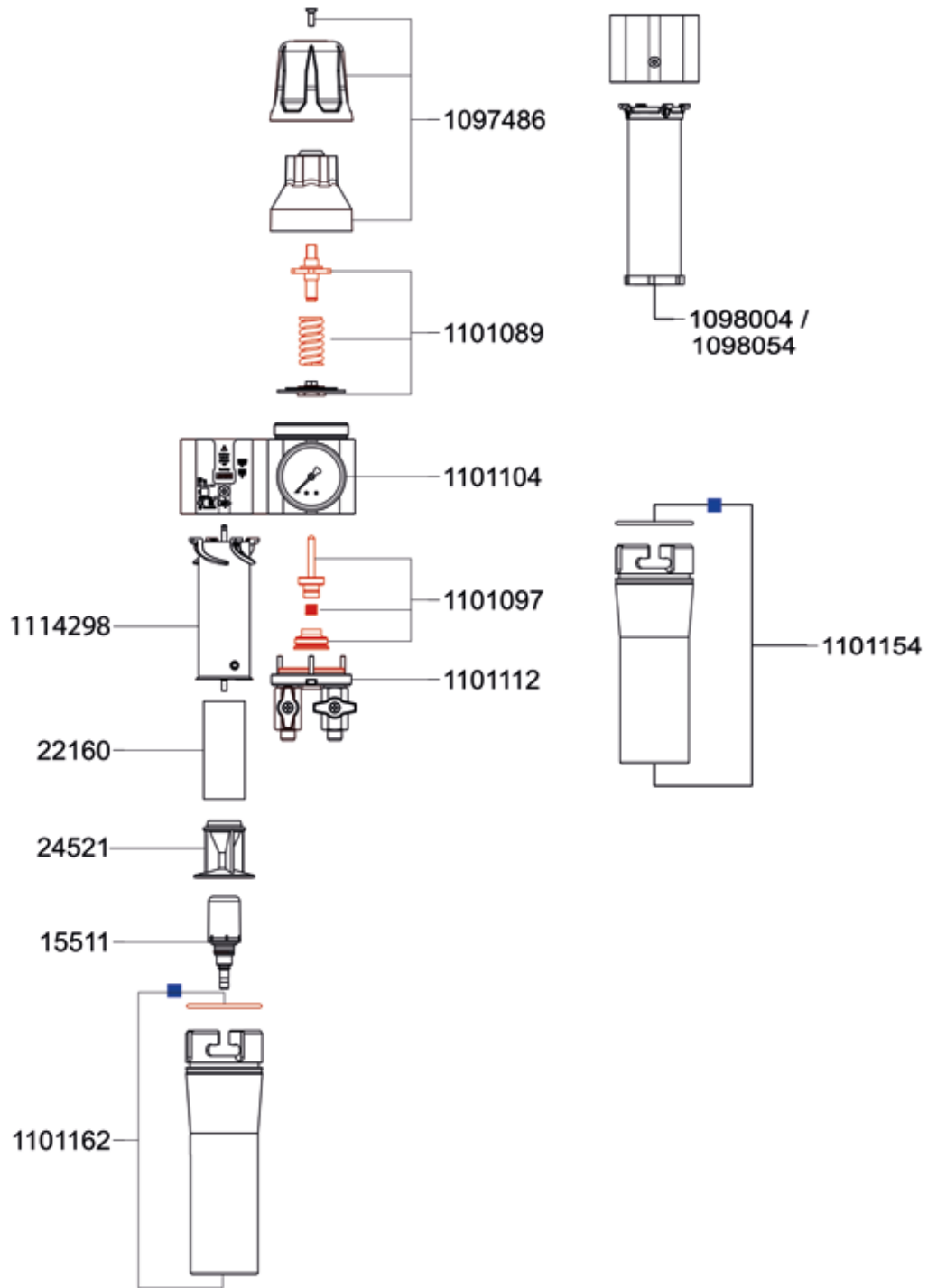
1101518
Sealing kit



Spare parts

**SATA filter
564/524**

| | |
|---------|---|
| 1097486 | Pressure reducer cap with pressure adjustment screw and countersunk screw |
| 1098004 | Activated charcoal cartridge |
| 1098054 | Service kit for SATA filter series 500: with fine filter and activated charcoal cartridge |
| 1101089 | Diaphragm incl. pressure spring and spindle |
| 1101097 | Pressure steering unit |
| 1101104 | Pressure gauge 0 - 15 bar (0-145 psi) |
| 1101112 | Cover unit with ball valves 2 pcs. |
| 1101154 | Filter housing |
| 1101162 | Filter sleeve with automatic discharge valve |
| 1114298 | Cyclone separator |
| 15511 | Automatic condensate drain valve |
| 22160 | Sintered filter |
| 24521 | Condensate retainer |



Repair kit

- 1102087
Service unit SATA Filter series 400
- 1101518
Sealing kit

SATA filter 103 prep/101 prep/100 prep

| Technical Data | SATA filter 103 prep/101 prep/100 prep |
|--|--|
| Max. air flow | 800 NI/min |
| Max. permissible surrounding temperature (with / without activated charcoal) | 50 °C |
| Max. air inlet pressure | 10,0 bar |
| Thread connection inlet side | G 1/2" (female thread) |
| Exchange interval first filter stage | 6 Months |
| Exchange interval second filter stage | 6 Months |
| Exchange interval third filter stage | 3 Months |



Available versions

157420

SATA filter 103 prep triple-stage sinter filter/fine filter/activated charcoal filter with pressure regulator and 1 outlet tap (1/4" male thread)



157412

SATA filter 101 prep single-stage activated charcoal filter to retrofit filter 100 prep to filter 103 prep



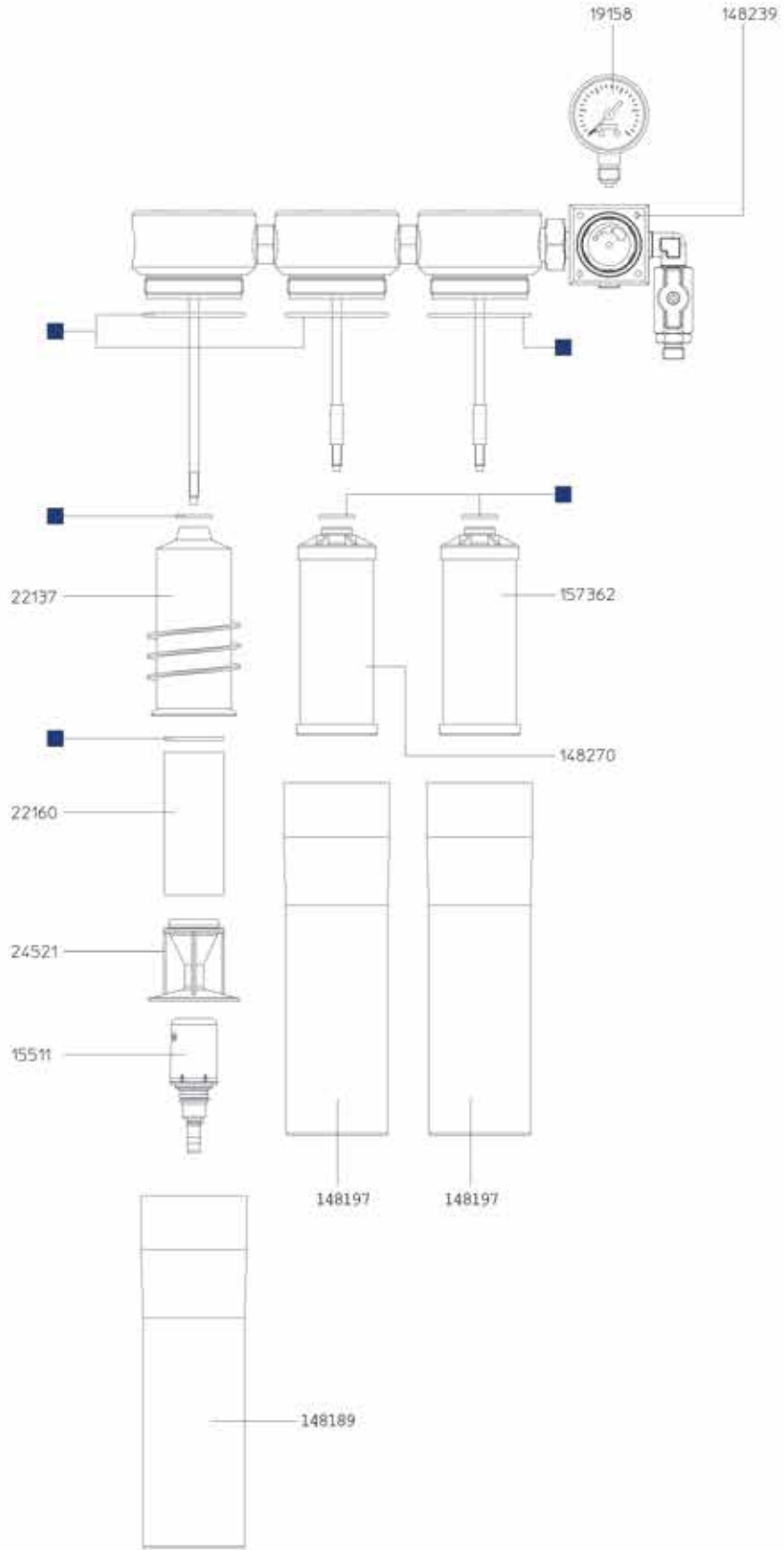
148247

SATA filter 100 prep double-stage sinter filter/fine filter with pressure regulator outlet (1 x 1/4" male thread)



Spare parts
SATA filter 103
prep

| |
|-------------------------------------|
| 148189 |
| Filter housing, drilled and coated |
| 148197 |
| Filter sleeve, processed and coated |
| 148239 |
| Pressure regulation valve |
| 148270 |
| Fine filter cartridge |
| 15511 |
| Automatic condensate drain valve |
| 157362 |
| Activated charcoal cartridge |
| 19158 |
| Pressure gauge 0 - 10 bar, 50 mm |
| 22137 |
| Cyclone separator |
| 22160 |
| Sintered filter |
| 24521 |
| Condensate retainer |



Repair kit

| |
|-------------|
| 148528 |
| Sealing kit |

Accessories for SATA filter series

Filter cartridges

1098054

Service kit for SATA filter series 500: with fine filter and activated charcoal cartridge



214270

SATA six pack with #81810 (packing unit 2 pieces) and #85373 (packing unit 4 pieces) for SATA filter 484



138933

Service kit for filter series 400: with fine filter cartridge and activated charcoal cartridge



1098004

Activated charcoal cartridge for SATA filter series 500



85373

Activated charcoal cartridge for SATA filter series 200, 300 and 400



157362

Activated charcoal cartridge for SATA filter series 100 prep



1097999

Fine filter cartridge for SATA filter series 500



81810

Fine filter cartridge for SATA filter series 200, 300 and 400



148270

Fine filter cartridge for SATA filter series 100 prep



22160

Sintered filter for all SATA filter series



206151

SATA filter timer for sinter filter



Filter Accessories

1114305

Wall-mounted holder for SATA filter 584- special version for installation in existing compressed air line systems



Filter Accessories

1101146
Manifold SATA filter 500



1107269
SATA high-flow coupling, red, female, packaging unit 2 pcs. for SATA filter series 500



158824
Manifold for extension with 2 ball valves for SATA filter series 400



13599
SATA quick coupling G 1/4" (female thread)



10934
Ball tap (Teflon) 1/2" male thread for air inlet SATA filter series 100, 300, 400, 500 and cleaning devices



9878
SATA mini filter 1/4" (male thread)



1101500
SATA filter cover (packing unit 4 pieces) for SATA filter series 500



215053
SATA filter cover (packing unit 4 pieces) for all SATA filter series, except 500



Air quality control

7096
SATA air check set compressed air quality control device for optimum spray air



7666
Diaphragm (packing unit 10 pieces) for SATA air check set

156299
SATA air tester, atomisation air quick tester



1107350
Service chart for the spray booth, A3, German / English for SATA filter series 500



133587
SATA Service Tacho for the paint spray booth, German/English, DIN A3



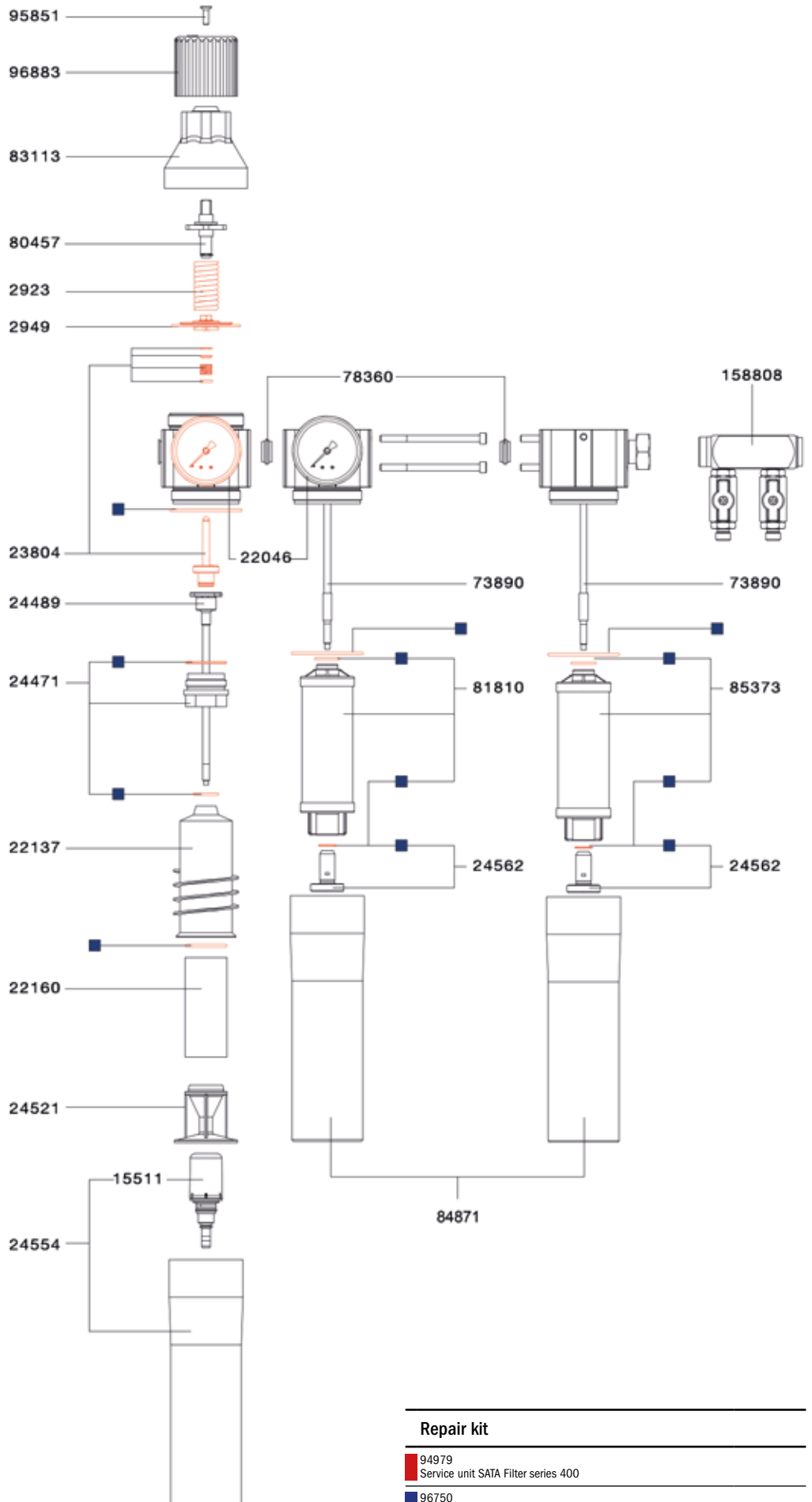
SPRAY GUNS
 CUP SYSTEMS
 BREATHING PROTECTION
 FILTER TECHNOLOGY
 ADDITIONAL PRODUCTS
 MERCHANDISING ITEMS

Spare parts

SATA filter

484/474/444

| |
|---|
| 15511 |
| Automatic condensate drain valve |
| 158808 |
| Manifold 2x 1/4" (male thread) |
| 22046 |
| Pressure gauge 0 - 10 bar, 50 mm |
| 22137 |
| Cyclone separator |
| 22160 |
| Sintered filter |
| 23804 |
| Pressure valve |
| 24471 |
| Plastic nut with 2 O-rings for SATA filter series 300 and 400 |
| 24489 |
| Threaded rod with pressure valve head |
| 24521 |
| Condensate retainer |
| 24554 |
| Filter sleeve with automatic discharge valve |
| 24562 |
| Adapter, cpl. with O-ring |
| 2923 |
| Pressure spring |
| 2949 |
| Diaphragm |
| 73890 |
| Threaded rod |
| 78360 |
| Gasket |
| 80457 |
| Spindle for SATA filter series 400 |
| 81810 |
| Fine filter cartridge |
| 83113 |
| Fixing nut |
| 84871 |
| Filter sleeve |
| 85373 |
| Activated charcoal cartridge |
| 95851 |
| Countersunk screw M 5 x 16 |
| 96883 |
| Pressure adjustment screw |



Repair kit

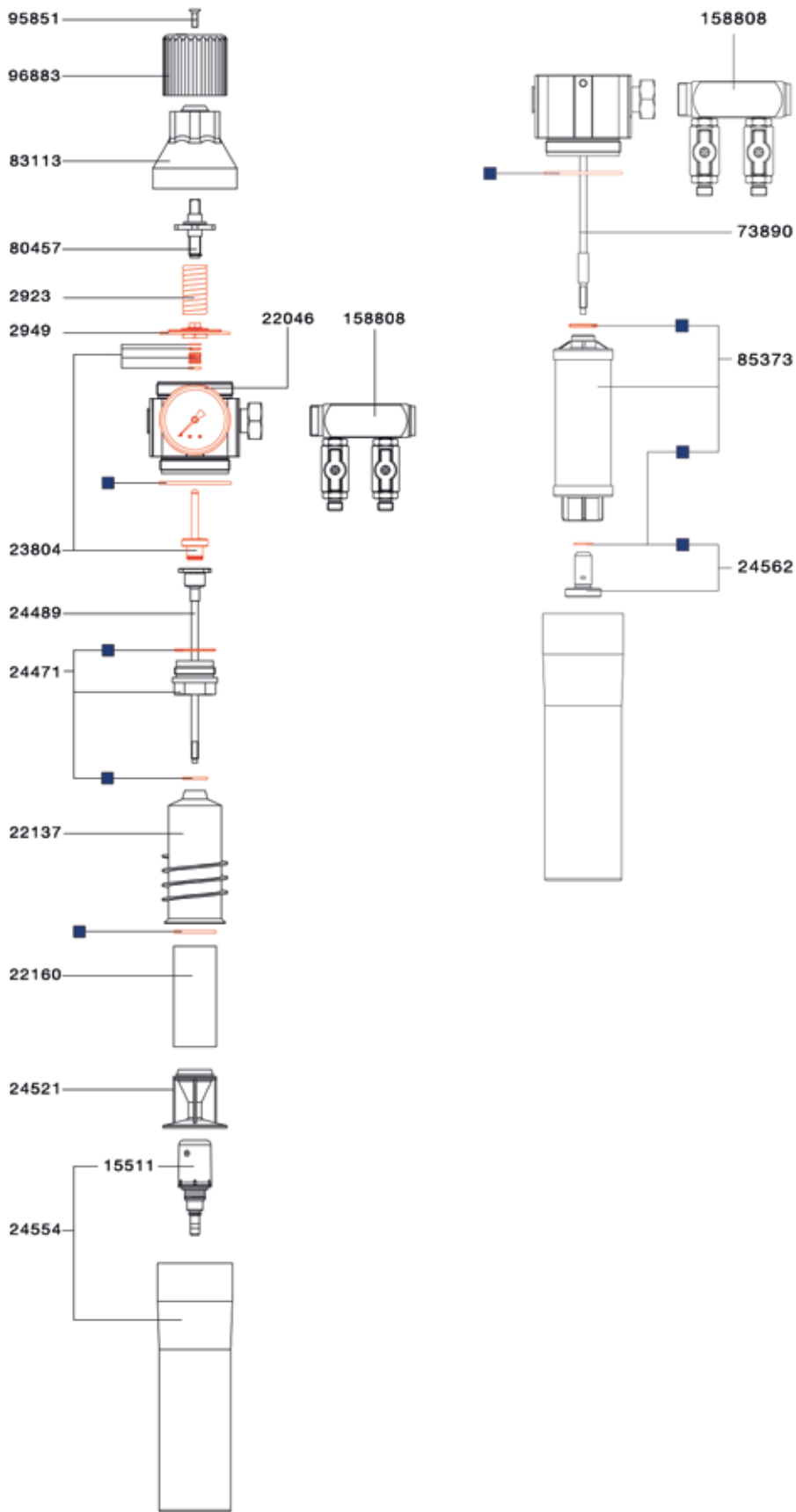
- 94979
Service unit SATA Filter series 400
- 96750
Sealing kit



Spare parts

SATA filter
464/434/
424/414

| |
|---|
| 15511 |
| Automatic condensate drain valve |
| 158808 |
| Manifold 2x 1/4" (male thread) |
| 22046 |
| Pressure gauge 0 - 10 bar, 50 mm |
| 22137 |
| Cyclone separator |
| 22160 |
| Sintered filter |
| 23804 |
| Pressure valve |
| 24471 |
| Plastic nut with 2 O-rings for SATA filter series 300 and 400 |
| 24489 |
| Threaded rod with pressure valve head |
| 24521 |
| Condensate retainer |
| 24554 |
| Filter sleeve with automatic discharge valve |
| 24562 |
| Adapter, cpl. with O-ring |
| 2923 |
| Pressure spring |
| 2949 |
| Diaphragm |
| 73890 |
| Threaded rod |
| 80457 |
| Spindle for SATA filter series 400 |
| 83113 |
| Fixing nut |
| 85373 |
| Activated charcoal cartridge |
| 95851 |
| Countersunk screw M 5 x 16 |
| 96883 |
| Pressure adjustment screw |






Repair kit

- 94979 Service unit SATA Filter series 400
- 96750 Sealing kit





air star F 2.0
EVA
art. no. 1102778
SATA Outlet & Co. KG
Dorrmann, 30
70808 Karlsruhe
Germany

| Additional products | Product description | Product advantages |
|--|--|--|
|  <p>SATA mini Set 2 144</p> | <p>The SATA mini set 2 pressure pot processes materials up to two litres. Due to the double pressure reducer, an optimum pressure of material and atomising compressed air is achieved. The pulsation-free and even material supply enables perfect painting finishes and saves time due to continuous work without interruptions.</p> | <ul style="list-style-type: none"> • Time saving through continuous working without interruption • Unrestricted mobility thanks to the shoulder belt - especially in commercial vehicles as well as when using ladders or scaffolding • For supplying material pressure fed spray guns, such as the SATAjet 3000 K |
|  <p>SATA material pressure tank 10 146</p> | <p>The SATA material pressure tank 10 is a high-quality, robust system for air atomising painting. It can be used with a wide variety of materials – without vapours or gases escaping into the environment. The SATA material pressure tank 10 offers numerous equipment variants – so that the optimum system can be configured for every project.</p> | <ul style="list-style-type: none"> • Universal: The SATA material pressure tank 10 can be combined with all material-fed SATA spray guns • Robust material pressure tank made of stainless steel • Versatile use with paints, architectural coatings, dispersions, adhesives and release agents • Numerous versions thanks to extensive range of equipment and accessories • Suitable for materials of fluid groups 1 and 2 • Up to 6 bar material pressure in the tank, useful capacity approx. 9 litres |
|  <p>SATA material pressure tank 22 148</p> | <p>The robust stainless steel material pressure tank is suitable for pulsation-free processing of different materials without vapours or gases escaping into the environment. It is available in numerous versions and with a wide range of accessories – different coating tasks.</p> | <ul style="list-style-type: none"> • Universal: the SATA material pressure tank 22 can be combined with all material-fed SATA spray guns • Versatile use with materials of fluid groups 1 and 2 – from paint, architectural coatings and dispersions to adhesives and release agents • Individual special solutions due to large range of accessories: double pressure reducer, manual, compressed air or electric agitator, wheels, connection for a second spray gun and much more • Suitable for materials of fluid groups 1 and 2 • Also available with material outlet at the bottom for high viscosity material • Up to 6 bar material pressure in the tank, useful capacity approx. 19.5 litres |
|  <p>SATA material pressure tank 45 150</p> | <p>The solution for major projects: The SATA material pressure tank 45 is recommended for the pulsation-free processing of various materials in quantities of up to 45 litres. With the comprehensive range of versions and accessories, the right configuration can be found for every application.</p> | <ul style="list-style-type: none"> • Universal: the SATA material pressure tank 45 can be combined with all material-fed SATA paint spray guns • Versatile use with materials of fluid groups 1 and 2 – from paint, architectural coatings and dispersions to adhesives and release agents • Individual special solutions due to large range of accessories: double pressure reducer, manual, compressed air or electric agitator, wheels, connection for a second spray gun and much more • Suitable for materials of fluid groups 1 and 2 • Up to 6 bar material pressure in the tank, useful capacity approx. 42.5 litres |

SPRAY GUNS
 CUP SYSTEMS
 BREATHING PROTECTION
 FILTER TECHNOLOGY
 ADDITIONAL PRODUCTS
 MERCHANDISING ITEMS

| Additional products | Product description | Product advantages |
|--|--|---|
|  <p>SATA vario top spray 152</p> | <p>The high-performance double diaphragm pump SATA vario top spray is the perfect system for continuous application of larger material amounts. The SATA vario top spray is a real problem solver in vehicle and industrial painting, in machine construction, as well as in wood and furniture painting. All solvent-based paint systems of the most varied viscosities and structures, but also water-based paints, can be processed without problems.</p> | <ul style="list-style-type: none"> • Efficient - continuous operation and high area output • Versatile - finest atomisation of pre- and topcoats with proven and high-quality SATA paint spray guns • Variable - modular device design for optimum adaptation to any task • High performance and low wear - through proven double diaphragm technology • Robust stainless steel design for water-based paint systems |
|  <p>Rustproofing equipment 156</p> | <p>High-performance equipment for the application of different materials for cavity preservation and underbody protection. The SATA HRS pressurised cup spray gun for cavity preservation uses compressed air atomising technology. Particularly in the case of cavity preservation, many years of experience have shown that air-atomising overpressure systems are ideally suited to transport preservation waxes evenly and finely atomized into every corner of the cavity. In the field of corrosion protection, a wide range of cavity wands and nozzles is available for the application of standardised as well as VOC-compliant, high-solids wax materials.</p> | <ul style="list-style-type: none"> • Efficient application of rust-proofing wax in vehicle cavities • Possibility of using different wand systems for cavity preservation and underbody protection • Low wear, low maintenance, sturdy bodyshop version • For all purposes – also for the application of large surfaces with special wand and nozzle systems • Easy coupling system for quick wand exchange |
|  <p>SATA clean RCS 160</p> | <p>The SATA clean RCS is a compressed air operated cleaning system for the intermediate cleaning of the spray guns. SATA clean RCS – the turbo cleaner in the spray booth allows one or more colour changes in succession with extremely short cleaning interruptions, saving additional working distances and increasing productivity and efficiency.</p> | <ul style="list-style-type: none"> • Quick and safe colour changes when using multi-purpose cups (such as SATA RPS) - even with critical colour changes, e.g. black and white • No need to disconnect the spray gun or adjust the inlet pressure - automatic pressure adjustment when switching between "spraying" and "cleaning" • Increased efficiency - through optimized work processes and booth utilization • Thorough - Cleaning the material passage and the air nozzle • Universal - suitable for water- and solvent-based coating systems |
|  <p>SATA multi clean 2 163</p> | <p>Paint spray guns should be thoroughly cleaned at least once a day and rinsed after each painting job. This can be done gently, conveniently and economically with the SATA multi clean 2 – the powerful automatic washing machine with hand washing place and extraction unit.</p> | <ul style="list-style-type: none"> • Brush soaked in cleaning agent for manual cleaning • Low-pressure air connection to prevent cleaning solution from penetrating the air passages of the spray gun during the cleaning and rinsing process. • Powerful, pneumatically operated double diaphragm pump – robust and low-wear • Two separate storage containers for the cleaning and rinsing cycle • Only 0.2 l of fresh cleaning solution needed for each cleaning cycle – fresh cleaning solution is only required for the rinsing process • Replaceable filter mat (Art. No. 38042) to absorb coarse residues • Automatic fume extraction system protects the painter from harmful vapours whilst the lid of the cleaning chamber is open |

| Additional products | Product description | Product advantages |
|--|--|---|
|  <p>SATA trueSun 164</p> | <p>The SATA trueSun daylight solution has a wide colour spectrum and reproduces colour tones true to original: The even light distribution over the illuminated surface reliably helps bodyshops to find the right colour and to avoid wrong decisions and thus extra work. The continuously adjustable light intensity remains constant over the entire battery life.</p> | <ul style="list-style-type: none"> • Almost like daylight - best possible colour reproduction and visibility of effect pigments • Uniform light distribution - across the entire light cone • Strong and fast-charging battery - approx. 70 minutes operating time at full light intensity and full charging cycle in approx. 50 minutes • Constant light intensity – independent of the battery charge state • Infinitely adjustable light intensity • Easily detect painting defects such as cloudiness |
|  <p>SATA dry jet 2 166</p> | <p>With the SATA dry jet 2 dry blow gun, you can significantly shorten the flash-off and thus the cabin occupancy times. It uses the so-called Venturi principle. In addition to the supplied compressed air, a multiple of ambient air is sucked in. The uniform, wide air flow generated in the injector zone of the wide spray nozzle also contributes to a reduction in flash-off time. Thus, the SATA dry jet 2 achieves an approx. 15 % higher drying performance compared to commercially available models.</p> | <ul style="list-style-type: none"> • Shorter drying times with water-based paint systems • Low investment costs • Practical product versions • Integrated air regulation • Disposable sieve from the RPS multi-purpose cup system • Ergonomic handle • Easy handling • Long lifetime and low-maintenance |

SATA mini Set 2

| | |
|----------------------------|--------------------|
| Technical Data | 2 l |
| Air connection thread | 1/4" (male thread) |
| Material connection thread | 1/4" (male thread) |
| Max. operating pressure | 2,5 bar |
| Material container | Aluminium |
| Material lid | Aluminium |
| Material suction tube | Brass |
| Fluid group | 2 |



Available versions

120840

SATA mini set 2 pressure pot 2 ltr. single pressure reducer



57232

SATA mini set 2, paint pressure pot 2.0 l; double pressure reducer

56408

SATA Mini Set 2 with SATAjet 3000 K RP 1.1, paint pipe, material filter 60 msh, hose pair 1.5 m



83444

SATA Mini Set 2 with SATAjet 3000 K HVLP 1.2, paint pipe, material filter 60 msh, hose pair 1.5 m

Accessories for SATA mini set 2

5868

Shoulder strap for SATA mini set and SATA mini set 2

19869

SATA hose pair 9 x 9 mm, 1.5 m, G 3/8" and G 1/4" (material), G 1/4" (air) (female thread) for SATA mini set 2

SATA release agent application system

187740

Separating agent spray system, consisting of pressure tank 2 l, DPR (double pressure reducer), SATAminijet 1000 K RP 0.3, hose pair 3 m, complete



187450

SATAminijet 1000 K RP nozzle 0.3 material connection 1/4" (male thread)

187690

SATA paint strainer 60 msh, 1/4" (male thread) for SATAminijet 1000 K

187708

SATA hose pair 6 x 6 mm, 3 m, G 1/4" (female thread) (material and air) for SATA mini set 2

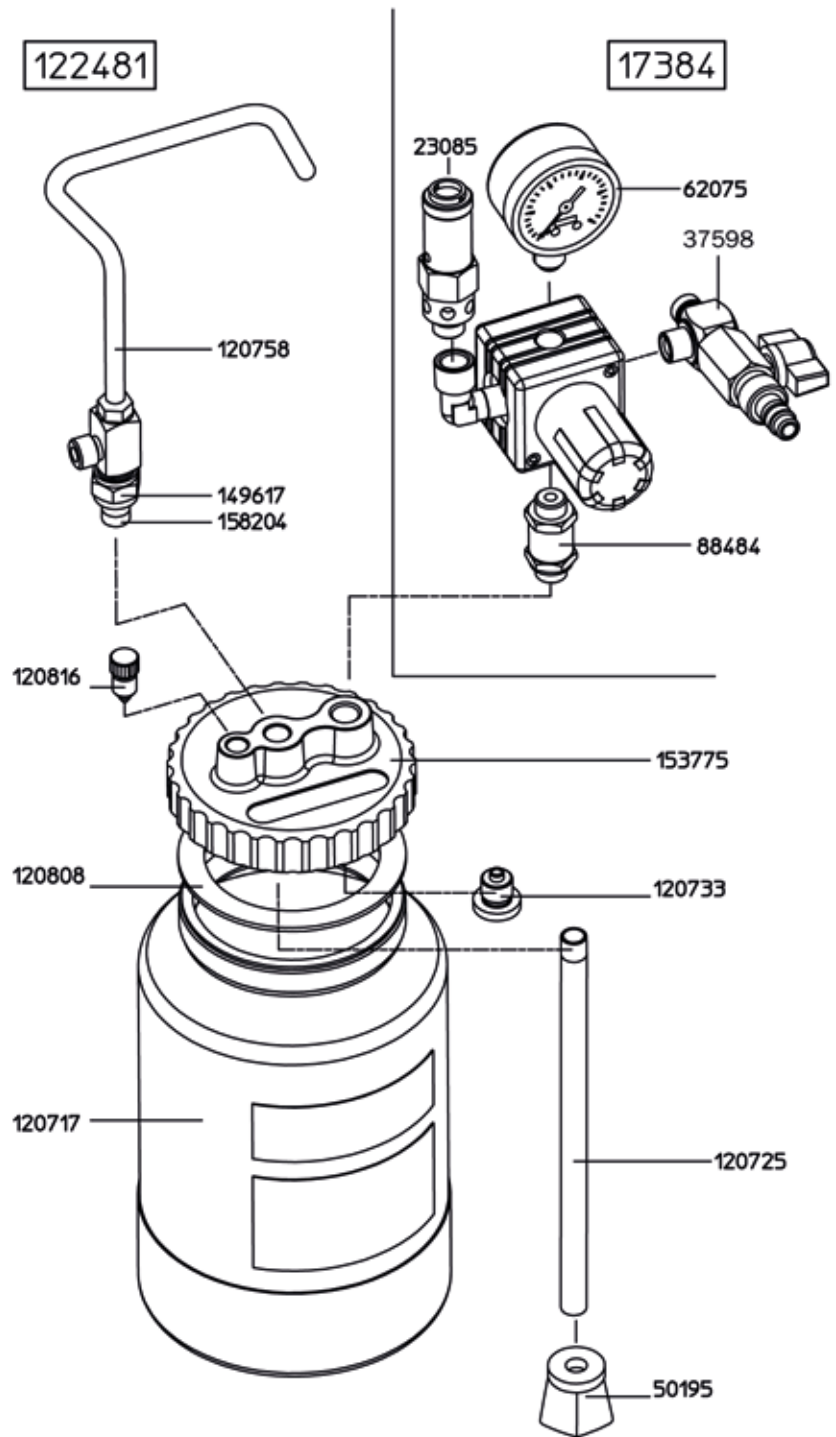
187419

SATA paint tube G 1/4 female thread - 1/4" male thread for SATAminijet 1000 K

*The processing of coating materials in fluid group 1 is not allowed.

Spare parts
SATA mini Set 2






| | |
|--------|--|
| 120717 | 2,0 l pressure pot, w/o lid |
| 120725 | Suction pipe |
| 120733 | Closing screw (packing unit 2 pieces) |
| 120758 | Handle, cpl. |
| 120808 | Sealing ring (packing unit 4 pieces) |
| 120816 | Pressure release screw (packing unit 2 pieces) |
| 122481 | 2,0 l pressure pot, cpl. with handle, w/o controls and instruments |
| 149617 | Sleeve nut for handle SATA mini set 2 |
| 153775 | Screw-on lid for mini set 2 |
| 158204 | Connection nipple |
| 17384 | Pressure regulator with gauge 0-4 bar, safety valve 2.5 bar |
| 20677 | Set of wear-and-tear parts for pressure regulation valve |
| 23085 | Safety and drain valve 2.5 bar for MINI-SET 2 litres, G 1/4 |
| 37598 | Ball tap (Teflon), 1/4" (male thread) |
| 50195 | Strainer (packing unit 2 pieces) |
| 62075 | Pressure gauge 0 - 4 bar, 50 mm, red marking at 2.5 bar |
| 88484 | One-Way valve |



SATA material pressure tank 10



| | |
|----------------------------|-------------------------|
| Technical Data | 10 l |
| Air connection thread | 1/4" (male thread) |
| Material connection thread | 1/2" (male thread) |
| Max. operating pressure | 6,0 bar |
| Material container | Stainless steel version |
| Material lid | Stainless steel version |
| Material suction tube | Stainless steel version |
| Fluid group | 1 |

| MPT 10 | Consisting of: | | | |
|--|--|--|---|--|
|  |  |  |  |  |
| | Single pressure reducer | Double pressure reducer | Hand agitator | Compressed air agitator with gear drive |
| 1182740 | X | | | |
| 1182815 | | X | | |
| 1182823 | X | | X | |
| 1182831 | | X | X | |
| 1182849 | X | | | X |
| 1182906 | | X | | X |

Accessories

1183904
Liner, made of plastic material, electrically conductive, 5 pieces for SATA MPT 10



1183889
Insert bucket, stainless steel for SATA MPT 10

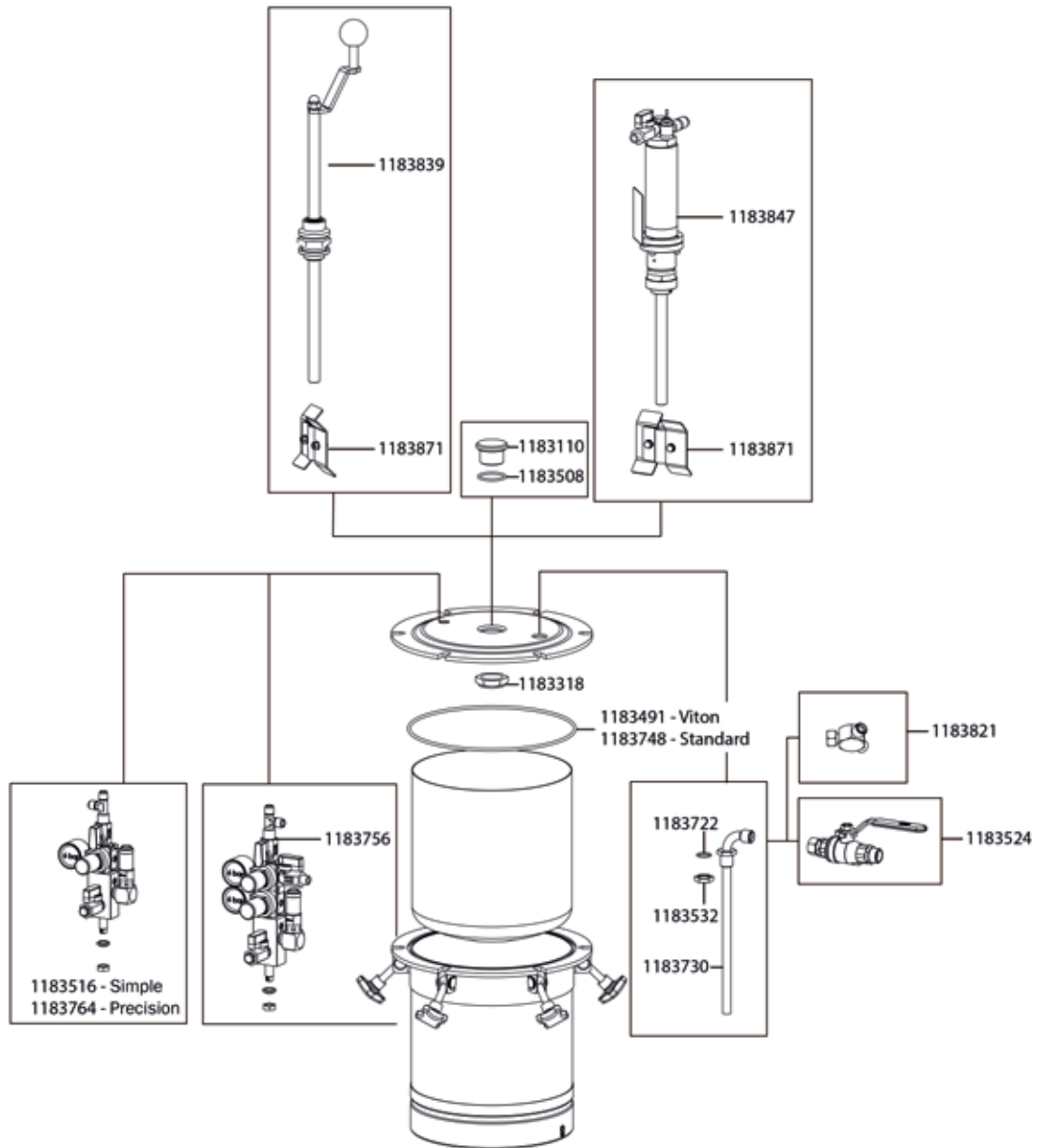


1183855
Electric agitator with gearing, protected against explosion hazard for SATA MPT 10

CUP SYSTEMS
BREATHING PROTECTION
FILTER TECHNOLOGY
ADDITIONAL PRODUCTS
MERCHANDISING ITEMS

Spare parts
SATA material
pressure tank 10



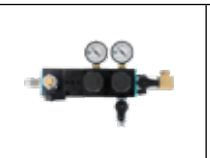



| |
|--|
| 1183110 |
| Intake closure, nominal width 55, stainless steel version |
| 1183318 |
| Counter nut for blind plug , stainless steel |
| 1183491 |
| Lid seal |
| 1183508 |
| O-ring for agitator drilling |
| 1183516 |
| Compressed air inlet fitting, single regulation complete, for tank pressure: 6.0 bar, tee with ball tap 1/4" |
| 1183524 |
| Material extraction ball tap, complete G 1/2" (male thread) DN5 stainless steel |
| 1183532 |
| Counter nut for ascending pipe M18x1.5 |
| 1183722 |
| O-ring for counter nut |
| 1183730 |
| Ascending pipe |
| 1183748 |
| Lid seal |
| 1183756 |
| Compressed air inlet fitting complete with second control |
| 1183764 |
| Compressed air inlet fitting complete with precision regulator |
| 1183821 |
| Material distribution block, stainless steel, for connecting 2 material extraction taps |
| 1183839 |
| Manual agitator |
| 1183847 |
| Pneumatic agitator with gearing, oil-free and protected against explosion hazard |
| 1183871 |
| Agitator blade, stainless steel, for shaft diameter 16 mm, Ø 88 mm |




SATA material pressure tank 22



| | |
|----------------------------|-------------------------|
| Technical Data | 22 l |
| Air connection thread | 1/4" (male thread) |
| Material connection thread | 1/2" (male thread) |
| Max. operating pressure | 6,0 bar |
| Material container | Stainless steel version |
| Material lid | Stainless steel version |
| Material suction tube | Stainless steel version |
| Fluid group | 1 |

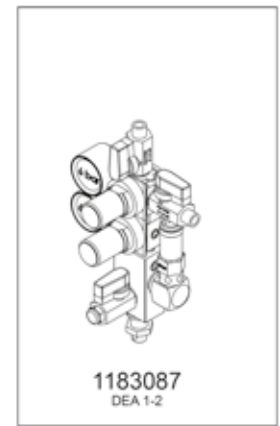
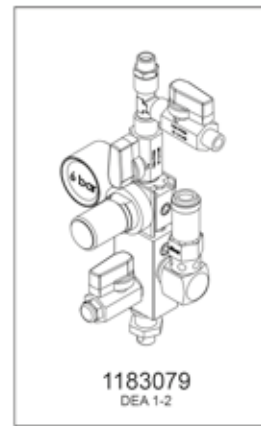
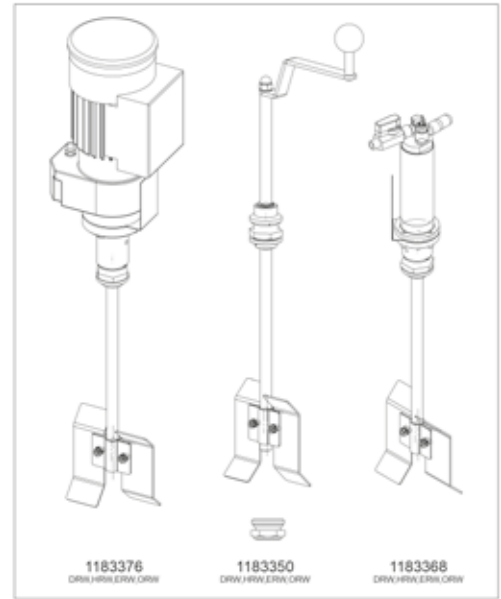
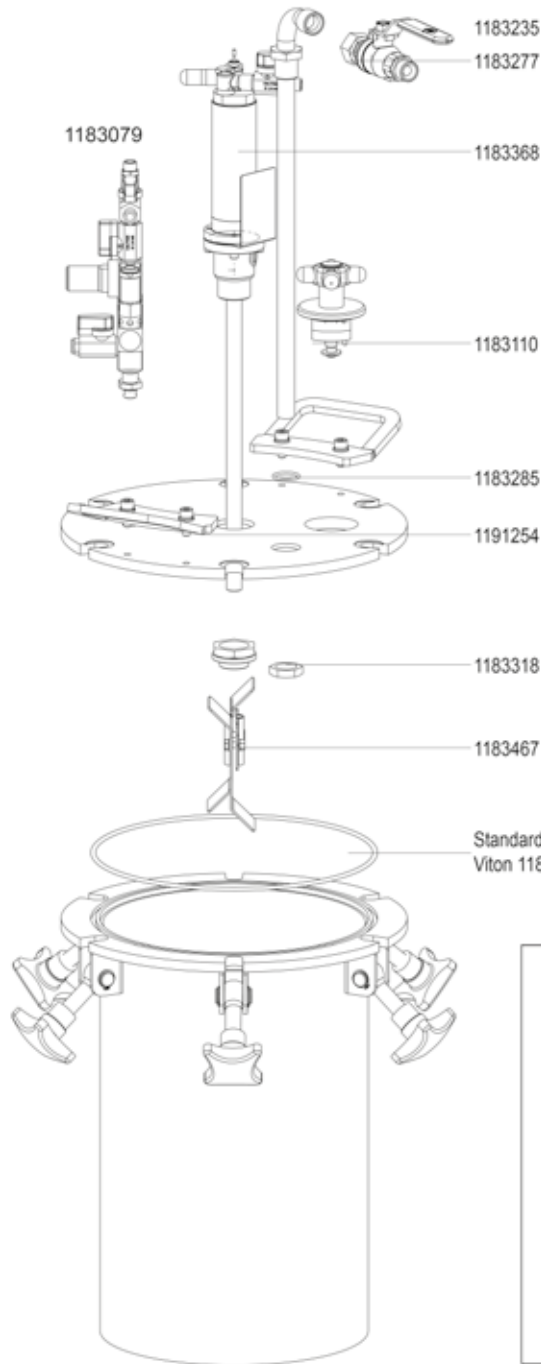
| MPT 22 | Consisting of: | | | | |
|--|--|--|--|---|--|
|  |  |  |  |  |  |
| | Single pressure reducer | Double pressure reducer | Hand agitator | Compressed air agitator with gear drive | Motor driven agitator with gear drive |
| 1182914 | X | | | | |
| 1182922 | | X | | | |
| 1182930 | X | | X | | |
| 1182948 | | X | X | | |
| 1182956 | X | | | X | |
| 1182964 | | X | | X | |
| 1182972 | X | | | | X |
| 1182980 | | X | | | X |

| Accessories | |
|---|---|
| 1183425 Parts kit for undercarriage for SATA MPT 22 and 45 |  |
| 1183441 Insert bucket, stainless steel for SATA MPT 22 |  |

SPRAY GUNS
 CUP SYSTEMS
 BREATHING PROTECTION
 FILTER TECHNOLOGY
 ADDITIONAL PRODUCTS
 MERCHANDISING ITEMS

Spare parts
SATA material
pressure tank 22

| | |
|---------|--|
| 1183079 | Compressed air inlet fitting, single regulator complete with tee and ball valve 1/4" |
| 1183087 | Compressed air inlet fitting with second regulator, container connection made of stainless steel |
| 1183095 | Compressed air inlet fitting with pressure regulator, container connection made of stainless steel, air inlet including tee with ball valve 1/4" |
| 1183102 | Material distribution block, stainless steel, for connecting 2 material extraction valves |
| 1183110 | Intake closure, nominal width 55, stainless steel version |
| 1183128 | O-ring for intake closure |
| 1183136 | Lid seal, standard |
| 1183144 | Lid seal, Viton, |
| 1183152 | O-ring for blind plug |
| 1183235 | Ascending pipe |
| 1183269 | Counter nut for ascending pipe, stainless steel |
| 1183277 | Material extraction ball valve, complete, G 1/2" male thread |
| 1183285 | O-ring for ascending pipe |
| 1183293 | Blind plug for lid, stainless steel |
| 1183300 | O-ring for blind plug |
| 1183318 | Counter nut for blind plug, stainless steel |
| 1183326 | Parts kit for bottom material outlet, G 1" (female thread) |
| 1183342 | Ball tap for bottom material outlet G 1" (female thread) |
| 1183350 | Manual agitator |
| 1183368 | Pneumatic agitator with gearing, oil-free and protected against explosion hazard |
| 1183376 | Electric agitator with gearing, protected against explosion hazard |
| 1183467 | Agitator blade, stainless steel, Ø 125 mm |
| 1191254 | Individual handle |



All prices are recommended list prices. Errors, technical modifications and printing errors reserved.

SPRAY GUNS

CUP SYSTEMS

BREATHING PROTECTION

FILTER TECHNOLOGY





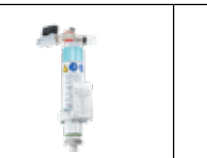
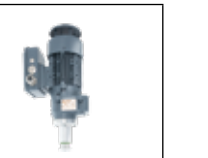
ADDITIONAL PRODUCTS

MERCHANDISING ITEMS

SATA material pressure tank 45



| | |
|----------------------------|-------------------------|
| Technical Data | 45 l |
| Air connection thread | 1/4" (male thread) |
| Material connection thread | 1/2" (male thread) |
| Max. operating pressure | 6,0 bar |
| Material container | Stainless steel version |
| Material lid | Stainless steel version |
| Material suction tube | Stainless steel version |
| Fluid group | 1 |

| MPT 45 | Consisting of: | | | | |
|--|--|--|--|---|--|
|  |  |  |  |  |  |
| | Single pressure reducer | Double pressure reducer | Hand agitator | Compressed air agitator with gear drive | Motor driven agitator with gear drive |
| 1182998 | X | | | | |
| 1183003 | | X | | | |
| 1183011 | X | | X | | |
| 1183029 | | X | X | | |
| 1183037 | X | | | X | |
| 1183045 | | X | | X | |
| 1183053 | X | | | | X |
| 1183061 | | X | | | X |

Accessories

1183425
Parts kit for undercarriage for SATA MPT 22 and 45



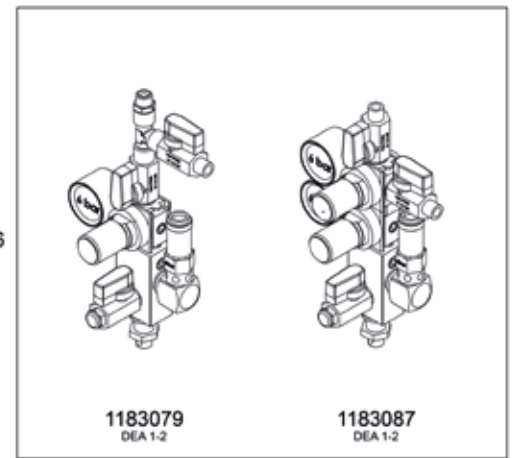
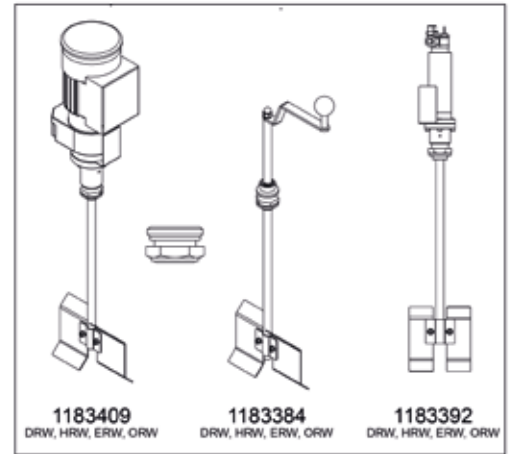
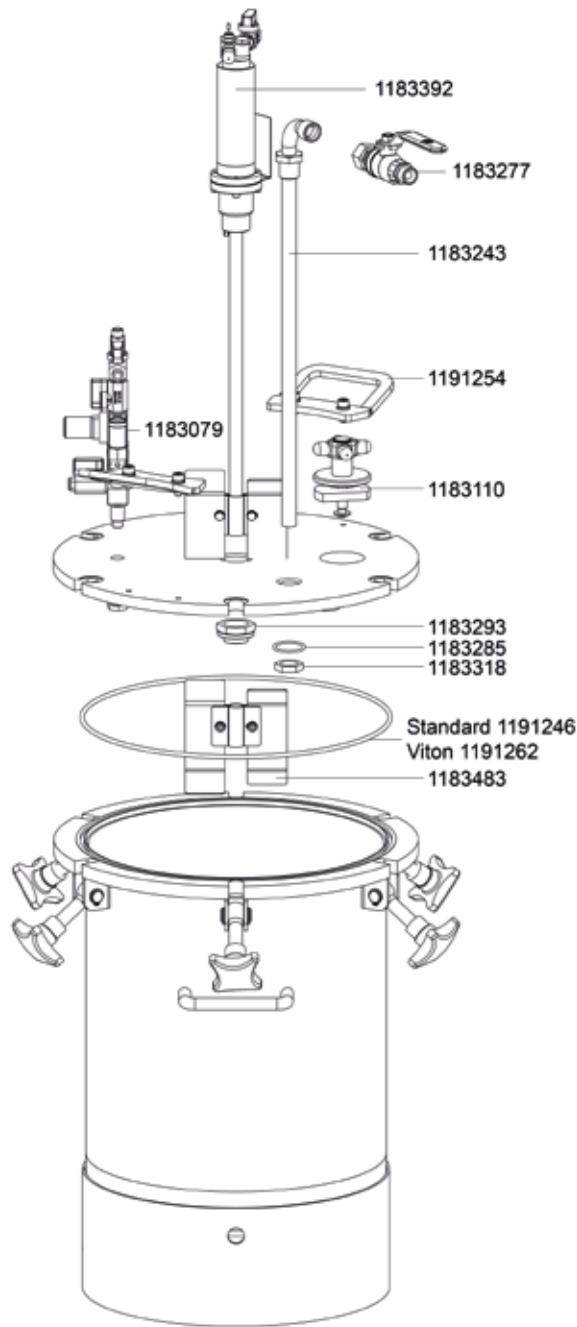
1183459
Insert bucket, stainless steel for SATA MPT 45



SPRAY GUNS
 CUP SYSTEMS
 BREATHING PROTECTION
 FILTER TECHNOLOGY
 ADDITIONAL PRODUCTS
 MERCHANDISING ITEMS

Spare parts
SATA material
pressure tank 45

| | |
|---------|--|
| 1183079 | Compressed air inlet fitting, single regulator complete with tee and ball valve 1/4" |
| 1183087 | Compressed air inlet fitting with second regulator, container connection made of stainless steel |
| 1183095 | Compressed air inlet fitting with pressure regulator, container connection made of stainless steel, air inlet including tee with ball valve 1/4" |
| 1183102 | Material distribution block, stainless steel, for connecting 2 material extraction valves |
| 1183110 | Intake closure, nominal width 55, stainless steel version |
| 1183128 | O-ring for intake closure |
| 1183152 | O-ring for blind plug |
| 1183243 | Ascending pipe |
| 1183269 | Counter nut for ascending pipe, stainless steel |
| 1183285 | O-ring for ascending pipe |
| 1183293 | Blind plug for lid, stainless steel |
| 1183300 | O-ring for blind plug |
| 1183318 | Counter nut for blind plug, stainless steel |
| 1183334 | Elbow fitting, drain pipe, for bottom material outlet MDB 45 G 1" (female thread) |
| 1183342 | Ball tap for bottom material outlet G 1" (female thread) |
| 1183384 | Manual agitator |
| 1183392 | Pneumatic agitator with gearing, oil-free and protected against explosion hazard |
| 1183409 | Electric agitator with gearing, protected against explosion hazard |
| 1183483 | Agitator blade, stainless steel, Ø 186 mm |
| 1191246 | Lid seal |
| 1191254 | Individual handle |
| 1191262 | Lid seal, Viton |



SPRAY GUNS

CUP SYSTEMS

BREATHING PROTECTION

FILTER TECHNOLOGY



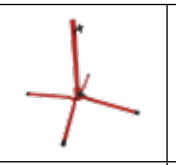
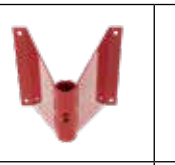
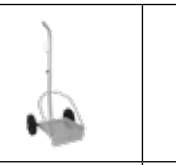
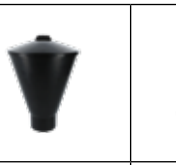

ADDITIONAL PRODUCTS


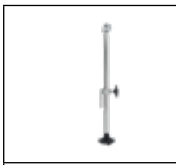
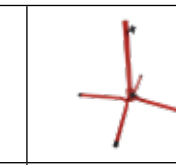
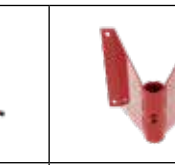
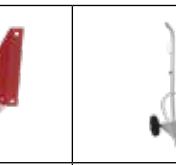

MERCHANDISING ITEMS

SATA vario top spray

| Technical Data | SATA vario top spray |
|-----------------------------------|----------------------|
| Max. material outlet pressure | 8,0 bar |
| Pump ratio | 1:1 |
| Max. volumetric delivery | 32 l/min |
| Conveyed volume per double stroke | 170 cm ³ |
| Min. air inlet pressure | 1,0 bar |
| Max. inlet air pressure | 8,0 bar |
| Weight | 6 kg; 12 kg |



| Available versions | Consisting of: | | | | | |
|--|--|--|--|---|--|--|
|  |  |  |  |  |  |  |
| | Suction tube | Stand | Wall holder | Trolley | Gravity flow container | Second gun connection |
| 81661 | X | X | | | | |
| 61507 | X | | X | | | |
| 61515 | X | | | X | | |
| 138941 | | | | X | X | |
| 62745 | X | | | X | X | |
| 63974 | X | | | X | | X |

| Versions – pump and material passages made of stainless steel | Consisting of: | | | | |
|---|---|---|---|--|---|
|  |  |  |  |  |  |
| | Suction tube | Stand | Wall holder | Trolley | Gravity flow container |
| 81406 | X | X | | | |
| 72678 | X | | X | | |
| 72694 | X | | | X | |
| 138958 | | | | X | X |
| 95109 | X | | | X | X |

Spare parts

SATA vario top spray

| | |
|--------|--|
| 149716 | Gravity flow cup 6 l with lid |
| 149732 | Container stud |
| 149740 | Gasket for gravity container |
| 149948 | Flat sieve 20 mesh (packing unit 2 pieces) |
| 156026 | Pressure gauge 0 - 6 bar, 50 mm, G 1/4 |
| 17483 | Trolley, cpl. |
| 19158 | Pressure gauge 0 - 10 bar, 50 mm |
| 19851 | Sieve hose (packing unit 10 pieces) |
| 23986 | Air connection for second spray gun, cpl. |
| 24240 | Single pressure regulator, cpl. with pressure gauge 0 - 10 bar |
| 29918 | Circlip for suction globe Spray-Mix, Vario-Top-Spray and Multi-Top |
| 74187 | Suction globe, cpl. version for waterborne materials |
| 81604 | Wing-shaped handle for stand, SATA pumps and dry-jet |
| 82107 | Double pressure reducer, cpl. with pressure gauge 0 - 10 bar |

| | |
|-------|--|
| 57570 | Material connection for second spray gun, stainless steel, cpl. for material fine pressure regulator |
| 74203 | Suction pipe, cpl. stainless steel |
| 74211 | Conversion kit for gravity flow container SATA VARIO top-spray, f. water borne paints |
| 80879 | Suction pipe, cpl. stainless steel |
| 82941 | Double nipple 1/2" male thread, stainless steel |
| 88641 | Double diaphragm pump 1:1, stainless steel, material connection M 25 x 1.5 male thread, air inlet 1/4" (male thread), with grounding cable |

Standard version

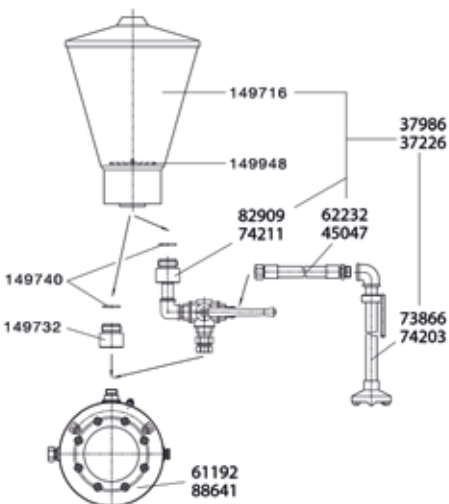
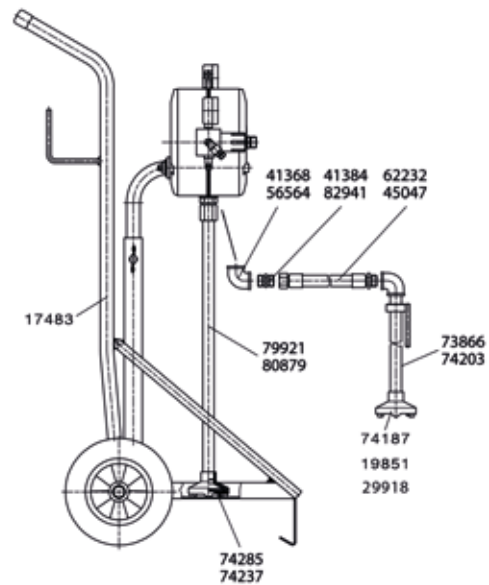
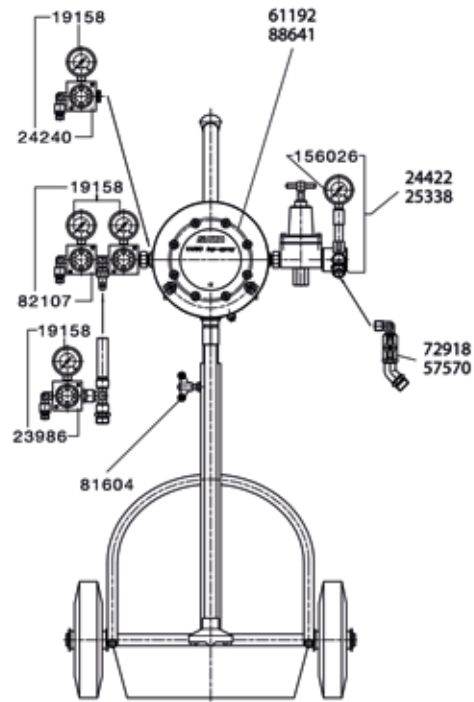
SATA vario top spray

| | |
|-------|---|
| 24422 | Material fine pressure regulator, cpl. |
| 37986 | Add-on kit gravity container PVC 6 l, cpl. with 3-way ball valve and holder |
| 41368 | Angle G 1/2" (female thread), galvanised |
| 41384 | Threaded nipple 1/2" (male thread), galvanised |
| 61192 | Double diaphragm pump 1:1, coated version, material connection M 25 x 1.5, male thread, air inlet 1/4" (male thread), grounding cable |
| 62232 | Suction hose, cpl. |
| 72918 | Material connection for second spray gun, cpl. for material fine pressure regulator |
| 73866 | Suction pipe, cpl. with suction globe and sieve insert |
| 74237 | Sieve unit, mesh size 0.5, f. SATA VARIO top-spray, f. water borne paints |
| 74245 | Sieve unit, mesh size 1.0, f. SATA VARIO top-spray, f. water borne paints |
| 79921 | Suction pipe, cpl. with suction globe and sieve insert |
| 82909 | Conversion set for gravity container SATA Top-Spray |

Stainless steel version

SATA vario top spray

| | |
|-------|--|
| 25338 | Material fine pressure regulator, cpl., stainless steel |
| 37226 | Add-on kit gravity container PVC 6 l version for waterborne paint, cpl. with 3-way ball valve and holder |
| 45047 | Suction hose, cpl., connections stainless steel |
| 56564 | Angle 90°, stainless steel |



All prices are recommended list prices. Errors, technical modifications and printing errors reserved.

SPRAY GUNS

CUP SYSTEMS

BREATHING PROTECTION

FILTER TECHNOLOGY

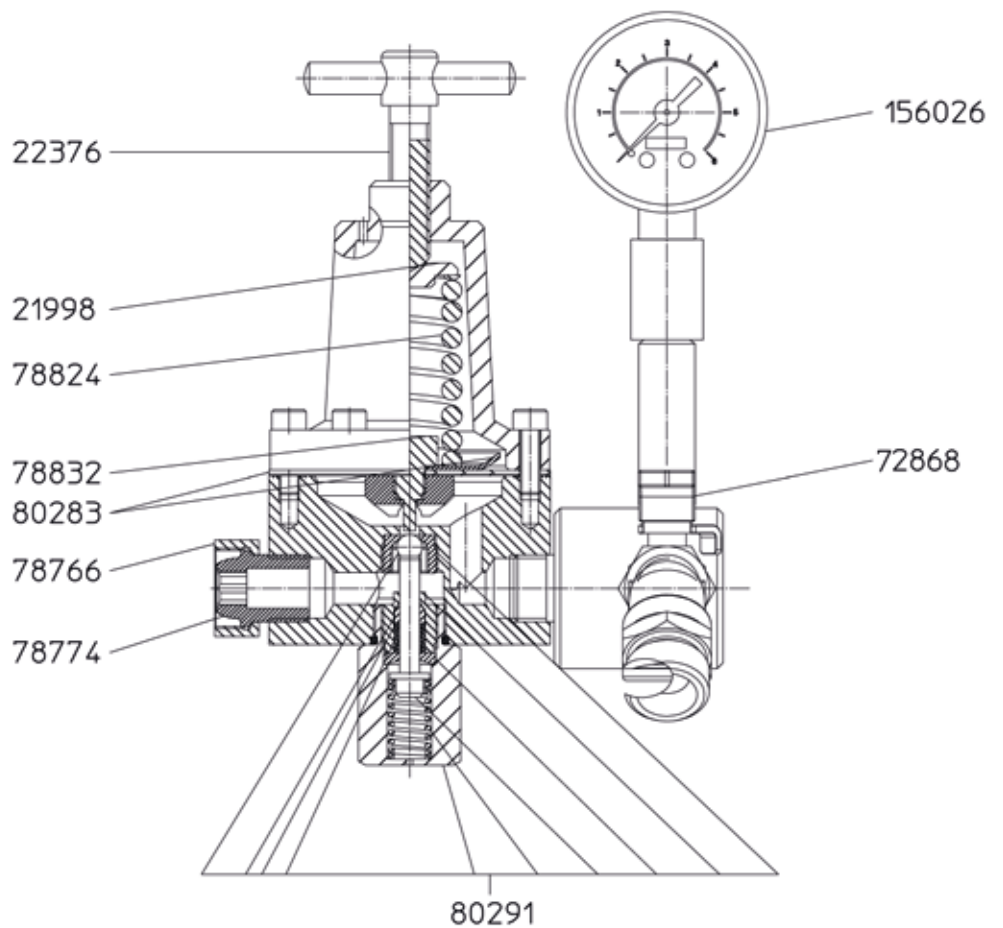
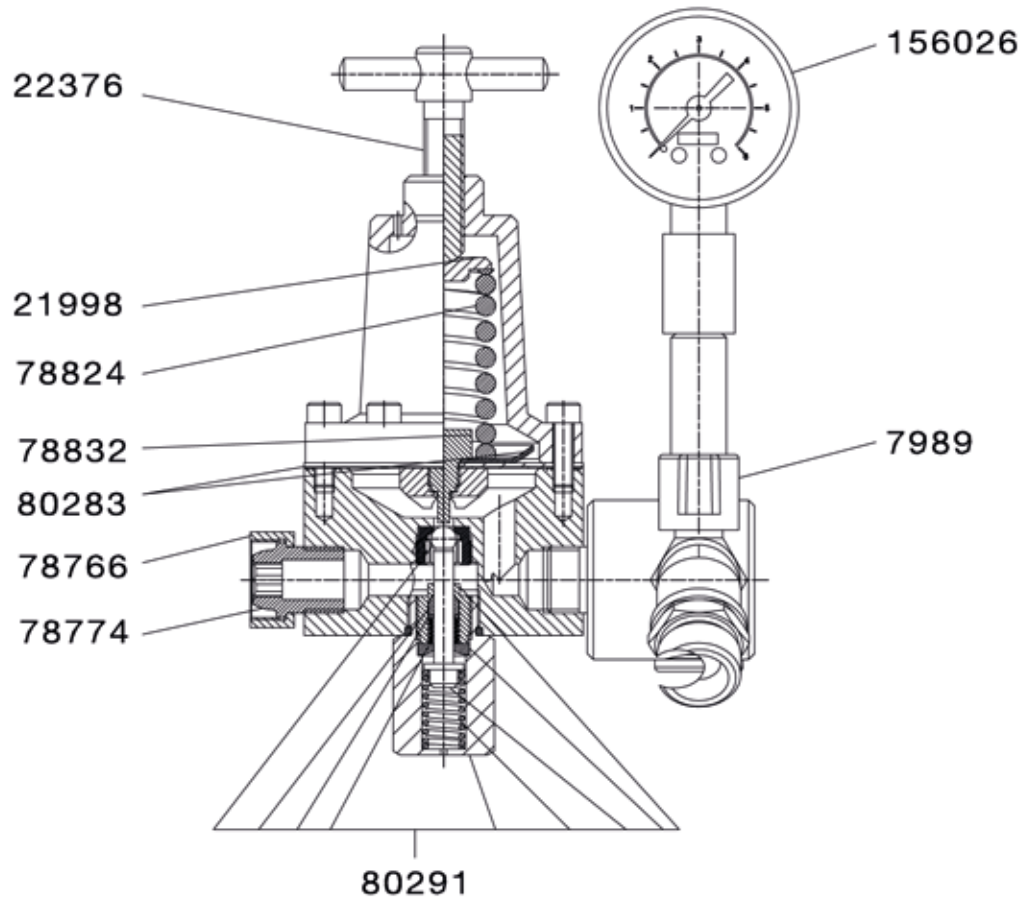
ADDITIONAL PRODUCTS

MERCHANDISING ITEMS

Spare parts

**Material fine pres-
sure regulator**

| |
|---|
| 149740 |
| Gasket for gravity container |
| 149948 |
| Flat sieve 20 mesh (packing unit 2 pieces) |
| 156026 |
| Pressure gauge 0 – 6 bar, 50 mm, G 1/4 |
| 21998 |
| Pressure plate |
| 22376 |
| Compression screw |
| 29918 |
| Circlip for suction globe Spray-Mix, Vario-Top-Spray and Multi-Top |
| 78766 |
| Sleeve nut for ball valve |
| 78774 |
| Insert part for material fine pressure regulator SATA vario top spray |
| 78824 |
| Pressure spring for material fine pressure regulator SATA vario top spray |
| 78832 |
| Tappet for material fine pressure reducer Vario-Top-Spray |
| 7989 |
| Ball tap (Teflon) G 3/8" (female thread) |
| 80283 |
| Diaphragm |
| 80291 |
| Plunger kit, cpl., |



Rustproofing equipment

SATA HRS

24018

SATA HRS complete pressurised cup gun with 1.0 l cup (max. 10 bar), without material flow control with nylon wand 16105 and hook wand 24372



9795

SATA HRS pressurised cup gun with 1.0 l cup (max. 10 bar), without material flow control, flexible nylon and hook wand (16113 and 16139) as well as fix door wand (16071)

12658

SATA HRS pressurised cup gun with 1.0 l cup (max. 10 bar), material flow control, without wands

11072

SATA HRS pressurised cup gun with 1.0 l cup (max. 10 bar), without material flow control, without wands

SATA HRS E

172882

SATA HRS-E pressurised cup spray gun with 1.5 l cup (max. 10 bar), for cavity preservation and underbody protection from disposable containers, with material flow control, round spray nozzle 25486, hook wand 16139 and nylon wand 11874



207290

SATA HRS E pressurised cup spray gun with 1.5 l cup (max. 10 bar) for cavity preservation and underbody protection from disposable containers, with material flow control, hook wand 16139 and nylon wand 16113 as well as round spray nozzle

77347

SATA HRS-E with 1.5 l pressurized cup (max. 10 bar), with material flow control, without wands

Door wand

196832

Door wand, steel 150 mm work length, Ø 8 mm, with rotary nozzle 360° rotary fan and spraying forward, with flexible guideway hose 1000 mm

16071

Door wand, steel 1100 mm long, Ø 8 mm, with rotary nozzle 360° and spraying forward

1137258

Rigid door wand, steel, 1200 mm long, Ø 8 mm, with radial nozzle 360°, radial and straight jet

1137266

Rigid door wand, steel, 1500 mm long, Ø 8 mm, with radial nozzle 360°, radial and straight jet

1158452

Door wand, steel 2000 mm long, Ø 8 mm, with rotary nozzle 360° and spraying forward

Nylon wand

16105

Nylon wand, flexible, 1500 mm long, Ø 6 mm, with rotary nozzle 360°

11874

Nylon wand, flexible, 1500 mm long, Ø 6 mm, with rotary nozzle 360°, diagonally spraying forward and backward

51185

Nylon wand, semi rigid 1500 mm long, Ø 6 mm, with rotary spray nozzle 360° and spraying diagonal forward and backward

Nylon wand

16113

Nylon wand, flexible, 1300 mm long, Ø 8 mm, with rotary nozzle 360° rotary fan and spraying forward

1058826

Nylon wand, flexible 3000 mm long, Ø 8 mm, with rotary nozzle 360° and spraying forward

Hook wand

11866

Venturi hook wand Ø 5 mm, with flexible guide hose, Venturi spray tube for cavity and surface application



24372

Hook wand Ø 5mm, with flexible guide hose, hook flat nozzle, for cavity and surface application



206904

Venturi hook wand Ø 5 mm, hook nozzle cpl. in 300 mm length, with flexible guide hose, Venturi spray tube, for cavity and surface application

16139

Venturi hook wand, Ø 7 mm, with flexible guiding hose, Venturi spray tube for cavity and surface application



Round spray nozzle

198762

Round spray nozzle for surface application with flexible guide hose for underbody protection

25486

Round spray nozzle for HRS, conn. I

Coupling and connection

16048

SATA quick coupling nipple 1/4" (male thread) for wands

8359

Free passage type quick coupling for HKD1, LM/KK, HRS , connection I

Barrel pump unit for cavity preservation

14555

SATA HKU 60 l barrel pump unit cpl., consisting of piston pump 1:3, with hose pair 10 m, SATAjet 1000 KK spray gun, nylon, door and hook wand



34389

SATA HKU 200 l barrel pump unit, cpl., consisting of piston pump 1:3 with hose pair 10 m, SATAjet 1000 KK spray gun, nylon, door and hook wand

153700

SATAjet 1000 KK RP nozzle 1.5 with paint tube, 1/4" (male thread) with coupling (Art.-No. 8359)



Barrel pump unit for underbody protection

1214874

SATA spray mix underbody protection system 1:22, hose pair 10 m, SATAjet K 1800 spray mix spray gun nozzle 3350, for 60/200 litre tank



128561

SATA spray mix underbody protection system 1:22, hose pair 10 m, SATAjet 3000 K spray mix gun nozzle 3350, for 60/200 ltr. barrel

**Blow Guns / Nozzles**

133306

SATA turbo blow with quick coupling nipple (blow gun)



77586

Special low noise nozzle for SATA blow gun 15180 (blow gun)

26047

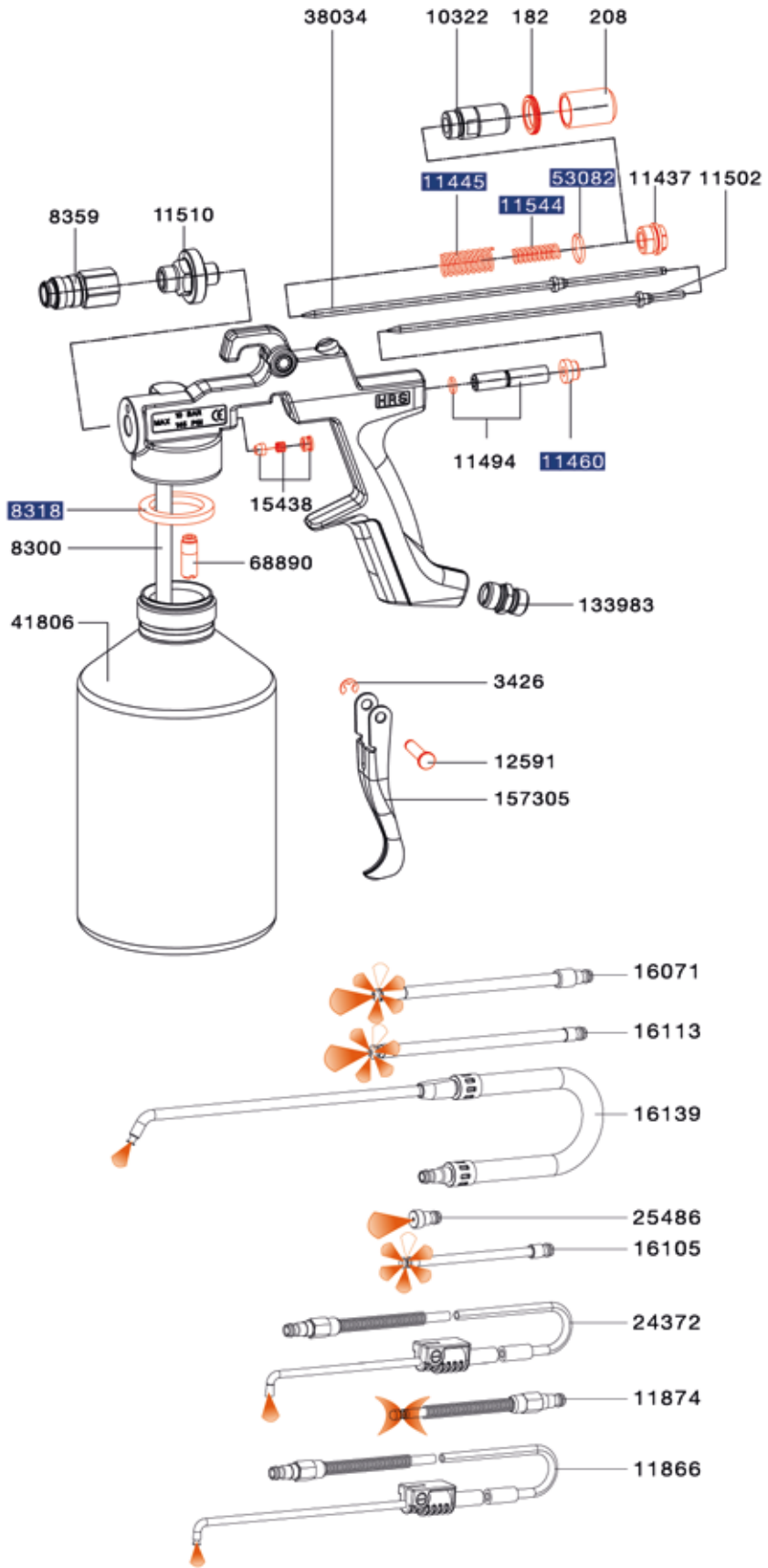
Metal-multi-nozzle M 14x1 for SATA blow gun 15214 (blow gun)

26070

Standard nozzle for SATA blow gun 15156 (blow gun)

Spare parts
SATA HRS

| |
|---|
| 10322 |
| Guide sleeve complete, for HRS with material flow control |
| 11437 |
| Closing screw |
| 11445 |
| Pressure spring for air piston |
| 11460 |
| Air piston |
| 11494 |
| Cam rod HRS, complete with O-ring |
| 11502 |
| Paint needle 1.5 |
| 11510 |
| Mixing cap HRS, completely machined |
| 11544 |
| Pressure spring for paint needle |
| 12591 |
| Bracket bolt |
| 133983 |
| Air connection piece 1/4" male thread |
| 15438 |
| Paint needle packing |
| 157305 |
| Trigger |
| 182 |
| Counter nut |
| 208 |
| Material flow control nut |
| 3426 |
| Safety washer 4 mm DIN 6799 stainless steel for trigger |
| 38034 |
| Paint needle, cpl., for HRS, with needle stroke and minimum passage control |
| 41806 |
| 1.0 l aluminium pressure pot, max. pressure 10 bar/150 psi, cpl. with threaded ring |
| 53082 |
| O-ring |
| 68890 |
| Inflow valve |
| 8300 |
| Suction pipe |
| 8318 |
| Sealing ring |
| 8359 |
| Free passage type quick coupling for HKD1, LM/KK, HRS , connection I |



Repair kit

- 9779
Repair kit SATA HRS until 2009

- 161158
Repair kit SATA HRS as of 2010

- 35204
Wear-and-tear parts kit for HRS

SATA clean RCS

| Technical Data | SATA clean RCS |
|-------------------------|--|
| Width | 31 cm |
| Height | 70,5 cm |
| Depth | 22,5 cm |
| Weight | 10 kg |
| Max. inlet air pressure | 8,0 bar |
| Air consumption | 135 NI/min |
| Air connection thread | 1/2" (male thread) + G1/4" (female thread) |
| Place of installation | inside the spray booth |



SATA clean RCS

145581

SATA clean RCS - the turbo cleaner

Recommended connection accessories (depending on the installation method)

10934

Ball tap (Teflon) 1/2" male thread for air inlet SATA filter series 100, 300, 400, 500 and cleaning devices



13581

SATA quick coupling G 3/8" (female thread)



13623

SATA quick coupling 1/4" (male thread)



13870

SATA air hose, blue, 9mm, 1.2 m with quick coupling, red and nipple



146514

SATA air hose, blue, 13 mm, 0.5 m, G 1/2" (female thread), one connection included for SATA clean RCS



192633

Add-on kit: Suction hose for solvent vapours for SATA clean RCS compact / micro



53090

SATA air hose, blue, 9mm, 10 m with quick coupling, red and nipple



Other accessories/spare parts

146985

Repair kit SATA clean RCS / compact / micro



146993

Splash guard with fixing rivet (each 5 pieces) for SATA clean RCS / compact / micro



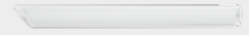
147082

Grounding cable, 3 m, 4 mm²

Other accessories/spare parts

153965

Hose, transparent, 8 x 1, 95 mm, for spray guns with adapter (packing unit 2 pieces) for SATA RCS cleaning devices



189472

Conversion kit external cleaning agent - suction and recirculation for SATA clean RCS / compact / micro



192195

SATA universal spray gun and hose holder for all SATA spray guns



53942

Nipple G 1/4 f. GS respirator, UBE + blow-off gun, size 14



9886

SATA gravity gun holder for gravity cup spray guns



6981

SATA quick coupling nipple G 1/4" (female thread) (packing unit 5 pieces)

1188912

SATA quick coupling nipple G 1/4" (female thread) (pack of 2 pieces)

SPRAY GUNS

CUP SYSTEMS

BREATHING PROTECTION

FILTER TECHNOLOGY

ADDITIONAL PRODUCTS

MERCHANDISING ITEMS

SATA clean RCS compact / micro

| Technical Data | SATA clean RCS compact | SATA clean RCS micro |
|-------------------------|-------------------------|-------------------------|
| Width | 31 cm | 18,5 cm |
| Height | 46,5 cm | 46,5 cm |
| Depth | 22,5 cm | 20,5 cm |
| Weight | 7 kg | 4 kg |
| Max. inlet air pressure | 4,0 bar | 4,0 bar |
| Air consumption | 135 NI/min | 135 NI/min |
| Air connection thread | 1/4" (male thread) | 1/4" (male thread) |
| Place of installation | outside the spray booth | outside the spray booth |



Available versions

| |
|----------------------------------|
| 192518 SATA clean RCS compact |
| 202564 SATA clean RCS micro |

Recommended connection accessories (depending on the installation method)

13870
SATA air hose, blue, 9mm, 1.2 m with quick coupling, red and nipple



192633
Add-on kit: Suction hose for solvent vapours for SATA clean RCS compact / micro



53090
SATA air hose, blue, 9mm, 10 m with quick coupling, red and nipple



Other accessories/spare parts

146985
Repair kit SATA clean RCS / compact / micro

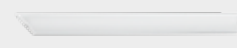


146993
Splash guard with fixing rivet (each 5 pieces) for SATA clean RCS / compact / micro



147082
Grounding cable, 3 m, 4 mm²

153965
Hose, transparent, 8 x 1, 95 mm, for spray guns with adapter (packing unit 2 pieces) for SATA RCS cleaning devices



189472
Conversion kit external cleaning agent - suction and recirculation for SATA clean RCS / compact / micro



6981
SATA quick coupling nipple G 1/4" (female thread) (packing unit 5 pieces)

1188912
SATA quick coupling nipple G 1/4" (female thread) (pack of 2 pieces)

SATA multi clean 2

| Technical Data | SATA multi clean 2 |
|-------------------------|-------------------------|
| Width | 66 cm |
| Height | 100 cm |
| Depth | 38 cm |
| Weight | 30 kg |
| Max. inlet air pressure | 6,0 bar |
| Air consumption | 270 NI/min |
| Air connection thread | G 1/4" (female thread) |
| Place of installation | outside the spray booth |



SATA multi clean 2

38257

SATA multi clean 2 spray gun washing machine with exhaust, 2 fluid containers, trolley, spare filter mat, quick coupling nipple for air connection

Spare parts and accessories

21188

Pressure reducer with gauge 0 - 10 bar for SATA multi-clean 2

26815

Flexible aluminium tube, 5 m long, complete with two tube fittings, for suction unit SATA multi-clean-2

38042

Filter mat for SATA multi clean 2

40840

Cup lid holding for SATA multi clean 2

40907

Spring clasp (packing unit 3 pieces) for SATA multi clean 2

48330

Blow cycle knob with valve, cpl. for SATA multi clean 2

49072

Cleaning agent container with lid for SATA multi clean 2

SATA trueSun

| Technical Data | SATA trueSun |
|-----------------|--------------|
| Net weight | 0,47 kg |
| CRI value | 97 |
| Light Intensity | 22000 lx |
| Operating time | 70 min |
| Charging cycle | 50 min |



Available versions

1006411
SATA trueSun, incl. battery charger and battery, EU



1013094
Storage Case SATA trueSun, incl. foam inlay



1013151
Foam inlay with pinched inlay for storage case SATA trueSun

1007154
Battery charger EU for SATA trueSun



Spare parts**SATA trueSun**

1010082

Battery

1012096

Shock protection

1012137

Protective glass If protective foil is on the glass, please remove before using!



SATA dry jet 2

| | |
|--------------------------------|-----------------------|
| Technical Data | SATA dry jet 2 |
| Weight | 0,432 kg |
| Air consumption | 270 NI/min |
| Recommended air inlet pressure | 2,5 bar |
| Max. operating pressure | 10,0 bar |



Available versions

217489
SATA dry jet 2 blow gun



SATA dry jet stand (adjustable height: 30 - 190 cm)

223008
SATA dry jet 2 stand with height-adjustable bracket, 2 blow guns



84145
Height extension approx. 120 cm, stainless steel for SATA dry jet stand

SPRAY GUNS

CUP SYSTEMS

BREATHING PROTECTION

FILTER TECHNOLOGY

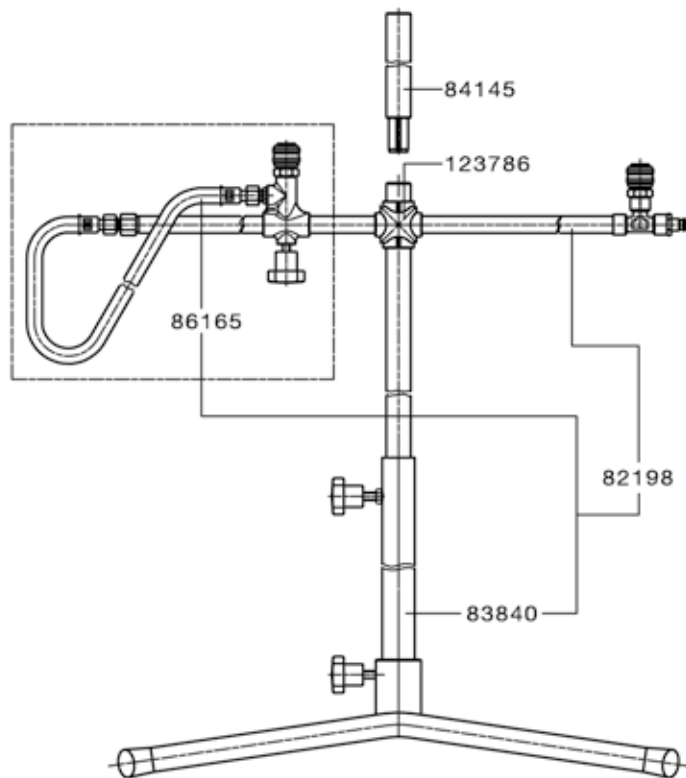
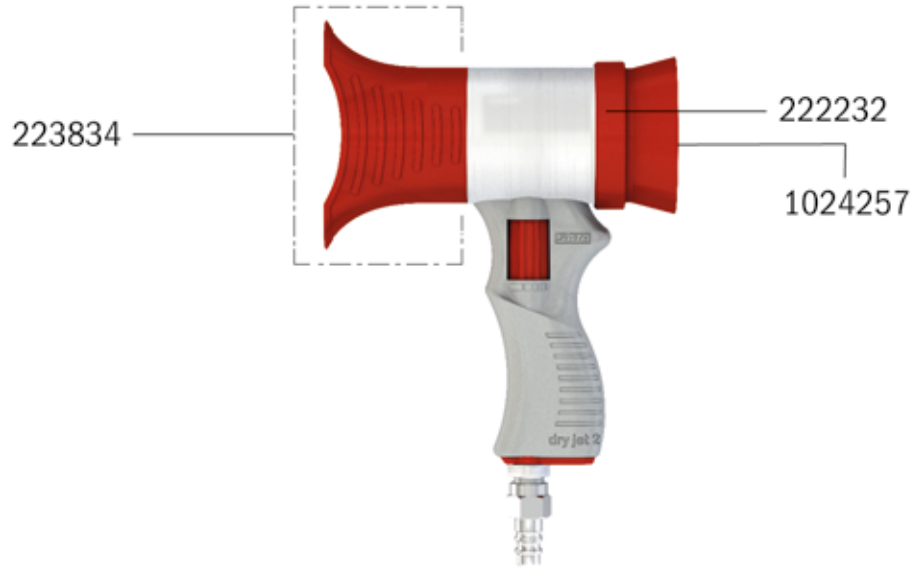
ADDITIONAL PRODUCTS

MERCHANDISING ITEMS

Spare parts

SATA dry jet 2

| |
|---|
| 1024257 |
| Spare flat sieve 200 µm, pastel green (packing unit 10 pieces) |
| 123786 |
| Cross piece, cpl. for dry-jet 2 |
| 222232 |
| Filter holder |
| 223834 |
| Flat fan nozzle |
| 82198 |
| Stand for SATA dry jet without blow guns |
| 83840 |
| Stand, complete, for Vario-Top-Spray and dry-jet, can be disassembled |
| 84145 |
| Height extension approx. 120 cm, stainless steel |
| 86165 |
| Conversion kit for SATA dry jet, adjustable version |



SATA hoses

Breathing air hoses, complete

| | |
|--------|---|
| 49080 | SATA Safety compressed air supply hose Ø 10 mm, 6 m long, for SATA breathing protection systems |
| 176792 | SATA safety compressed air supply hose Ø 10mm, 10 m long for SATA breathing protection systems |
| 180851 | SATA safety compressed air supply hose Ø 10mm, 40 m long for SATA breathing protection systems |

Air hoses, complete

| | |
|--------|--|
| 37655 | SATA air hose, blue, 9 mm, 6 m with quick coupling, red and nipple |
| 195420 | SATA air hose, blue, 9 mm, 7.5 m with quick coupling, red and nipple |
| 53090 | SATA air hose, blue, 9mm, 10 m with quick coupling, red and nipple |
| 189068 | SATA air hose, blue, 9 mm, 15 m with quick coupling, red and nipple |
| 9902 | SATA air hose, blue, 9 mm, 10 m long, G 1/4" (female thread) |
| 51300 | SATA air hose, blue, 13 mm, 10 m long, G 1/2" (female thread) for SATA vario top spray and FDG with 2. spray gun outlet |
| 4754 | SATA air hose, 6 mm, 10 m long with quick coupling and nipple |
| 13870 | SATA air hose, blue, 9mm, 1.2 m with quick coupling, red and nipple |
| 54353 | SATA PVC air hose, 2 m long with mini quick coupling, nipple with G 1/4" (female thread), quick coupling nipple for SATA-minijet 4400 B and 3000 B, jet 20 B |
| 32987 | SATA PVC compressed air hose, transparent, 3 m long with G 1/4" (female thread), mini quick coupling and nipple for SATAjet 20 B |
| 134791 | SATA Fibre air hose, 2.5 m long with G 1/4" (female thread), mini quick coupling for SATAglyph 1 / 2 / 3 (jet 20 B) |

Hose pairs for SATA paint pressure tanks and SATA vario top spray

| | |
|--------|--|
| 147520 | SATA hose pair 9 x 9 mm, 6 m, with covering fabric netting, G 3/8" and G 1/2" (material), G 1/4" (air) (female thread) for SATA FDG and vario top spray |
| 147512 | SATA hose pair 9 x 9 mm, 10 m, with covering fabric netting, G 3/8" and G 1/2" (material), G 1/4" (air) (female thread) for SATA FDG and vario top spray |
| 147504 | SATA hose pair 9 x 9 mm, 15 m, with covering fabric netting, G 3/8" and G 1/2" (material), G 1/4" (air) (female thread) for SATA FDG and vario top spray |
| 19869 | SATA hose pair 9 x 9 mm, 1.5 m, G 3/8" and G 1/4" (material), G 1/4" (air) (female thread) for SATA mini set 2 |
| 77834 | SATA hose pair 9x9mm, 6m, with covering fabric netting, G3/8" and G1/2" (mat., stainless steel), G1/4" (air) (female) SATA FDG + vario top spray |
| 77842 | SATA hose pair 9x9mm, 10m, with covering fabric netting, G 3/8" and G 1/2" (mat., stainless steel), G 1/4" (air) (female) SATA FDG+vario top spray |
| 77859 | SATA hose pair 9x9mm, 15m, with covering fabric netting, G 3/8" and G 1/2" (material, stainless steel), G 1/4" (air) SATA FDG and vario top spray |
| 160994 | Protective Sleeve for hose pair individual 6m |
| 161000 | Protective Sleeve for hose pair individual 10m |
| 161018 | Protective Sleeve for hose pair individual 15m |
| 7047 | Hose clips (10 pieces) for air hose and material hoses, 9 mm |

Hose pairs for SATA material pressure tanks and SATAminijet 1000 K

| | |
|--------|---|
| 187708 | SATA hose pair 6 x 6 mm, 3 m, G 1/4" (female thread) (material and air) for SATA mini set 2 |
| 187716 | SATA hose pair 6 x 6 mm, 6 m, G 1/4" and G 1/2" (material), G 1/4" (air) (female thread) for SATA FDG / SATA vario top spray |
| 187724 | SATA hose pair 6 x 6 mm, 10 m, G 1/4" and G 1/2" (material), G 1/4" (air) (female thread) for SATA FDG / SATA vario top spray |
| 187732 | SATA hose pair 6 x6 mm, 15 m, G 1/4" and G 1/2" (material), G 1/4" (air) (female thread) for SATA FDG / SATA vario top spray |

Hose pairs and duo hoses for SATA spray mix units

| | |
|---------|---|
| 19984 | SATA spray mix hose pair, 6 x 4 mm, 5 m, G 1/4" (female thread) (material and air) |
| 19992 | SATA spray mix hose pair, 6 x 4 mm, 10 m, G 1/4" (female thread) (material and air) |
| 20008 | SATA spray mix hose pair, 6 x 4 mm, 15 m, G 1/4" (female thread) (material and air) |
| 1006099 | SATA spray mix hose pair, 6 x 4 mm, 15 m long, material connection M16x1.5 (female thread), air connection G 1/4" (female thread) |
| 1006081 | SATA spray mix hose pair, 6 x 4 mm, 10 m long, material connection M16x1.5 (female thread), air connection G 1/4" (female thread) |
| 1006106 | SATA spray mix hose pair, 6 x 4 mm, 5 m long, material connection M16x1.5 (female thread), air connection G 1/4" (female thread) |

Air hoses, unassembled

| | |
|-------|---------------------------------|
| 50252 | SATA air hose, blue, 9 mm, 6 m |
| 50591 | SATA air hose, blue, 9 mm, 10 m |
| 50641 | SATA air hose, blue, 9 mm, 15 m |

Material hoses, unassembled

| | |
|-------|--------------------------------|
| 49155 | SATA material hose, 9 mm, 6 m |
| 49999 | SATA material hose, 9 mm, 10 m |
| 50161 | SATA material hose, 9 mm, 15 m |

Components for the quick coupling system

| | |
|---------|---|
| 13508 | Nipple 3/8" (male thread) for SATA quick coupling |
| 13516 | Nipple G 3/8" (female thread) for SATA quick coupling |
| 13524 | Nipple 1/8" (male thread) for SATA quick coupling |
| 13557 | Hose olive 9 mm for air quick coupling |
| 13565 | Connection piece 103/6 f. SATA quick coupling 103/6 f. 6 mm inside dia. |
| 13581 | SATA quick coupling G 3/8" (female thread) |
| 13599 | SATA quick coupling G 1/4" (female thread) |
| 13607 | SATA quick coupling G 3/8" (male thread) |
| 13615 | SATA quick coupling 1/2" (male thread) |
| 13623 | SATA quick coupling 1/4" (male thread) |
| 13631 | SATA quick coupling, red, with hose olive 9 mm |
| 13649 | SATA quick coupling with hose olive 6 mm |
| 53942 | Nipple G 1/4 f. GS respirator, UBE + blow-off gun, size 14 |
| 7237 | SATA quick coupling, red with hose olive 9mm and quick coupling nipple G 1/4" (female thread) (each 2 pieces) |
| 6981 | SATA quick coupling nipple G 1/4" (female thread) (packing unit 5 pieces) |
| 1188912 | SATA quick coupling nipple G 1/4" (female thread) (pack of 2 pieces) |

Paint suits

SATA suit Standard Ladies

1202613

SATA suit Standard Ladies, size XS, polyester



1202621

SATA suit Standard Ladies, size S, polyester

1202639

SATA suit Standard Ladies, size M, polyester

1202647

SATA suit Standard Ladies, size L, polyester

SATA suit Standard Men

1202522

SATA suit Standard Men, size S, polyester



1202530

SATA suit Standard Men, size M, polyester

1204487

SATA suit Standard Men, size L, polyester

1202548

SATA suit Standard Men, size XL, polyester

1202556

SATA suit Standard Men, size XXL, polyester

1202564

SATA suit Standard Men, size 3XL, polyester

SATA suit Basic

1196163

SATA suit Basic, size S, polyester



1202481

SATA suit Basic, size M, polyester

1202499

SATA suit Basic, size L, polyester

1202506

SATA suit Basic, size XL, polyester

1202514

SATA suit Basic, size XXL, polyester

SATA suit race ladies

1154020

SATA suit race ladies, size XS 98% polyester 2% carbon



1154038

SATA suit race ladies, size S 98% polyester 2% carbon

1154046

SATA suit race ladies, size M 98% polyester 2% carbon

1154054

SATA suit race ladies, size L 98% polyester 2% carbon

1154062

SATA suit race ladies, size XL 98% polyester 2% carbon

SATA suit race

184267

SATA suit race, size S (42/44), 98% Polyester, 2% Carbon, MID: DEHBP5658THA



184275

SATA suit race, size M (46/48), 98% Polyester, 2% Carbon, MID: DEHBP5658THA

184283

SATA suit race, size L (50/52), 98% Polyester, 2% Carbon, MID: DEHBP5658THA

184291

SATA suit race, size XL (54/56), 98% Polyester, 2% Carbon, MID: DEHBP5658THA

184309

SATA suit race, size XXL (58/60), 98% Polyester, 2% Carbon, MID: DEHBP5658THA

PREMIUM SPRAY GUNS

SATA



Merchandising items

Merchandising items

235481
SATA gym bag, anthracite



235416
SATA luggage compartment bag, black



235440
SATA travel makeup bag



235507
SATA backpack, black



235465
SATA magnetic car mount for Smartphones



235390
SATA 2-in-1 key ring cable with charging and data transfer function



235432
SATA Powerbank incl. micro-USB-cable and battery



Merchandising items

235473

SATA cleaner (mousepad, display and lens)



234849

SATA Zippo lighter with PHASER motif



235499

SATA RPS cup, China white, 340 ml



1197244

SATA key ring, jet X DIGITAL pro



1173294

SATA key ring, SATAjet X 5500 PHASER



1160837

SATA Hoodie, grey, size S, cotton, version Vintage



1160853

SATA Hoodie, grey, size M, cotton, version Vintage

1160861

SATA Hoodie, grey, size L, cotton, version Vintage

1160879

SATA Hoodie, grey, size XL, cotton, version Vintage

1161257

SATA Hoodie, grey, size XXL, cotton, version Vintage

184366

SATA T-shirt, black, size S, 100% cotton



SPRAY GUNS

CUP SYSTEMS

BREATHING PROTECTION

FILTER TECHNOLOGY

ADDITIONAL PRODUCTS

MERCHANDISING ITEMS

Merchandising items

184374
SATA T-Shirt, black, size M, 100% cotton

184382
SATA T-Shirt, black, size L, 100% cotton

184390
SATA T-Shirt, black, size XL, 100% cotton

184408
SATA T-Shirt, black, size XXL, 100% cotton

184317
SATA Polo, black, size: S, 100% cotton



184325
SATA Polo, black, size: M, 100% cotton

184333
SATA Polo, black, size: L, 100% cotton

184341
SATA Polo, black, size: XL, 100% cotton

184358
SATA Polo, black, size: XXL, 100% cotton



SATA

SATA GmbH & Co. KG
Domertalstraße 20
70806 Kornwestheim
Germany
Tel. +49 7154 811-200
Fax +49 7154 811-194
E-Mail: export@sata.com
www.sata.com