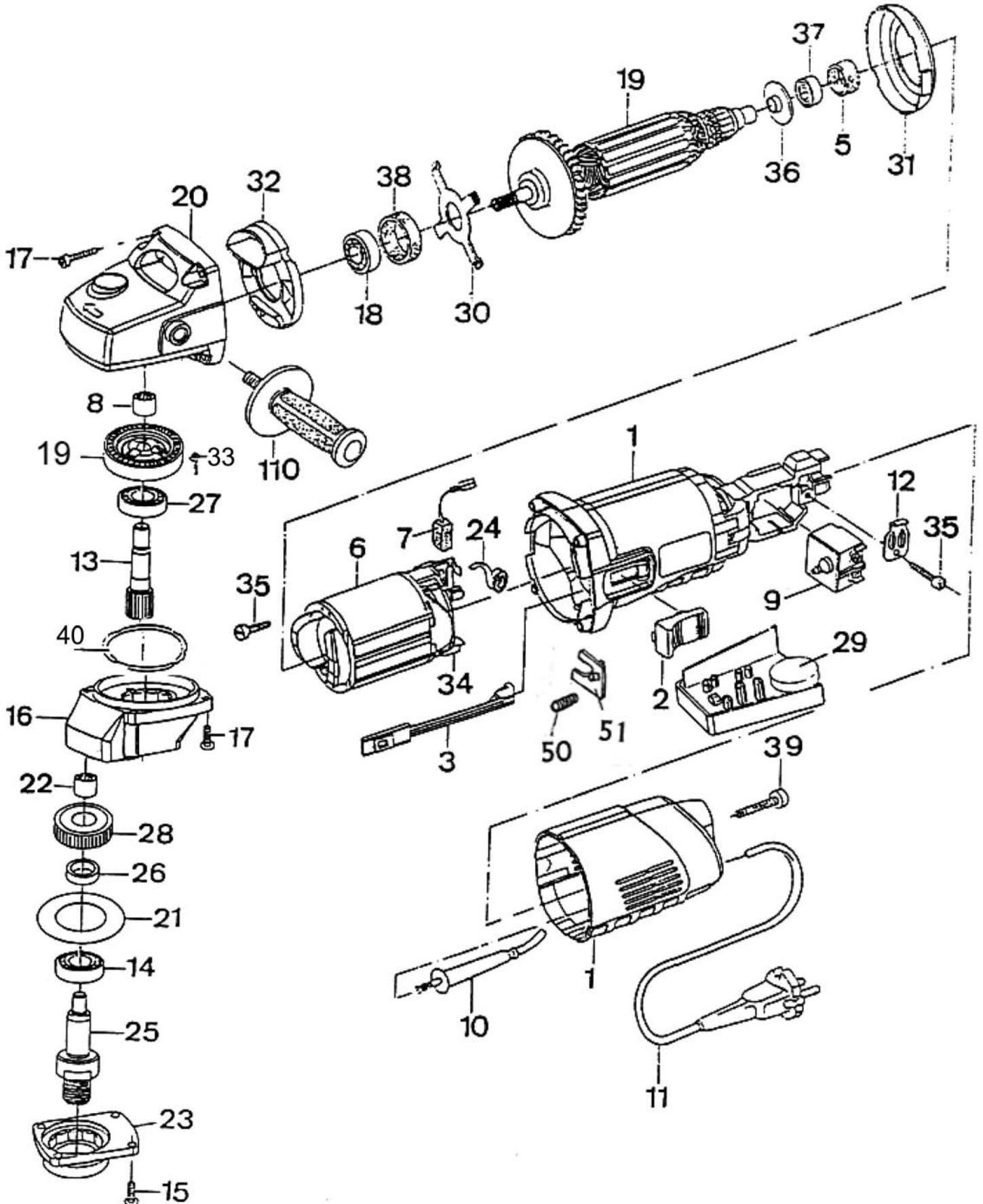


Electric Right Angle Polisher

Model:
51615 — 800-1,800 RPM

Electric Motor and Machine Parts



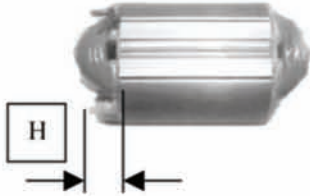
DYNABRADE Electrical Polisher Model No. 51615

SPARE PARTS LIST

ITEM	P/N	DESCRIPTION	DENOMINACION	DENOMINATION
1	42800	Red motor cover	Cubierta motor	Couvercle moteur red
2	42801	Switch control button	Mando interruptor	Bouton interrupter
3	42802	Switch control	Palanca interruptor	Leiver interrupter
5	42803	Rubber Ring	Anillo goma	Baque caoutxouc
6	42804	Field 230V	Estator 230V	Stator 230V
7	42805	Brush 4,8mm	Escobilla 4,8mm	Balai 4,8mm
8	42806	Needle bushing	Casquillo agujas	Douille à aiguilles
9	42807	Switch	Interruptor	Interrupteur
10	42808	Sleeve	Manguito	Manchon
11	42809	Power cord	Cable red	Câble prise courant
12	42810	Cable fastening clamp	Brida fijar cable	Bride fixation câble
13	42811	Spindle	Eje dentado	Broche
14	42812	Ball bearing 6001-2RS	Rodamiento 6001-2RS	Roulement 6001-2RS
15	42813	Screw M4x12	Tornillo M4x12	Vis M4x12
16	42814	Gear cover	Plato	Plateau
17	42815	Screw 4x19 PZ Zng	Tornillo 4x19 PZ Zng	Vis 4x19 PZ Zng
18	42816	Ball bearing 609-ZZC3	Rodamiento 609-ZZC3	Roulement 609-ZZC3
19	42817	Kit Armature+wheel 230V	Grupo Inducido+rueda 230V	Group Induit+roue 230V
20	42818	Gear box	Cabezal	Carter
21	42819	Washer	Muelle platillo	Rondelle
22	42820	Needle Bushing	Casquillo agujas HK0810	Douille à aiguilles
23	42821	Cover plate	Tapa plato	Couvercle plateau
24	42822	Brush spring	Muelle escobilla	Ressort balai
25	42823	Disc spindle	Eje portadisco	Broche portedisque
26	42824	Bushing	Casquillo	Douille
27	42825	Ball bearing 6000 ZZ TN9	Rodamiento 6000 ZZ TN9	Roulement 6000 ZZ TN9
28	42826	Gear	Engranaje	Engrenage
29	42827	Condenser group	Gropo condensador	Groupe condensateur
30	42828	Ball bearing cover	Tapa rodamiento	Couvercle roulement
31	42829	Air guide	Guia aire	Guide d' air
32	42830	Air deflector	Deflector aire	Air deflector
33	42831	Screw M4X8 DIN7500C	Tornillo M4X8 DIN7500C	Vis M4X8 DIN7500C
34	42832	Brush holder 4,8mm	Portaescobillas 4,8mm	Porte-balais 4,8mm
35	42833	Screw 3,5X14TP	Tornillo 3,5X14TP	Vis 3,5X14TP
36	42834	Obturator	Obturador lado colector	Obturateur
37	42835	Ball bearing 607-2Z	Rodamiento 607-2Z	Roulement 607-2Z
38	42836	Rubber ring	Anillo goma	Baque caoutxouc
39	42837	Screw M4x16 TP	Tornillo M4x16 TP	Vis M4x16 TP
40	42838	Compensating washer	Arandela compensacion	Roudelle compensation
50	42840	Spring	Muelle	Ressort
51	42841	Spring Support	Soporte muelle	Support ressort
110	42842	Aux. handle	Pūno auxiliar	Poingnee auxiliaire

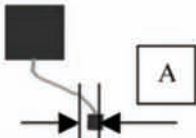


**FIELD
ITEM 6**



P/N	H
42804	13mm

**CARBON
ITEM 7**



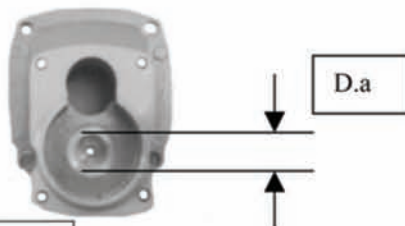
P/N	A
42805	4.8mm

**SPINDLE
ITEM 13**



P/N	Z
42811	10

**GEAR COVER
ITEM 16**



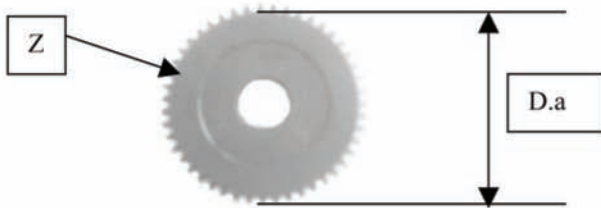
P/N	D.a
42814	12mm

**DISC SPINDLE
ITEM 25**



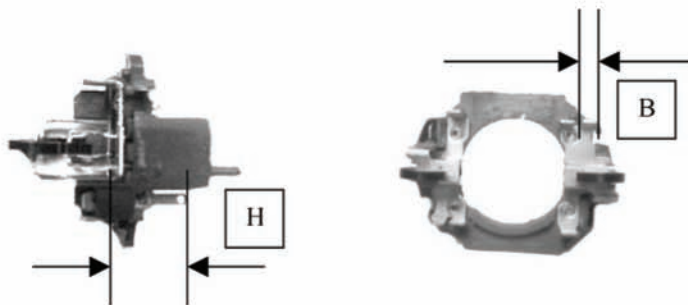
P/N	D.a
42823	8mm

**GEAR WHEEL
ITEM 28**



P/N	Z	D.a
42826	21	28,5mm

**BRUSH HOLDER
ITEM 34**



P/N	B	H
42832	4.8mm	18mm